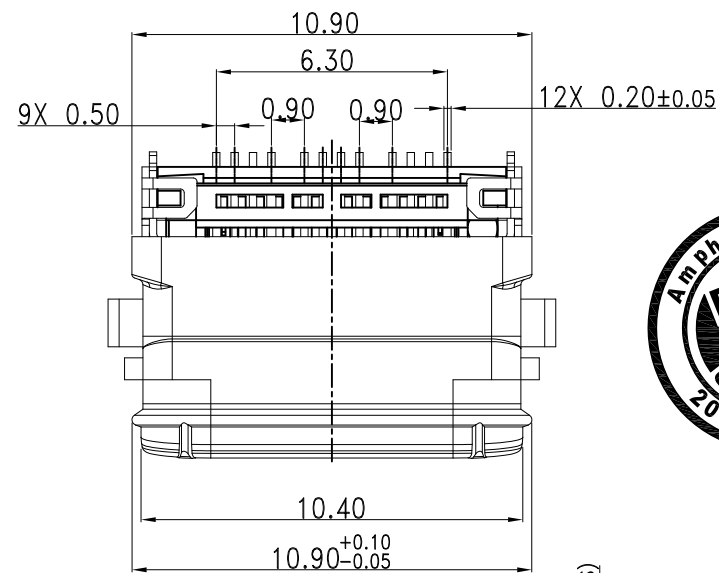


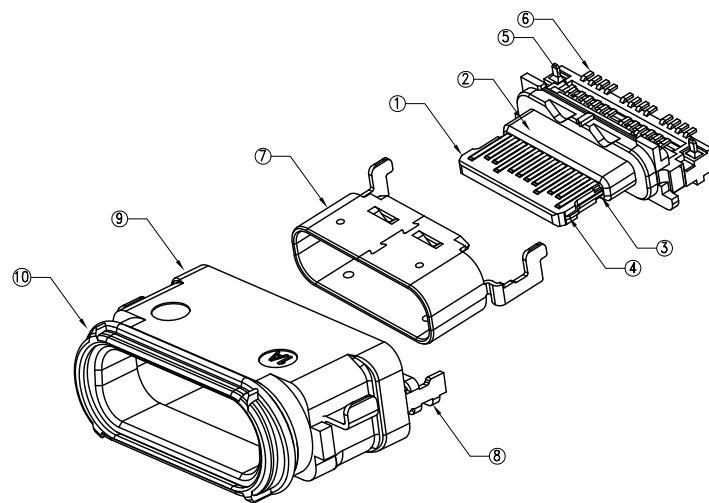
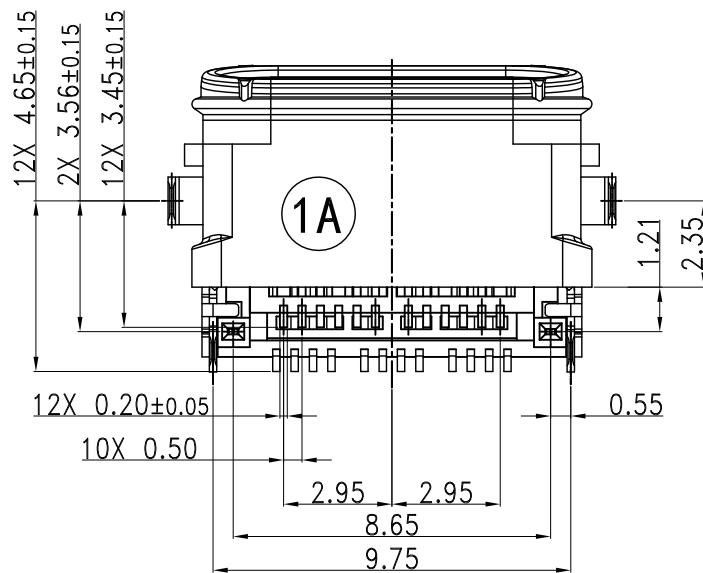
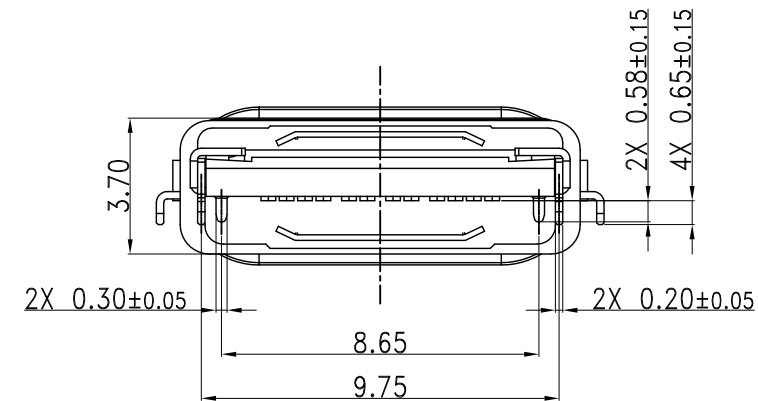
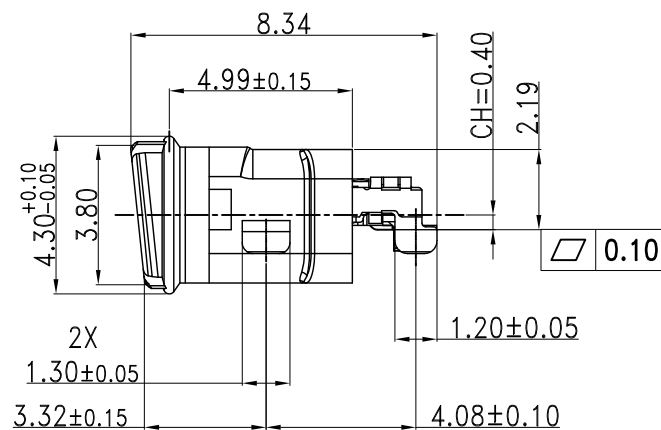
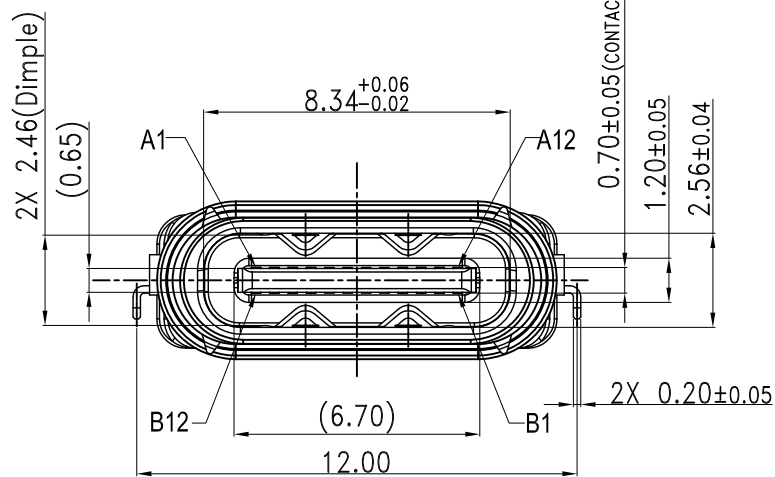
REV.	ECN.NO.	MODIFY.CONTENT	DATE
X2	1805XXXX	MODIFY NOTE DESCRIPTION	05/08/2018
X3	1806XXXX	MODIFY THE PROTRUDING	06/21/2018
X4	1806XXXX	Update plating specifications	07/31/2018



Pin No	Signal Name	Mating Sequence	Pin No	Signal Name	Mating Sequence
A1	GND	First	B12	GND	First
A2	TX1+	Second	B11	RX1+	Second
A3	TX1-	Second	B10	RX1-	Second
A4	Vbus	First	B9	Vbus	First
A5	CC1	Second	B8	SBU2	Second
A6	D+	Second	B7	D-	Second
A7	D-	Second	B6	D+	Second
A8	SBU1	Second	B5	CC2	Second
A9	Vbus	First	B4	Vbus	First
A10	RX2-	Second	B3	TX2-	Second
A11	RX2+	Second	B2	TX2+	Second
A12	GND	First	B1	GND	First
SHELL	GND		SHELL	GND	

Notes:

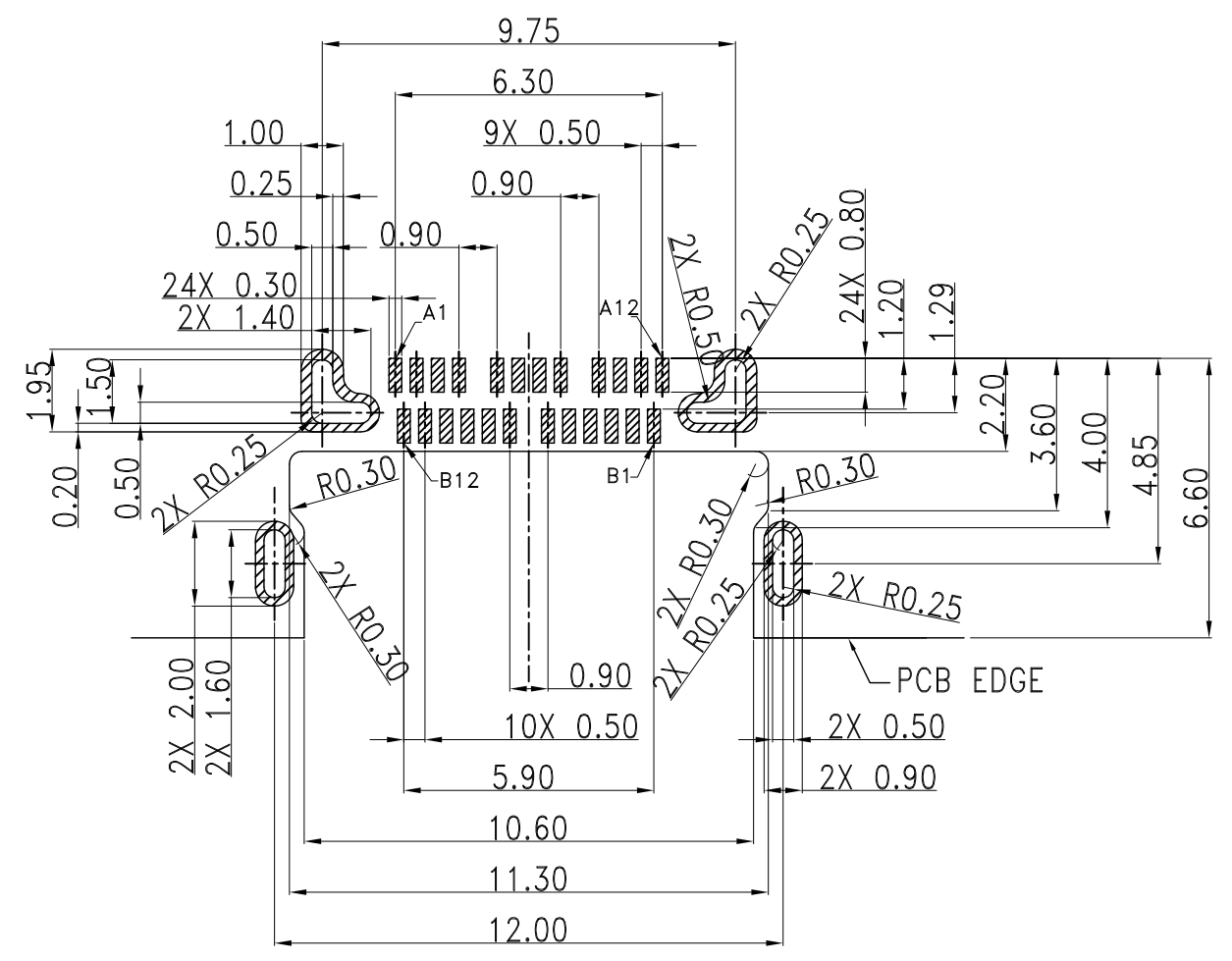
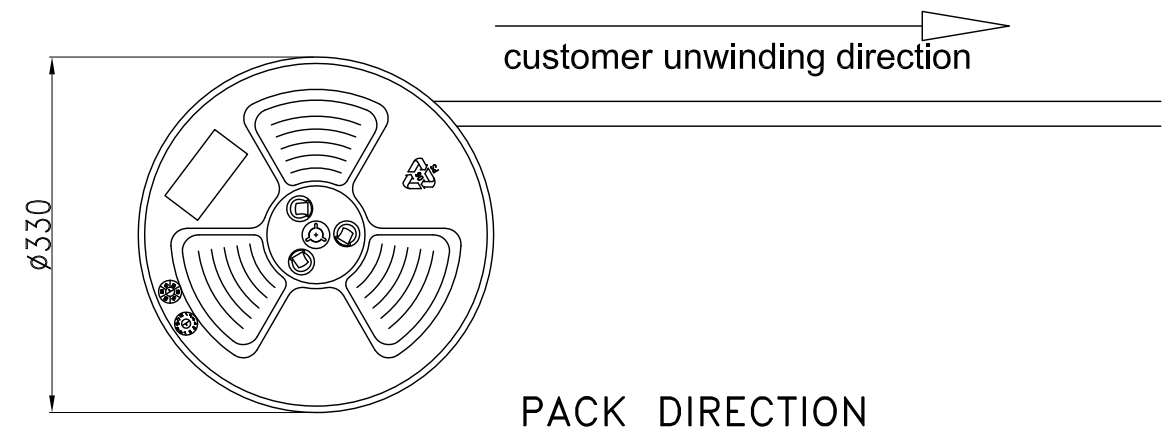
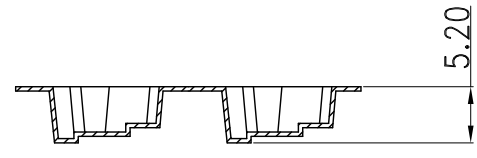
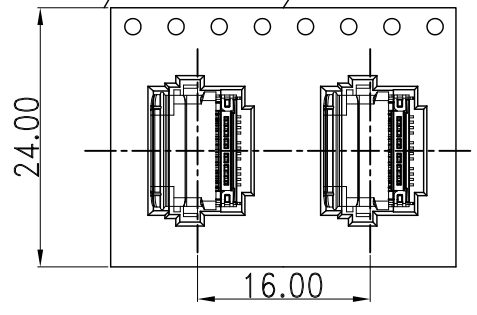
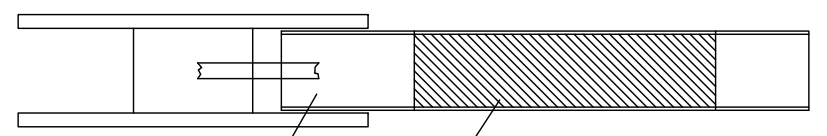
- 1.Material:SEE BILL OF MATERIAL
- 2.Part Number:124019032112A
- 3.Tongue position:0.12mm Max.
- 4.Waterproof level: IP65
- 5.No burrs are allowed on the contact area and solder tail area,the maximum allowed stamping burr is 0.05mm unless otherwise.
- 6.Specification
  - Operation Temperature: -40°Cto +85°C
  - Voltage Rating: 30V AC RMS
  - Insulation Resistance: Initial 1000 MΩ Min.  
100 MΩ after environment test
  - Soldering Heat Resistance: 260°C
  - Durability: 10,000 Cycles
  - Mating force : 5N~20N
  - Un-mating force:6N~20N



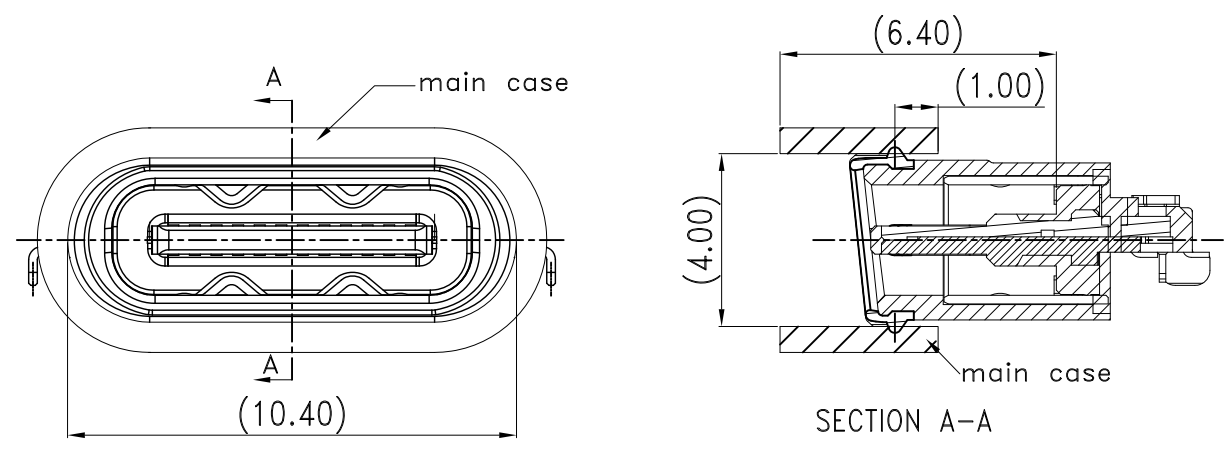
ITEM	DESCRIPTION	Q'TY	MATERIAL	FINISH
10	LIM	1	SILICA GEL	BLACK
9	SOLDER PIN	1	STAINLESS STEEL	SOLDER NICKEL: 50U" MIN
8	SHELL HOUSING	1	High-TEMP. PLASTIC	BLACK
7	SHELL	1	STAINLESS STEEL	SOLDER NICKEL: 50U" MIN
6	TOP TERMINAL	1	COPPER ALLOY	MATING SIDE:30u" AU MIN; SOLDER TAIL:GOLD FLASH, 50u" NICKEL OVERALL.
5	BOTTOM TERMINAL	1	COPPER ALLOY	MATING SIDE:30u" AU MIN; SOLDER TAIL:GOLD FLASH, 50u" NICKEL OVERALL.
4	MID PLATE	1	STAINLESS STEEL	SOLDER NICKEL: 50U" MIN
3	TOP HOUSING	1	High-TEMP. PLASTIC	BLACK
2	BOTTOM HOUSING	1	High-TEMP. PLASTIC	BLACK
1	MAIN HOUSING	1	High-TEMP. PLASTIC	BLACK
BILL OF MATERIAL				

GENERAL	TOLERANCE	FILE.NO.	C12401903	PART.NO.	124019032112A	DRAWN	Dave.Ye	MATERIAL	SCALE	1:1	
X.±0.50	x.°±5°	REV.	X4	TITLE	USB TYPE C CONNECTOR (WATERPROOF)	CHECKED	Weison.Lu	DATE	2018/07/31	UNIT	MM
.X±0.38	.x°±2°	SIZE		SHEET	1/2	APPROVED	Tom	Amphenol Shouhmin Industry			
.XX±0.25	.xx±1°	A4									

REV.	ECN.NO.	MODIFY.CONTENT	DATE



RECOMMENDED PCB LAYOUT  
(Tolerance=±0.05)



PANEL CUT-OUT REFERENCE

GENERAL	TOLERANCE	FILE.NO.	<b>C12401903</b>	PART.NO.	<b>124019032112A</b>	DRAWN	<b>Dave.Ye</b>	MATERIAL		SCALE	<b>1:1</b>
X.±0.50	x.°± 5°	REV.	<b>X4</b>	TITLE	<b>USB TYPE C CONNECTOR (WATERPROOF)</b>	CHECKED	<b>Weison.Lu</b>	DATE	<b>2018/07/31</b>	UNIT	<b>MM</b>
.X±0.38	.x°± 2°	SIZE		SHEET	<b>2/2</b>	APPROVED	<b>Tom</b>	Amphenol Shouhmin Industry			
.XX±0.25	.xx± 1°	A4									