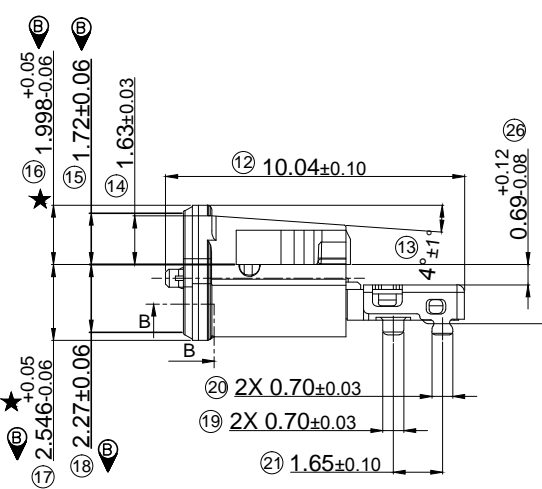
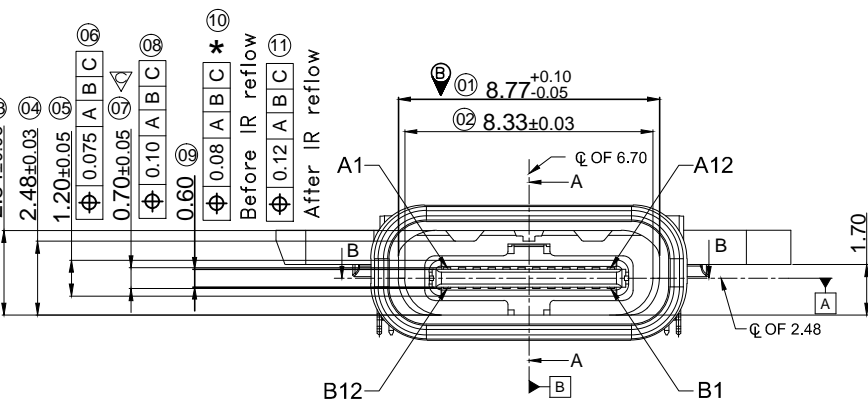
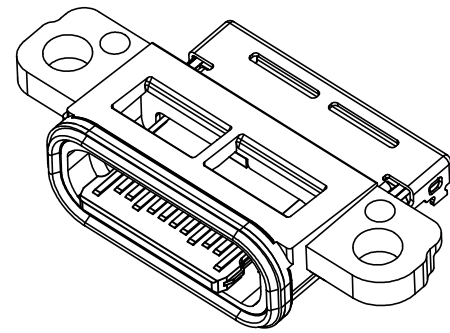
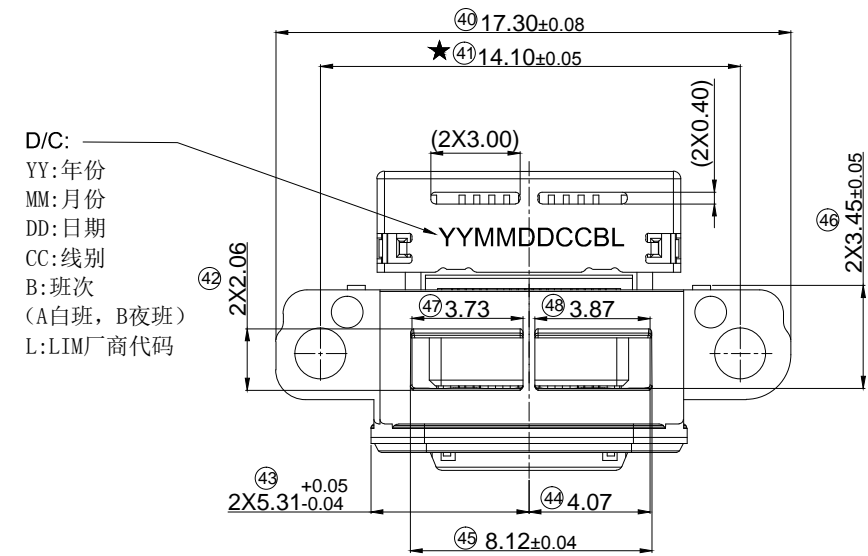
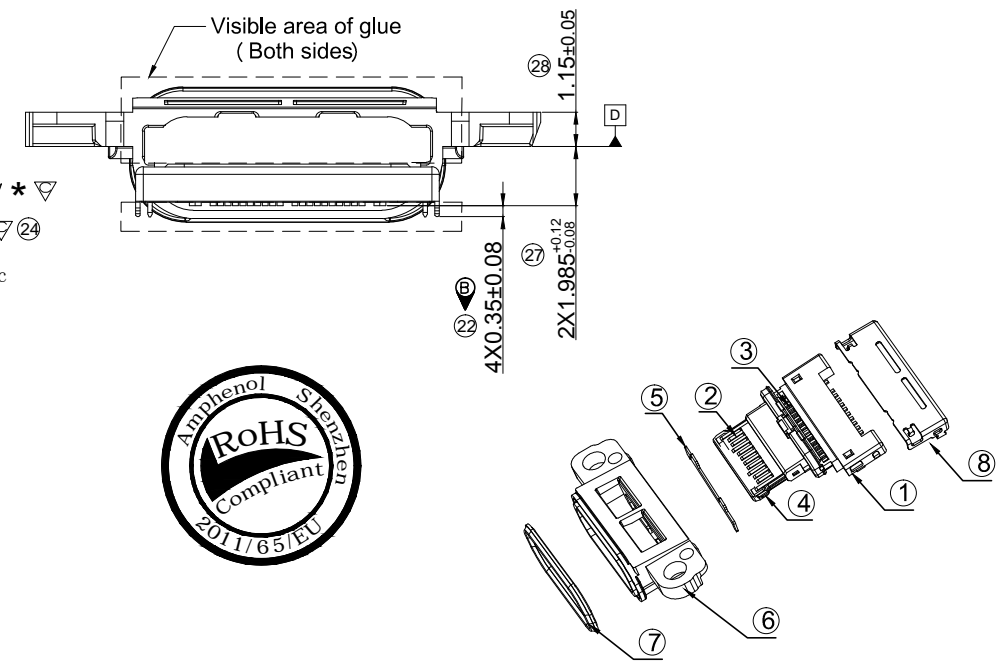
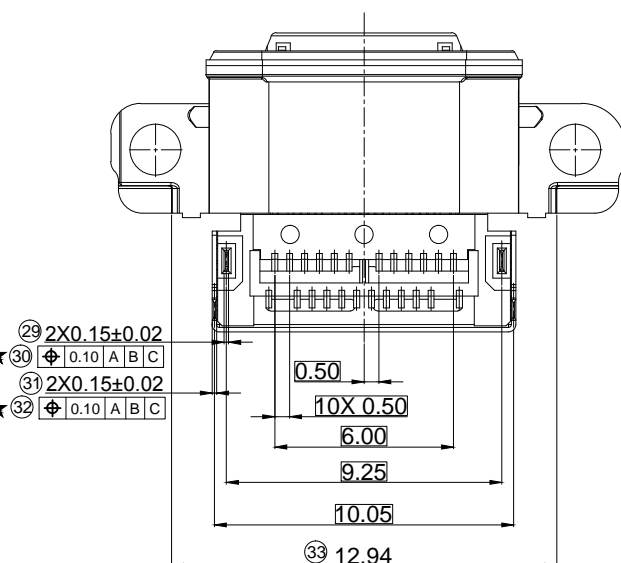
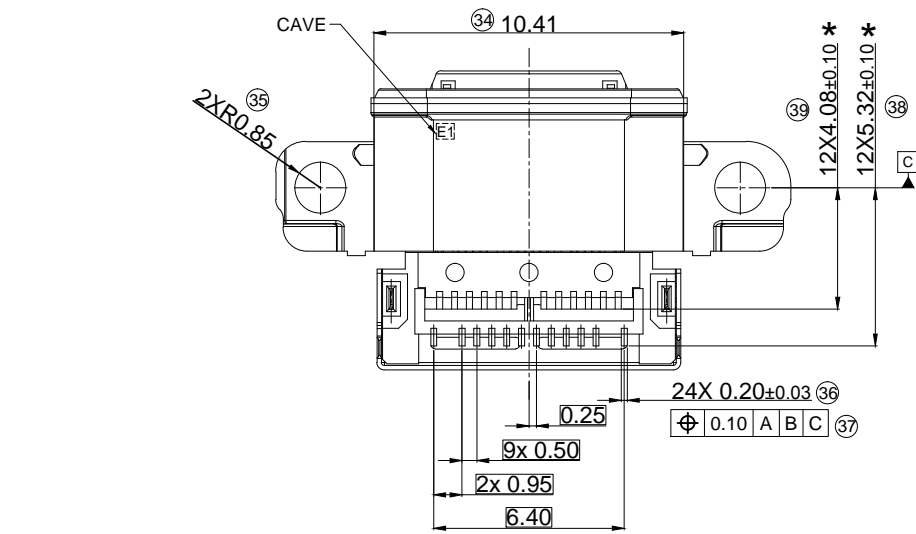


REV	ECN.NO.	MODIFY.CONTENT	DATE
A	18070002	NEW RELEASE	2018.8.06
B	18080008	③ 2.72±0.05 更改为 2.72±0.05 ④ 1.72±0.05 更改为 1.72±0.05 ⑤ 2.54±0.05 更改为 2.54±0.05 ⑥ 2.27±0.05 更改为 2.27±0.05 ⑦ 0.45±0.04 更改为 0.45±0.05 ⑧ 2.36±0.08 修改标注 0.35±0.08 删除尺寸	2018.08.28



NOTE/注释:
 1. SPECIFICATION/规格:
 1.1 Rated current (额定电流): 6.0 A For VBus Pin and Gnd Pin
 1.0 A For SBU1/SUB2
 0.25A For Other Pin
 1.2 Voltage rating (额定电压): 30V AC
 1.3 Contact Resistance (接触阻抗): 40 m Ω Max.
 1.4 Insulation Resistance (绝缘阻抗): 1000MΩ Min.
 1.5 Withstanding voltage (耐电压): 500 VAC/minute
 1.6 Mating force (插入力): 5~20N.
 1.7 Unmating force (拔出力): 8~20N.
 1.8 Operating temperature (工作温度): -40°~+85°
 1.9 Material should be fulfilled Amphenol spec# SSN002 AND Customer Requirements, for halogen free products, Also need to meet SSN004
 材料应满足安费诺规格# SSN002和客户需求、无卤产品还需要满足SSN004
 2.0 Dimension marked ★ should be checked by QC and process. Marked ▽ Should also check the CPK (CPK>=1.33) data. 如果有尺寸有标记★号需要QC进行检验。如果有加注▽需要测量CPK(CPK>=1.33)尺寸。
 2.1 Dimension marked * 100% CCD checked. 如果有尺寸有标记* 需要100% CCD 检验。

Pin No	Signal Name	Mating Sequence	Pin No	Signal Name	Mating Sequence
A1	GND	First	B12	GND	First
A2	TX1+	Thirdly	B11	RX1+	Thirdly
A3	TX1-	Thirdly	B10	RX1-	Thirdly
A4	Vbus	Second	B9	Vbus	Second
A5	CC1	Thirdly	B8	SBU2	Thirdly
A6	D+	Thirdly	B7	D-	Thirdly
A7	D-	Thirdly	B6	D+	Thirdly
A8	SBU1	Thirdly	B5	CC2	Thirdly
A9	Vbus	Second	B4	Vbus	Second
A10	RX2-	Thirdly	B3	TX2-	Thirdly
A11	RX2+	Thirdly	B2	TX2+	Thirdly
A12	GND	First	B1	GND	First
SHELL	GND		SHELL	GND	

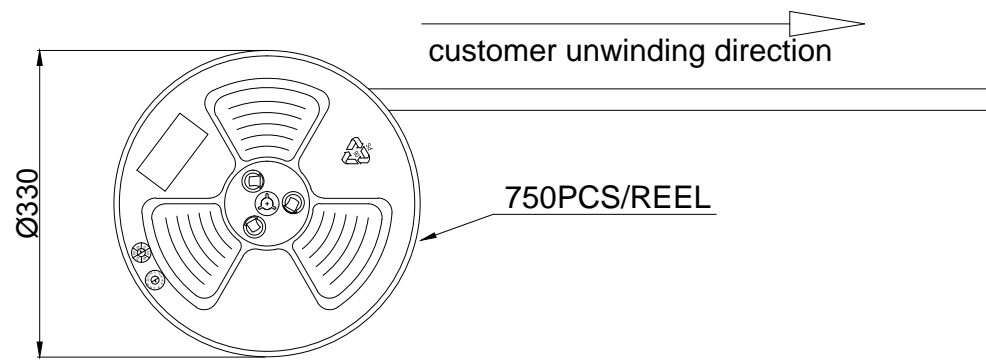
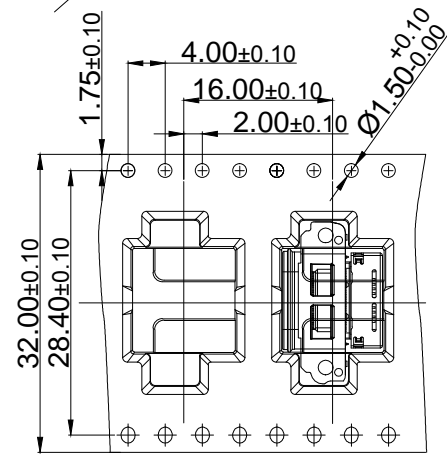
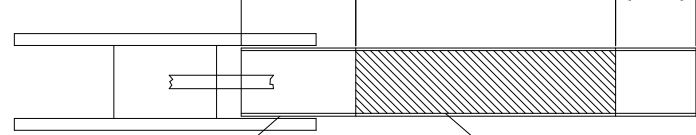


ITEM	DESCRIPTION	QTY	MATERIAL	FINISH
9	GLUE	1	EPOXY RESIN	BLACK
8	BACK SHELL	1	SUS316L	SOLDER NICKEL: 50U" MIN
7	LIM	1	LR_3070_60A/B	BLACK
6	MIM	1	MIM17-4PH	CLEANING
5	SHELL	1	SUS301-H	CLEANING
4	MD PLATE	1	SUS301-H	SOLDER NICKEL: 50U" MIN
3	BOTTOM TERMINAL	1	C1814-SH	MATING SIDE: Au30u"MIN; INCLUDING SIDE AND BOTTOM SIDE: Au3u"MIN; SOLDER TAIL: Au3-8u", 80-150u" NICKEL OVERALL.
2	TOP TERMINAL	1	C1814-SH	MATING SIDE: Au30u"MIN; INCLUDING SIDE AND BOTTOM SIDE: Au3u"MIN; SOLDER TAIL: Au3-8u", 80-150u" NICKEL OVERALL.
1	MAIN HOUSING	1	PA46 HF X31S	BLACK
BILL OF MATERIAL				

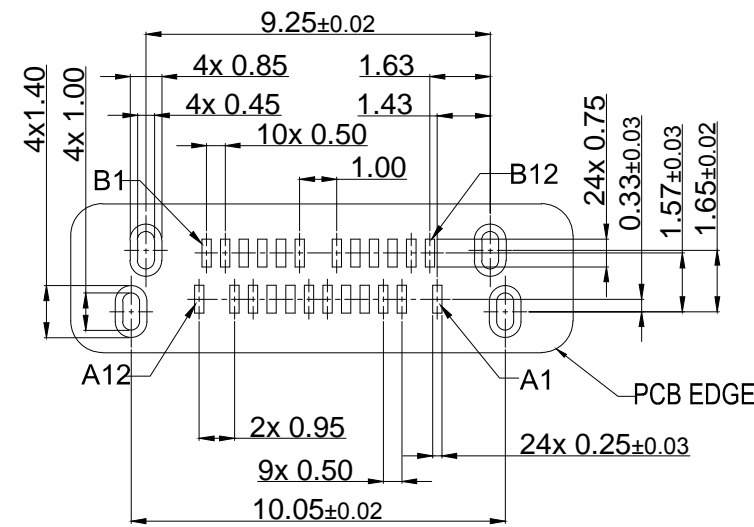
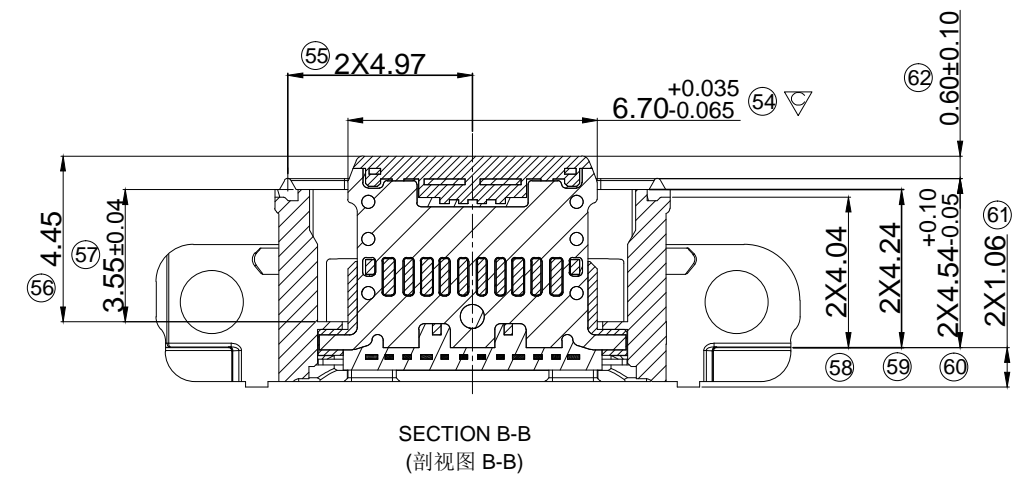
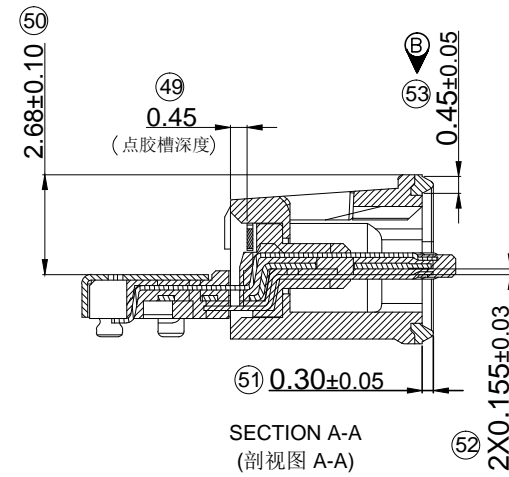
GENERAL	TOLERANCE	FILE.NO.	C12401888	PART.NO.	124018882112A	DRAWN	Allan.Lai	MATERIAL	SCALE	1:1	
X±0.20	x.°±5°	REV.	B	TITLE	USB TYPE C 3.1 CONNECTOR (WATER PROOF)	CHECKED	Weison.Lu	DATE	2018.08.28	UNIT	MM
.X±0.10	.x°±2°	SIZE		SHEET	1/2	APPROVED	Tom	Amphenol Shouhmin Industry			
.XX±0.05	.xx±1°	A4									

SYMBOL		REVISIONS	DATE	APPROVED
SYM	ECN	DESCRIPTION		
		SEE PAGE 1		

20pcs empty 750pcs products 20pcs Empty



PACK DIRECTION



RECOMMENDED PCB LAYOUT
(Tolerance=±0.05)
钢网厚度0.1mm, 钢网开口比例(焊盘:钢网) 1: 1.2



GENERAL TOLERANCE	FILE.NO.	C12401888	PART.NO.	124018882112A	DRAWN	Allan.Lai	MATERIAL	SCALE	1:1	
X.±0.20	REV.	B	TITLE	USB TYPE C 3.1 CONNECTOR (WATER PROOF)	CHECKED	Weison.Lu	DATE	2018.08.28	UNIT	MM
.X±0.10	SIZE		SHEET	2/2	APPROVED	Tom	Amphenol Shouhmin Industry			
.XX±0.05	A4									