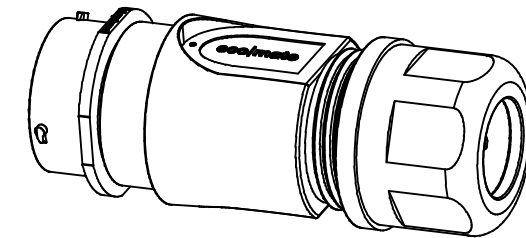
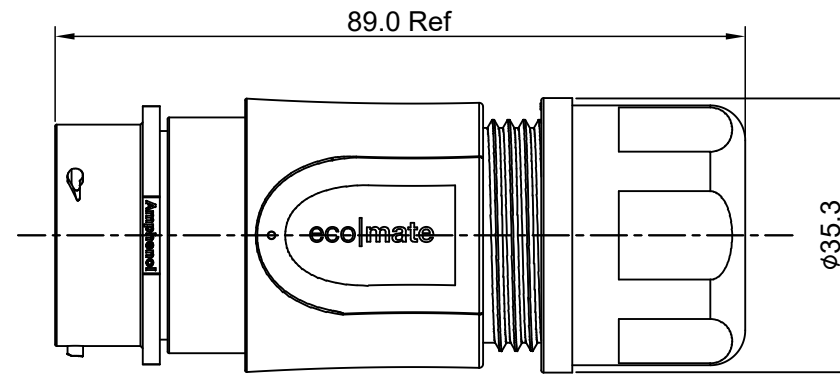
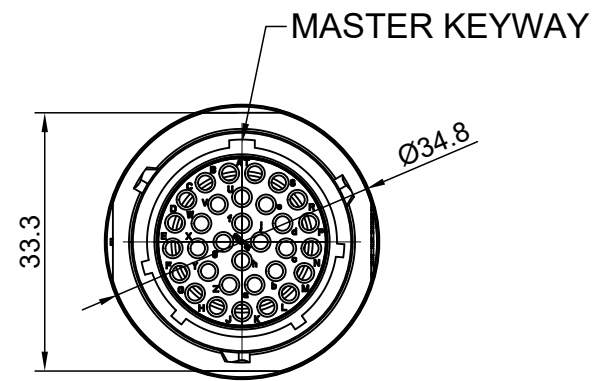


REVISIONS					
REV	ECO	DESCRIPTION	DATE	BY	APPR
A1	--	RELEASED DRAWING	Jun-21-2018	Blink	Tommy



NOTES: (UNLESS OTHERWISE SPECIFIED)

1. MATERIAL:

- SHELL: THERMOPLASTIC, UL94 V-0.
- INSERT: THERMOPLASTIC, UL94 V-0.
- O-RING: NBR/SILICONE RUBBER.
- BACK SHELL: THERMOPLASTIC, UL94 V-0.
- CLAMP NUT: THERMOPLASTIC, UL94 V-0.
- CLAMP RING: THERMOPLASTIC, UL94 V-0.
- CABLE SEAL: EPDM.

2. SPECIFICATIONS:

2.1 RATED CURRENT:

- 2.1.1 STAMPED CONTACT 5A (MAX).
- 2.1.2 MACHINED CONTACT 7.5A (MAX).

2.2 RATED VOLTAGE: 250V(AC/DC).

2.3 OPERATING TEMPERATURE: SEE TABLE.

2.4 DIELECTRIC WITHSTANDING VOLTAGE: LESS THAN 2 MILLIAMPS CURRENT LEAKAGE@1500 VOLTS AC.

2.5 INSULATION RESISTANCE: 5000 MEGOHMS MIN.

2.6 IP--CLASS: IP67 AND IP69K IN THE MATED

CONDITION.

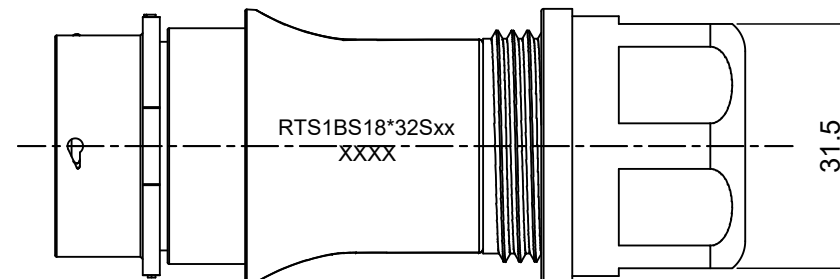
2.7 MATING CYCLES DURABILITY: 500 CYCLES MIN.

2.8 RoHS COMPLIANT.

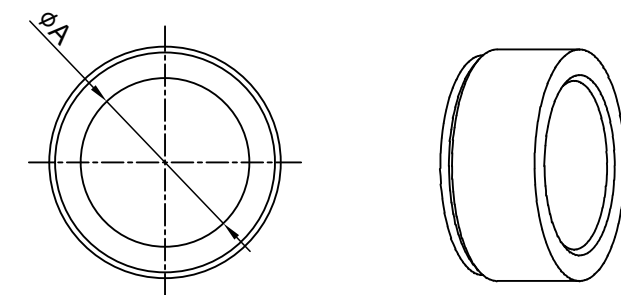
3. SUITABLE CONTACTS : 20# CONTACT.

4. ALL DIMENSIONS ARE FOR REFERENCE USE ONLY.

5. ADD LOCTITE TO RETAIN BACKSHELL DURING UN-MATING AND TO PROVIDE ADDITIONAL PROTECTION AGAINST VIBRATION.



DIMENSION ØA	CABLE OD RANGE
16.5 MM	10.0-16.0 MM
18.5 MM	12.0-18.0 MM



KEY	PART NUMBER	
		-40°C ~ +105°C
N	RTS6BS18N32S	RTS6BS18N32S03

QUANTITY	PART NUMBER	DESCRIPTION	ITEM								
MATERIALS LIST											
UNLESS OTHERWISE SPECIFIED 1) All dimensions are in metric(mm). 2) Tolerances are as follows: 1 PL DEC ±0.30 Fractions ±1/64 2 PL DEC ±0.15 Angles ±1° 3 PL DEC ±0.08 3) Note reference =		SIGNATURES DRAWN: Blink CHECKED: Tod ENGINEER: APPROVAL: Tommy	DATE Jun-21-2018 Jun-21-2018 Jun-21-2018								
MATERIAL SPECIFICATIONS:		<p style="text-align: center;">Amphenol</p> <p style="text-align: center;">Sine Systems - www.amphenol-sine.com 44724 Morley Drive Clinton Township, MI 48036</p> <p style="text-align: center;">ECO-MATE, RECPTACLE, BACK SHELL, SIZE 18, 32POS, SOCKET.</p>									
PROCESS SPECIFICATIONS:											
NEXT ASSY:		THIS DRAWING IS SUPPLIED FOR INFORMATION ONLY. DESIGN FEATURES, SPECIFICATIONS AND PERFORMANCE DATA SHOWN HEREON ARE THE PROPERTY OF THE AMPHENOL CORPORATION. NO RIGHTS OF REPRODUCTION ARE IMPLIED. ALL DIMENSIONS ARE SUBJECT TO NORMAL MANUFACTURING VARIATIONS.	<table border="1"> <tr> <td>SIZE</td> <td>TYPE</td> <td>DWG NO:</td> <td>REVISION</td> </tr> <tr> <td>B</td> <td>C-</td> <td>RTS1BS18*32Sxx</td> <td>A1</td> </tr> </table>	SIZE	TYPE	DWG NO:	REVISION	B	C-	RTS1BS18*32Sxx	A1
SIZE	TYPE	DWG NO:	REVISION								
B	C-	RTS1BS18*32Sxx	A1								
SCALE: NONE		SHEET 1 OF 1									

TITLE: ECO-MATE RECTANGLE BACK SHELL SIZE 18,32POS SOCKET.

DWG NO:

RTS1BS18*32Sxx

REV: A1

SH: 1

OF: 1