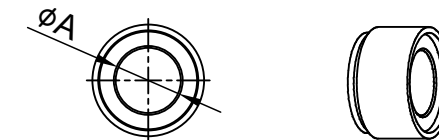
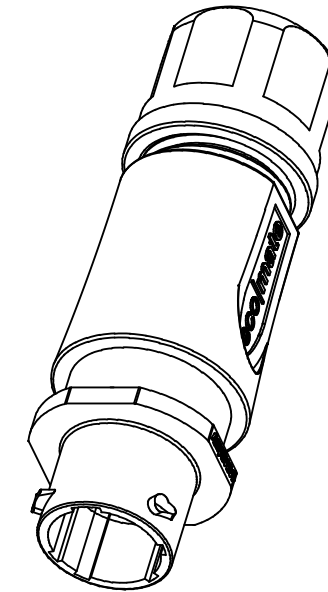
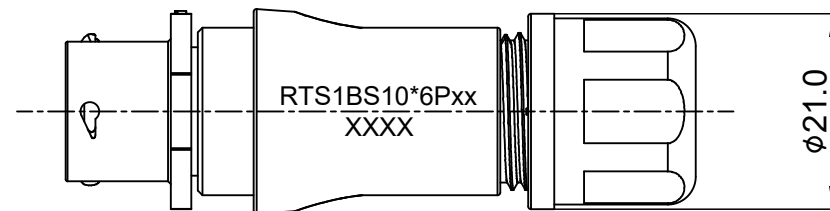
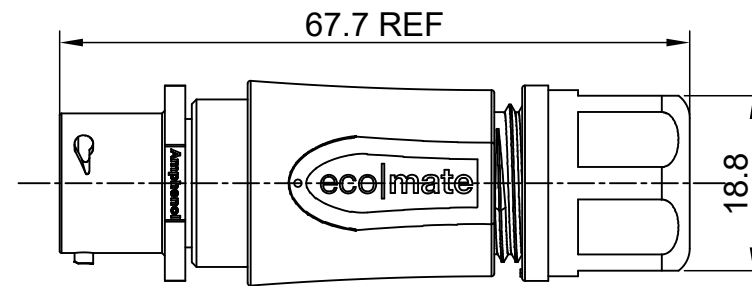
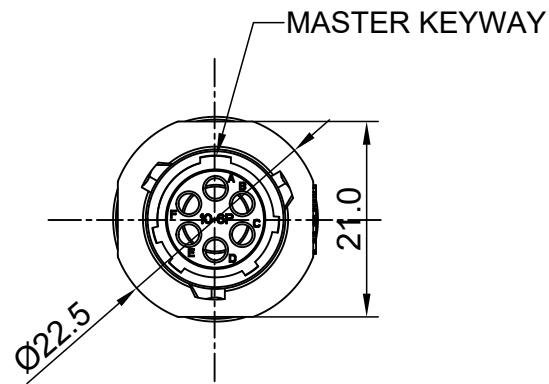


REVISIONS					
REV	ECO	DESCRIPTION	DATE	BY	APPR
A1	--	RELEASED DRAWING	Jun-20-2018	Blink	Tommy



NOTES: (UNLESS OTHERWISE SPECIFIED)

1. MATERIAL:
  - 1.1 SHELL: THERMOPLASTIC, UL94 V-0.
  - 1.2 INSERT: THERMOPLASTIC, UL94 V-0.
  - 1.3 O-RING: NBR/SILICONE RUBBER.
  - 1.4 BACK SHELL: THERMOPLASTIC, UL94 V-0.
  - 1.5 CLAMP NUT: THERMOPLASTIC, UL94 V-0.
  - 1.6 CLAMP RING: THERMOPLASTIC, UL94 V-0.
  - 1.7 CABLE SEAL: EPDM.
2. SPECIFICATIONS:
  - 2.1 RATED CURRENT:
    - 2.1.1 STAMPED CONTACT 5A (MAX).
    - 2.1.2 MACHINED CONTACT 7.5A (MAX).
  - 2.2 RATED VOLTAGE: 250V(AC/DC).
  - 2.3, OPERATING TEMPERATURE: SEE TABLE.
  - 2.4, DIELECTRIC WITHSTANDING VOLTAGE: LESS THAN 2 MILLIAMPS CURRENT LEAKAGE@1500 VOLTS AC.
  - 2.5, INSULATION RESISTANCE: 5000 MEGOHMS MIN.
  - 2.6, IP-CLASS: IP67 AND IP69K IN THE MATED CONDITION, WIRE SEALS FULLY POPULATED.
  - 2.7, MATING CYCLES DURABILITY: 500 CYCLES MIN.
  - 2.8, RoHS COMPLIANT.
3. SUITABLE CONTACTS : 20# CONTACT.
4. ALL DIMENSIONS ARE FOR REFERENCE USE ONLY.
5. ADD LOCTITE TO RETAIN BACKSHELL DURING UN-MATING AND TO PROVIDE ADDITIONAL PROTECTION AGAINST VIBRATION.

DIMENSION ØA	CABLE OD RANGE
7.0MM	4.0-6.5mm
8.8MM	5.0-8.8mm

KEY	PART NUMBER	
		-40°C ~ 105°C
N	RTS1BS10N6P	RTS1BS10N6P03

QUANTITY	PART NUMBER	DESCRIPTION	ITEM										
<b>MATERIALS LIST</b>													
UNLESS OTHERWISE SPECIFIED 1) All dimensions are in metric(mm). 2) Tolerances are as follows: 1 PL DEC ±0.30 2 PL DEC ±0.15 3 PL DEC ±0.08 3) Note reference =		<table border="1"> <thead> <tr> <th>SIGNATURES</th> <th>DATE</th> </tr> </thead> <tbody> <tr> <td>DRAWN: Blink</td> <td>Jun-20-2018</td> </tr> <tr> <td>CHECKED: Tod</td> <td>Jun-20-2018</td> </tr> <tr> <td>ENGINEER:</td> <td></td> </tr> <tr> <td>APPROVAL: Tommy</td> <td>Jun-20-2018</td> </tr> </tbody> </table>		SIGNATURES	DATE	DRAWN: Blink	Jun-20-2018	CHECKED: Tod	Jun-20-2018	ENGINEER:		APPROVAL: Tommy	Jun-20-2018
SIGNATURES	DATE												
DRAWN: Blink	Jun-20-2018												
CHECKED: Tod	Jun-20-2018												
ENGINEER:													
APPROVAL: Tommy	Jun-20-2018												
MATERIAL SPECIFICATIONS:		<p style="text-align: center;"><b>Amphenol</b></p> <p>Sine Systems - www.amphenol-sine.com 44724 Morley Drive Clinton Township, MI 48036</p>											
PROCESS SPECIFICATIONS:		<p>ECO-MATE, RECPTACLE, BACK SHELL, SIZE 10,6 POS,PIN.</p>											
NEXT ASSY:		<table border="1"> <thead> <tr> <th>SIZE</th> <th>TYPE</th> <th>DWG NO:</th> <th>REVISION</th> </tr> </thead> <tbody> <tr> <td>B</td> <td>C-</td> <td>RTS1BS10*6Pxx</td> <td>A1</td> </tr> </tbody> </table>		SIZE	TYPE	DWG NO:	REVISION	B	C-	RTS1BS10*6Pxx	A1		
SIZE	TYPE	DWG NO:	REVISION										
B	C-	RTS1BS10*6Pxx	A1										
SCALE: NONE		SHEET 1 OF 1											

TITLE: ECO-MATE,RECPTACLE,BACK SHELL,SIZE 10,6 POS,PIN

DWG NO:

RTS1BS10\*6Pxx

REV: A1

SH: 1

OF: 1