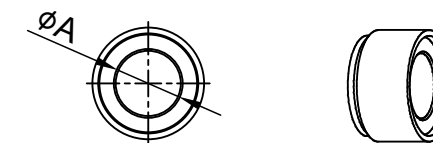
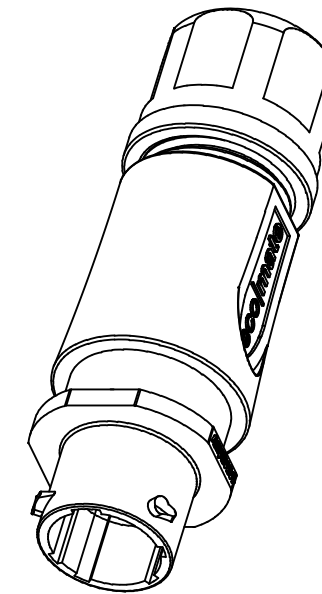
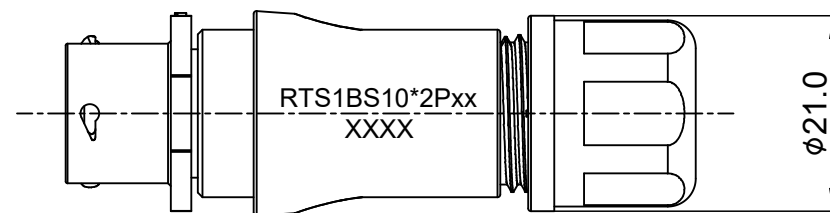
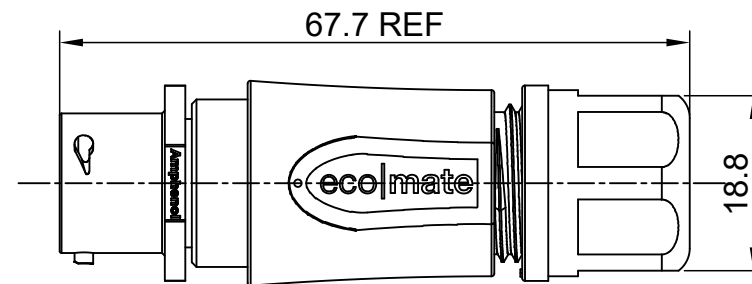
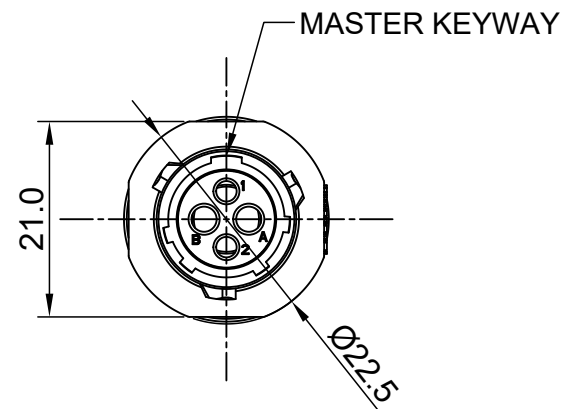


REVISIONS					
REV	ECO	DESCRIPTION	DATE	BY	APPR
A1	--	RELEASED DRAWING	Jun-20-2018	Blink	Tommy



NOTES: (UNLESS OTHERWISE SPECIFIED)

1. MATERIAL:
 - 1.1 SHELL: THERMOPLASTIC, UL94 V-0.
 - 1.2 INSERT: THERMOPLASTIC, UL94 V-0.
 - 1.3 O-RING: NBR/SILICONE RUBBER.
 - 1.4 BACK SHELL: THERMOPLASTIC, UL94 V-0.
 - 1.5 CLAMP NUT: THERMOPLASTIC, UL94 V-0.
 - 1.6 CLAMP RING: THERMOPLASTIC, UL94 V-0.
 - 1.7 CABLE SEAL: EPDM.
2. SPECIFICATIONS:
 - 2.1 RATED CURRENT:
 - 2.1.1 16# CONTACT 13A (MAX) .
 - 2.1.2 20# CONTACT 5A (MAX).
 - 2.2 RATED VOLTAGE: 500V(AC/DC).
 - 2.3 OPERATING TEMPERATURE: SEE TABLE .
 - 2.4 DIELECTRIC WITHSTANDING VOLTAGE: LESS THAN 2 MILLIAMPS CURRENT LEAKAGE@2000 VOLTS AC.
 - 2.5 INSULATION RESISTANCE: 5000 MEGOHMS MIN.
 - 2.6 IP--CLASS: IP67 AND IP69K IN THE MATED CONDITION.
 - 2.7 MATING CYCLES DURABILITY: 500 CYCLES MIN.
 - 2.8 RoHS COMPLIANT.
3. SUITABLE CONTACTS : 16# & 20# CONTACTS.
4. ALL DIMENSIONS ARE FOR REFERENCE USE ONLY.
5. ADD LOCTITE TO RETAIN BACKSHELL DURING UN-MATING AND TO PROVIDE ADDITIONAL PROTECTION AGAINST VIBRATION.

DIMENSION ØA	CABLE OD RANGE
7.0MM	4.0-6.5mm
8.8MM	5.0-8.8mm

KEY	PART NUMBER	
		-40°C ~ 105°C
N	RTS1BS10N2P	RTS1BS10N2P03

QUANTITY	PART NUMBER	DESCRIPTION	ITEM
MATERIALS LIST			
UNLESS OTHERWISE SPECIFIED 1) All dimensions are in metric(mm). 2) Tolerances are as follows: 1 PL DEC ±0.30 2 PL DEC ±0.15 3 PL DEC ±0.08 3) Note reference =		SIGNATURES DATE DRAWN: Blink Jun-20-2018 CHECKED: Tod Jun-20-2018 ENGINEER: APPROVAL: Tommy Jun-20-2018	
MATERIAL SPECIFICATIONS:		CUSTOMER:	
PROCESS SPECIFICATIONS:		THIS DRAWING IS SUPPLIED FOR INFORMATION ONLY. DESIGN FEATURES, SPECIFICATIONS AND PERFORMANCE DATA SHOWN HEREON ARE THE PROPERTY OF THE AMPHENOL CORPORATION. NO RIGHTS OF REPRODUCTION ARE IMPLIED. ALL DIMENSIONS ARE SUBJECT TO NORMAL MANUFACTURING VARIATIONS.	
NEXT ASSY:		SCALE: NONE	
		<div style="text-align: center;"> <p>Sine Systems - www.amphenol-sine.com 44724 Morley Drive Clinton Township, MI 48036</p> </div>	
		ECO-MATE, RECPTACLE, BACK SHELL, SIZE 10,4 POS(2+2), PIN.	
		SIZE: B TYPE: C- DWG NO: RTS1BS10*2Pxx	REVISION: A1
		SHEET 1 OF 1	

TITLE: ECO-MATE,RECPTACLE,BACK SHELL,SIZE 10,4 POS(2+2),PIN.

DWG NO:

RTS1BS10*2Pxx

REV: A1

SH: 1

OF: 1