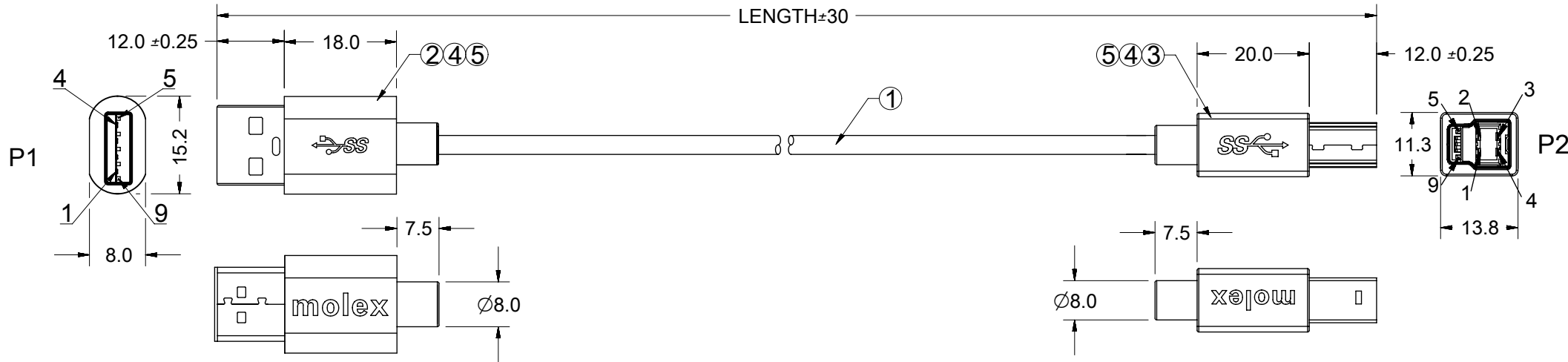


REVISIONS				
EC NO	DATE	REV	DESCRIPTION	CHANGER
NA	2018/09/13	A	INITIAL RELEASE	CISSY
CY18-6215	2018/11/05	B	CHANGE P1 OVERMOLD SHAPE	CISSY



PART NO.	LENGTH	DESCRIPTION	CABLE OD
687890038	L=1000MM	USB3.0 A to USB3.0 B L=1M	4.5MM
687890039	L=1500MM	USB3.0 A to USB3.0 B L=1.5M	5.5MM
687890040	L=2000MM	USB3.0 A to USB3.0 B L=2M	5.5MM

WIRING CHART			
P1	SIGNAL NAME	WIRE COLOR	P2
1	VBUS	RED	1
2	D-	WHITE	2
3	D+	GREEN	3
4	GND	BLACK	4
5	STD_SSRX-	BLUE	5
6	STD_SSRX+	YELLOW	6
7	GND_DRAIN	GND_DRAIN	7
8	STD_SSTX-	PURPLE	8
9	STD_SSTX+	ORANGE	9
SHELL	SHIELD	BRAID	SHELL

ITEM	DESCRIPTION	QTY'
5	OUTMOLDED PVC BLACK	A/R
4	INNER MOLDED LDPE	A/R
3	USB 3.0 B TYPE PLUG, CONTACTS: GOLD 1u" PLATED,SHELL: NICKEL PLATED,	1
2	USB3.0 A TYPE PLUG, CONTACTS: GOLD 1u" PLATED,SHELL: NICKEL PLATED,	1
1	USB3.0 CABLE (30AWG*1P+AE)*2++30AWG*1P+24AWG*2C+AEB JACKET BLACK	1

NOTE:

- OVERMOLDING SPECIFICATION:
 - INNER MOLDING: PE RESIN
 - OUTER MOLDING: PVC RESIN
- APPLICATION CONDITION
 - WORKING TEMPERATURE: 0°--- +50°
 - STORAGE TEMPERATURE: -20°--- +60°
- ELECTRICAL PERFORMACNE
 - CURRENT RATING:1.8A FOR POWER WIRE/ 0.25A FOR SIGNAL WIRE
 - VOLTAGE RATING:30V AC
 - THIS PRODUCT ELECTRICAL PERFORMANCE MUST NEET USB3.0 COMPLIANT
- THIS PRODUCT MUST MEET THE EU RoHS CHEMICAL SUBSTANCES SPECIFICATION FOR PRODUCTS (2011/65/EU).

SYMBOLS		THIS DRAWING CONTAINS INFORMATION THAT IS PROPRIETARY TO MOLEX ELECTRONIC TECHNOLOGIES, LLC AND SHOULD NOT BE USED WITHOUT WRITTEN PERMISSION	
▽ = 0	DIMENSION UNITS	SCALE	CURRENT REV DESC:
▽ = 0	mm	1:1	
▽ = 0	GENERAL TOLERANCES (UNLESS SPECIFIED)		
▽ = 0	ANGULAR TOL	± °	
▽ = 0	4 PLACES	±	EC NO: 607165
▽ = 0	3 PLACES	±	DRWN: ZZXIAN 2018/10/08
▽ = 0	2 PLACES	± 0.25	CHK'D: CWANG49 2018/11/05
▽ = 0	1 PLACE	± 0.5	APPR: LHLIU 2018/11/08
▽ = 0	0 PLACES	±	INITIAL REVISION:
▽ = 0	DRAFT WHERE APPLICABLE MUST REMAIN WITHIN DIMENSIONS		DRWN: ZZXIAN 2018/08/16
▽ = 0	THIRD ANGLE PROJECTION		APPR: LHLIU 2018/09/14
DRAWING		SERIES	DOCUMENT NUMBER
A4-SIZE		201241	2012410607
MATERIAL NUMBER		CUSTOMER	DOC TYPE
SEE TABLE		GENERAL MARKET	PSD
SHEET NUMBER		DOC PART	
1 OF 1		000	
		REVISION	
		B	

DOCUMENT STATUS	P1	RELEASE DATE	2018/11/08	02:25:46
-----------------	----	--------------	------------	----------