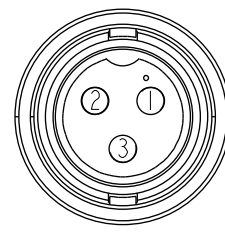
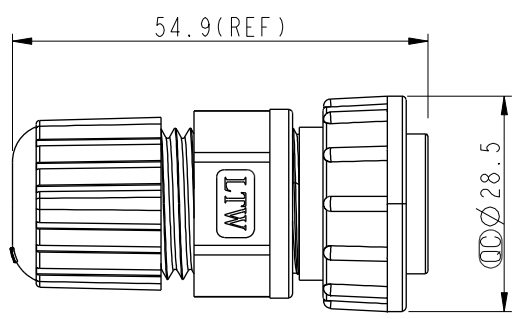
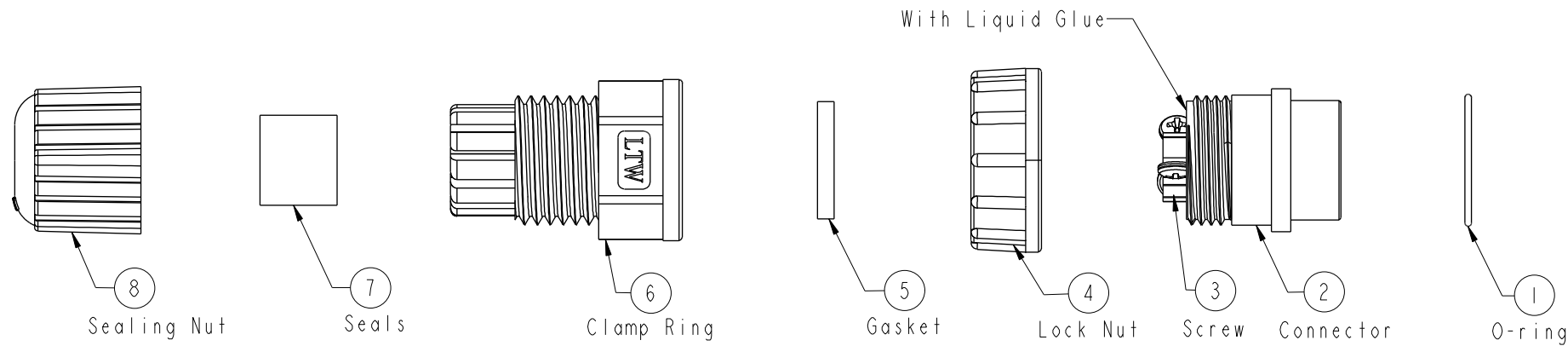


THIS DOCUMENT IS SUBJECT TO CHANGE WITHOUT NOTICE. IT IS CONFIDENTIAL AND A PROPERTY OF AMPHENOL LTW. DISCLOSURE TO THIRD PARTY HAS TO BE AUTHORIZED BY AMPHENOL LTW.

| REV. | ECN NO.    | DATE       | SIGN  | DESCRIPTION            |
|------|------------|------------|-------|------------------------|
| B    | LE3-960043 | 2009/06/22 | Prune | Change The Note And 螺牙 |
| C    | LEN1180124 | 2011/08/25 | Vicky | Modify Title.          |



Pin Assignments  
Front View

**ALTW**  
 CONFIDENTIAL  
 2012-05-04  
 R&D DEPT.

**ALTW**  
 DCC. DEPT.  
 CONFIDENTIAL  
 2012-06-13  
**ISSUED**

Note:

- \* (∅) Important Dimension To Check.
- \* Waterproof Rate: IP67
- \* Housing: Black, Nylon+GF
- \* Male Pin: Copper Alloy, Gold Plated
- \* Liquid Glue: Clear
- \* Screw: Stainless Steel
- \* Ring: Black, EPDM
- \* Nut: Black, Nylon+GF
- \* Gasket: Black, Silicone
- \* Clamping Ring: Black, Nylon
- \* Seals: Black, EPDM
- \* Sealing Nut: Black, Nylon
- \* PE Bag: 90\*85mm
- \* Seal For Cable OD:  $\varnothing 5.5\text{mm} \sim 10.8\text{mm}$
- \* One Set Unassembled In One PE Bag
- \* Application AWG: 14~16AWG

PE Pag 9

|           |      |               |
|-----------|------|---------------|
| UNIT: mm  |      |               |
| TOLERANCE | .X   | $\pm 0.25$    |
|           | .XX  | $\pm 0.1$     |
|           | .XXX | $\pm 0.05$    |
| ANGLES    |      | $\pm 1^\circ$ |

|  |         |                   |    |
|--|---------|-------------------|----|
| TITLE<br>Large Assy Lock 3Pin F Conn M Pin |         |                   |    |
| SCALE                                      | SIZE    | SHEET             | OF |
| 1:1  | A4      | 1                 | 1  |
| REV.                                       | WC-REV. | : Inspection item |    |
| C  | A.2     |                   |    |

**Amphenol LTW**  
 安費諾亮泰企業股份有限公司

|          |                  |             |          |      |            |
|----------|------------------|-------------|----------|------|------------|
| ITEM NO. | DC-03BFMB-LL7001 | DRAWN BY    | SamChang | DATE | 2012-05-04 |
| DWG NO.  | DC-03BFMB-LL7001 | CHECKED BY  | Jeffrey  | DATE | 2012-06-13 |
| CUSTOMER | ALTW             | APPROVED BY | Lion     | DATE | 2012-06-13 |