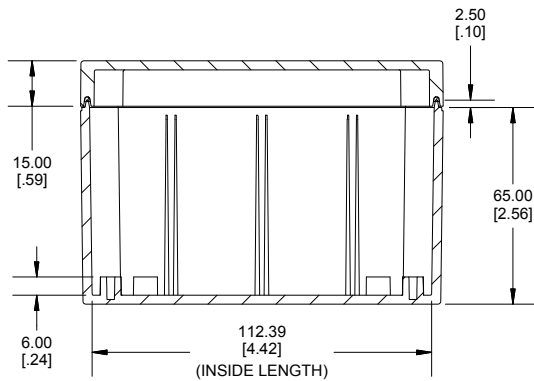
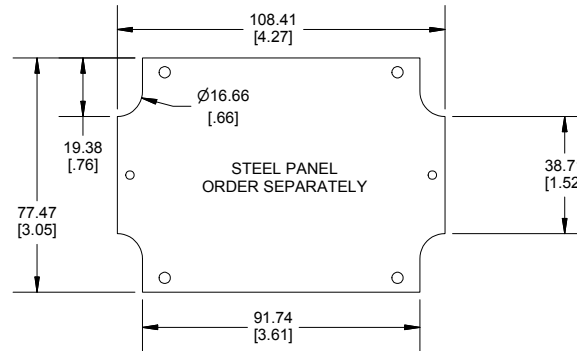


POLYCARBONATE  
VERSION ONLY

**UL** US LISTED  
FILE #E65324  
TYPE 4,4X,6,6P



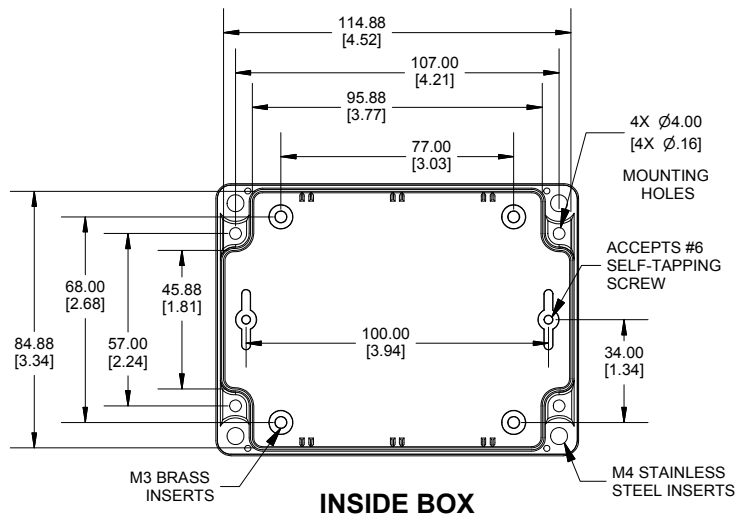
**SECTION A-A  
SIDE VIEW**



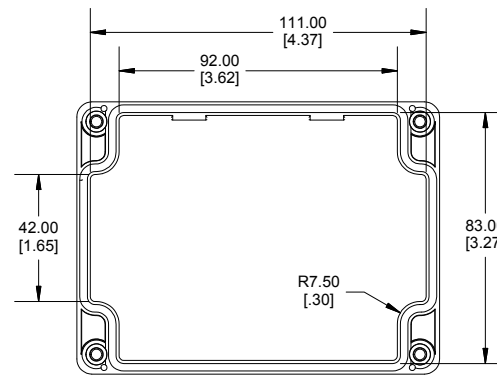
Enclosures can be Factory Modified ( Milling, Drilling, Printing etc.)  
Contact Factory [mjm@hammondmfg.com](mailto:mjm@hammondmfg.com) for quotes  
Solid models of this enclosure available in STEP or IGES.  
(Part number and text placement/orientation on our products are subject to change, we do not recommend using them as a locating reference for modification purposes)

**NOTE**

Purchased assembly includes box, lid, 4 cover screws, and preformed silicone gasket.  
General Purpose ABS version is not UL approved. (Matl UL94 - HB)  
Polycarbonate version is UL 508A approved. (Matl UL94 - 5VA @ 3mm)  
**Recommended Cover screw torque -- 43-57 ozf-in (30-40 cN-m)**



**INSIDE BOX**



**INSIDE LID**

Dimensions:  
mm  
[inches]

1554G	
<b>1554G Regular Enclosure</b>	
General Purpose ABS RAL-7035	1554GGY
Polycarbonate RAL-7035	1554G2GY
<b>1554G Clear / Smoke Lid Enclosure</b>	
Polycarbonate Box / Clear Polycarbonate Lid	1554G2GYCL
Polycarbonate Box / Smoke Polycarbonate Lid	1554G2GYSL
<b>ACCESSORIES</b>	
Steel Inner Panels	1554FPL
Steel Panel / P.C. Board Screw [M3-0.5 x 8mm Plated] (Pkg 100)	1591MM100
Steel Panel / P.C. Board Self Tapping Screw [#6 X 1/4" (6.4mm) Plated] (Pkg 100)	1598ATS100
Stainless Steel Cover Screws [M4-0.7 X 20mm] (Pkg 50)	SC576-50
Silicone Pre-formed Gasket Black (Pkg 2)	1554FGASKET

**HAMMOND  
MANUFACTURING®**

**1554G**

[www.hammondmfg.com](http://www.hammondmfg.com)