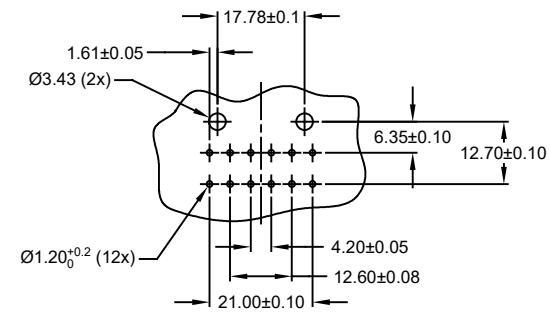
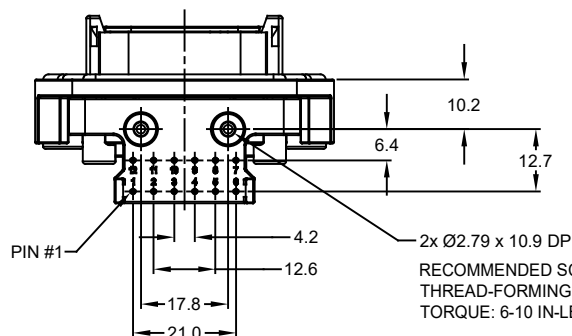
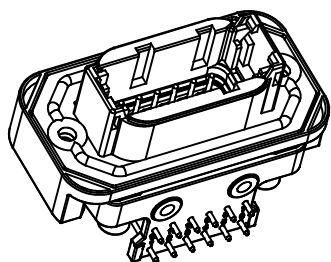
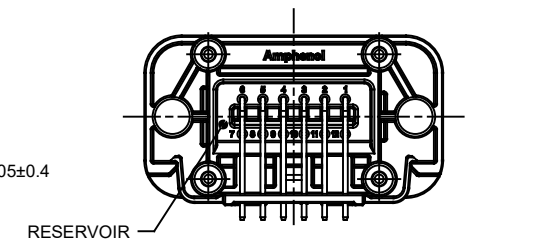
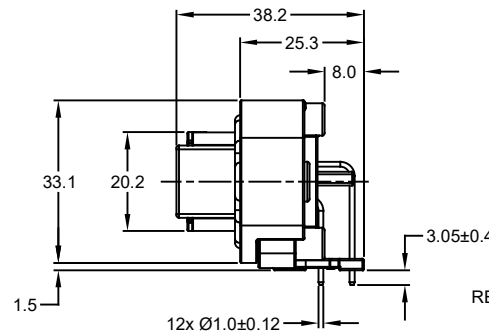
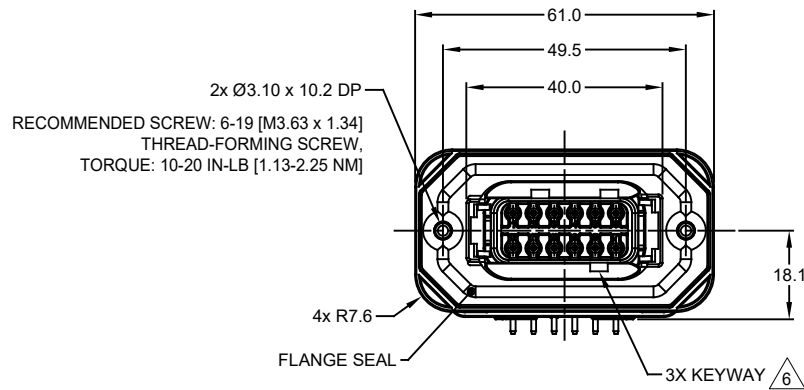


REVISIONS					
REV	ECO	DESCRIPTION	DATE	BY	APPR
A1	-	RELEASE NEW DRAWING	15JUN18	SULLEN	TOMMY



RECOMMENDED PCB LAYOUT  
VIEW FROM COMPONENTS  
SIDE OF PCB

NOTES: UNLESS OTHERWISE SPECIFIED

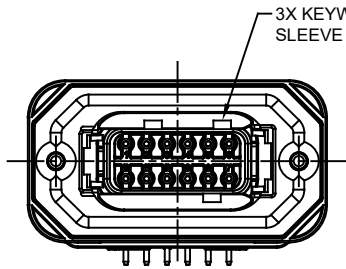
- MATERIAL:  
HOUSING: THERMOPLASTIC, GREY  
SEAL: SILICONE RUBBER  
CONTACT: COPPER ALLOY
- CONTACT PLATING: SEE SHEET 2
- MODIFICATIONS: FLANGE; RA PCB MOUNT
- SPECIFICATIONS:  
4.1 CURRENT RATING: 7.5 AMPS  
4.2 OPERATING TEMPERATURE: -55°C TO +125°C  
4.3 DIELECTRIC WITHSTANDING VOLTAGE: LESS THAN 2 MILLIAMPS CURRENT LEAKAGE @ 1500 VOLTS AC  
4.4 INSULATION RESISTANCE: 1000 MEGOHMS MIN @ 25°C  
4.5 MOISTURE RESISTANCE: IP67 ( MATED CONDITION )  
4.6 MATING CYCLE DURABILITY: 100 CYCLES  
4.7 RoHS COMPLIANT

- MATING PART: ATM06-12SX-  
( X = A,B,C,D KEYS ; \* = MODIFICATIONS AND COLORS )
- SEE SHEET 2 FOR OTHER KEY ARRANGEMENTS AND COLORS
- ALL DIMENSIONS ARE FOR REFERENCE USE ONLY

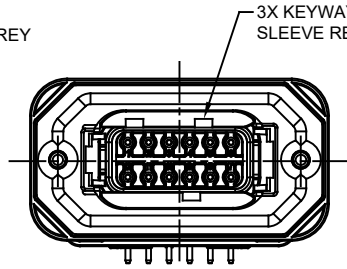
ATM13-12PX-BMXX		DESCRIPTION		ITEM
QUANTITY	PART NUMBER	MATERIALS LIST		
UNLESS OTHERWISE SPECIFIED				
1) All dimensions are in metric(mm).				
2) Tolerances are as follows:				
1 PL DEC ±0.30   Fractions ±1/64				
2 PL DEC ±0.15   Angles ±1°				
3 PL DEC ±0.08				
3) Note reference =				
SIGNATURES		DATE		
DRAWN: SULLEN,ZHANG		15JUN18		
CHECKED: ORIONLI		15JUN18		
ENGINEER:				
APPROVAL: TOMMY,XIE		15JUN18		
CUSTOMER:				
MATERIAL SPECIFICATIONS:		THIS DRAWING IS SUPPLIED FOR INFORMATION ONLY. DESIGN FEATURES, SPECIFICATIONS AND PERFORMANCE DATA SHOWN HEREON ARE THE PROPERTY OF THE AMPHENOL CORPORATION. NO RIGHTS OF REPRODUCTION ARE IMPLIED. ALL DIMENSIONS ARE SUBJECT TO NORMAL MANUFACTURING VARIATIONS.		
PROCESS SPECIFICATIONS:		SIZE	TYPE	DWG NO.
NEXT ASSY:		B	C-	ATM13-12PX-BMXX
		SCALE:	NONE	REVISION
				A1
SHEET 1 OF 2				

TITLE: PCB MOUNT RECEPTACLE 12PIN, RA FLANGE, ATM SERIES  
DWG NO.: ATM13-12PX-BMXX  
REV: A1  
SH: 1  
OF: 2

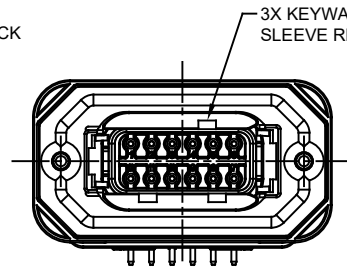
REVISIONS					
REV	ECO	DESCRIPTION	DATE	BY	APPR
A1	-	RELEASE NEW DRAWING	15JUN18	SULLEN	TOMMY



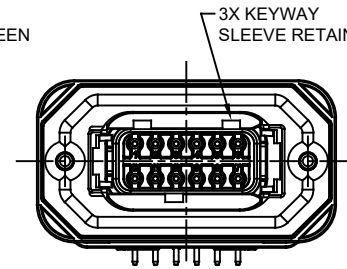
ATM13-12PA-BMXX  
KEY A



ATM13-12PB-BMXX  
KEY B



ATM13-12PC-BMXX  
KEY C



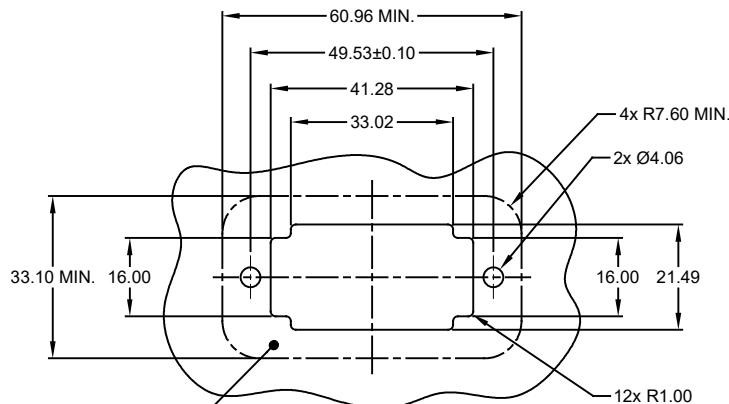
ATM13-12PD-BMXX  
KEY D

ATM13-12PA-BMXX VARIANTS		
CONTACT PLATING	POTTING OR NOT IN RESERVOIR	PART NUMBER
GOLD	NO POTTING	ATM13-12PA-BM01
GOLD	POTTING	ATM13-12PA-BM02
TIN	NO POTTING	ATM13-12PA-BM03
TIN	POTTING	ATM13-12PA-BM04

ATM13-12PB-BMXX VARIANTS		
CONTACT PLATING	POTTING OR NOT IN RESERVOIR	PART NUMBER
GOLD	NO POTTING	ATM13-12PB-BM01
GOLD	POTTING	ATM13-12PB-BM02
TIN	NO POTTING	ATM13-12PB-BM03
TIN	POTTING	ATM13-12PB-BM04

ATM13-12PC-BMXX VARIANTS		
CONTACT PLATING	POTTING OR NOT IN RESERVOIR	PART NUMBER
GOLD	NO POTTING	ATM13-12PC-BM01
GOLD	POTTING	ATM13-12PC-BM02
TIN	NO POTTING	ATM13-12PC-BM03
TIN	POTTING	ATM13-12PC-BM04

ATM13-12PD-BMXX VARIANTS		
CONTACT PLATING	POTTING OR NOT IN RESERVOIR	PART NUMBER
GOLD	NO POTTING	ATM13-12PD-BM01
GOLD	POTTING	ATM13-12PD-BM02
TIN	NO POTTING	ATM13-12PD-BM03
TIN	POTTING	ATM13-12PD-BM04



INTERNAL SEALING SURFACE  
FINISH TO BE  $\frac{3.2}{\sqrt{10.13}}$  OR BETTER

RECOMMENDED PANEL  
CUTOUT

ATM13-12PX-BMXX		DESCRIPTION		ITEM
PART NUMBER				
QUANTITY		MATERIALS LIST		
UNLESS OTHERWISE SPECIFIED: 1) All dimensions are in metric(mm). 2) Tolerances are as follows: 1 PL DEC ±0.30   Fractions ±1/64 2 PL DEC ±0.15   Angles ±1° 3 PL DEC ±0.08		SIGNATURES		DATE
DRAWN: SULLEN,ZHANG		15JUN18		
CHECKED: ORION,LI		15JUN18		
ENGINEER:		APPROVAL: TOMMY,XIE		15JUN18
MATERIAL SPECIFICATIONS:		CUSTOMER:		
PROCESS SPECIFICATIONS:		THIS DRAWING IS SUPPLIED FOR INFORMATION ONLY. DESIGN FEATURES, SPECIFICATIONS AND PERFORMANCE DATA SHOWN HEREON ARE THE PROPERTY OF THE AMPHENOL CORPORATION. NO RIGHTS OF REPRODUCTION ARE IMPLIED. ALL DIMENSIONS ARE SUBJECT TO NORMAL MANUFACTURING VARIATIONS.		
NEXT ASSY:		SCALE: NONE		
		SIZE: B	TYPE: C-	DWG NO: ATM13-12PX-BMXX
				REVISION: A1
				SHEET 2 OF 2

TITLE: PCB MOUNT RECEPTACLE 12PIN RA FLANGE, ATM SERIES  
DWG NO: ATM13-12PX-BMXX  
REV: A1  
SH: 2  
OF: 2