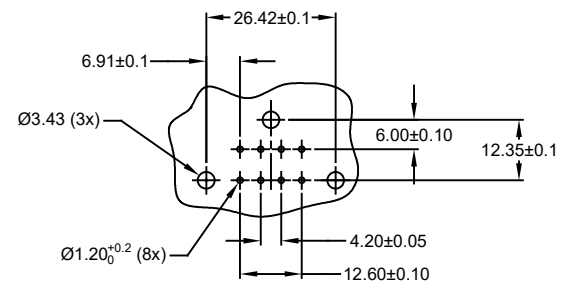
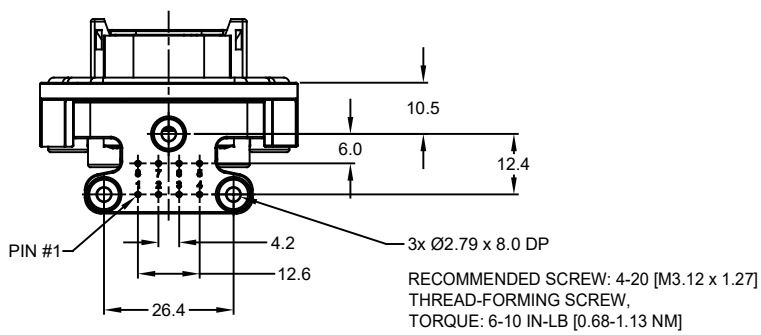
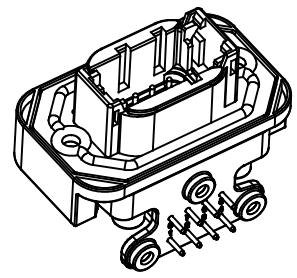
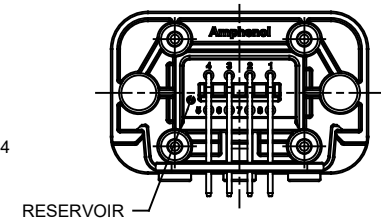
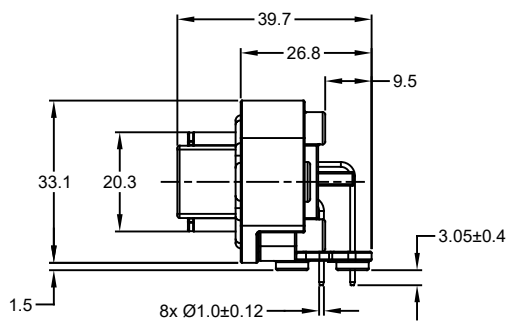
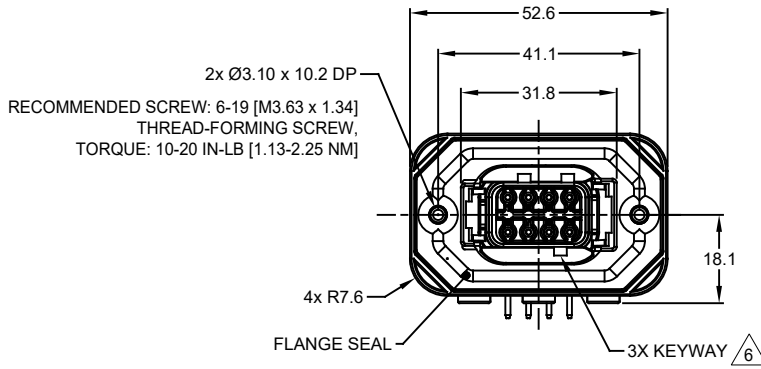


REVISIONS					
REV	ECO	DESCRIPTION	DATE	BY	APPR
A1	-	RELEASE NEW DRAWING	15JUN18	SULLEN	TOMMY



RECOMMENDED PCB LAYOUT  
VIEW FROM COMPONENTS  
SIDE OF PCB

NOTES: UNLESS OTHERWISE SPECIFIED

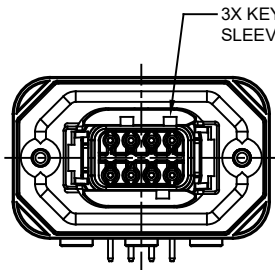
- MATERIAL:  
HOUSING: THERMOPLASTIC, GREY  
SEAL: SILICONE RUBBER  
CONTACT: COPPER ALLOY
- CONTACT PLATING: SEE SHEET 2
- MODIFICATIONS: FLANGE; RA PCB MOUNT
- SPECIFICATIONS:  
4.1 CURRENT RATING: 7.5 AMPS  
4.2 OPERATING TEMPERATURE: -55°C TO +125°C  
4.3 DIELECTRIC WITHSTANDING VOLTAGE: LESS THAN 2 MILLIAMPS CURRENT LEAKAGE @ 1500 VOLTS AC  
4.4 INSULATION RESISTANCE: 1000 MEGOHMS MIN @ 25°C  
4.5 MOISTURE RESISTANCE: IP67 ( MATED CONDITION )  
4.6 MATING CYCLE DURABILITY: 100 CYCLES  
4.7 RoHS COMPLIANT

- MATING PART: ATM06-08SX-  
( X = A,B,C,D KEYS ; \* = MODIFICATIONS AND COLORS )
- SEE SHEET 2 FOR OTHER KEY ARRANGEMENTS AND COLORS
- ALL DIMENSIONS ARE FOR REFERENCE USE ONLY

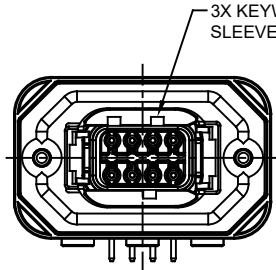
ATM13-08PX-BMXX		DESCRIPTION		ITEM
QUANTITY	PART NUMBER	MATERIALS LIST		
UNLESS OTHERWISE SPECIFIED 1) All dimensions are in metric(mm). 2) Tolerances are as follows: 1 PL DEC ±0.30 2 PL DEC ±0.15 3 PL DEC ±0.08 3) Note reference =		SIGNATURES		DATE
		DRAWN: SULLEN,ZHANG		15JUN18
		CHECKED: ORION,LI		15JUN18
		ENGINEER:		
		APPROVAL: TOMMY,XIE		15JUN18
MATERIAL SPECIFICATIONS:		CUSTOMER:		
PROCESS SPECIFICATIONS:		THIS DRAWING IS SUPPLIED FOR INFORMATION ONLY. DESIGN FEATURES, SPECIFICATIONS AND PERFORMANCE DATA SHOWN HEREON ARE THE PROPERTY OF THE AMPHENOL CORPORATION. NO RIGHTS OF REPRODUCTION ARE IMPLIED. ALL DIMENSIONS ARE SUBJECT TO NORMAL MANUFACTURING VARIATIONS.		
NEXT ASSY:		SIZE	TYPE	DWG NO.
		B	C-	ATM13-08PX-BMXX
		SCALE	NONE	
		REVISION		A1
		SHEET		1 OF 2

TITLE: PCB MOUNT RECEPTACLE PIN RA FLANGE ATM SERIES  
DWG NO: ATM13-08PX-BMXX  
REV: A1  
SH: 1  
OF: 2

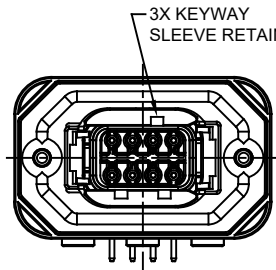
REVISIONS					
REV	ECO	DESCRIPTION	DATE	BY	APPR
A1	-	RELEASE NEW DRAWING	15JUN18	SULLEN	TOMMY



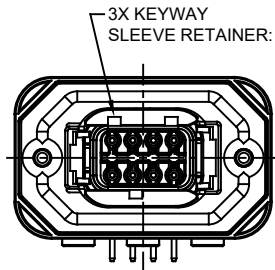
ATM13-08PA-BMXX  
KEY A



ATM13-08PB-BMXX  
KEY B



ATM13-08PC-BMXX  
KEY C



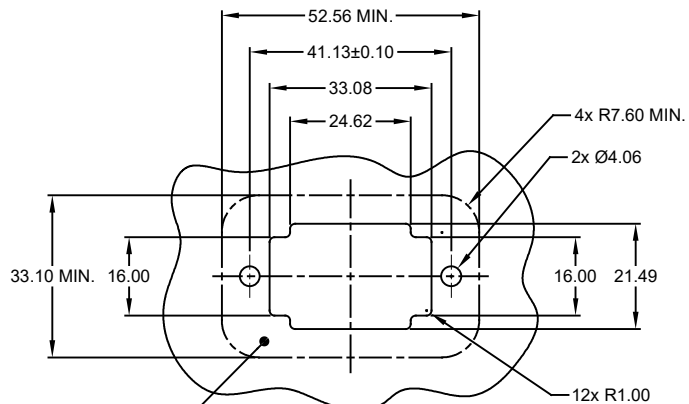
ATM13-08PD-BMXX  
KEY D

ATM13-08PA-BMXX VARIANTS		
CONTACT PLATING	POTTING OR NOT IN RESERVOIR	PART NUMBER
GOLD	NO POTTING	ATM13-08PA-BM01
GOLD	POTTING	ATM13-08PA-BM02
TIN	NO POTTING	ATM13-08PA-BM03
TIN	POTTING	ATM13-08PA-BM04

ATM13-08PB-BMXX VARIANTS		
CONTACT PLATING	POTTING OR NOT IN RESERVOIR	PART NUMBER
GOLD	NO POTTING	ATM13-08PB-BM01
GOLD	POTTING	ATM13-08PB-BM02
TIN	NO POTTING	ATM13-08PB-BM03
TIN	POTTING	ATM13-08PB-BM04

ATM13-08PC-BMXX VARIANTS		
CONTACT PLATING	POTTING OR NOT IN RESERVOIR	PART NUMBER
GOLD	NO POTTING	ATM13-08PC-BM01
GOLD	POTTING	ATM13-08PC-BM02
TIN	NO POTTING	ATM13-08PC-BM03
TIN	POTTING	ATM13-08PC-BM04

ATM13-08PD-BMXX VARIANTS		
CONTACT PLATING	POTTING OR NOT IN RESERVOIR	PART NUMBER
GOLD	NO POTTING	ATM13-08PD-BM01
GOLD	POTTING	ATM13-08PD-BM02
TIN	NO POTTING	ATM13-08PD-BM03
TIN	POTTING	ATM13-08PD-BM04



INTERNAL SEALING SURFACE FINISH TO BE 3.2/ OR BETTER  $\sqrt{10.13}$

RECOMMENDED PANEL CUTOUT

ATM13-08PX-BMXX		DESCRIPTION		ITEM
QUANTITY	PART NUMBER	MATERIALS LIST		
UNLESS OTHERWISE SPECIFIED		SIGNATURES		DATE
1) All dimensions are in metric (mm).		DRAWN: SULLEN,ZHANG		15JUN18
2) Tolerances are as follows:		CHECKED: ORION,LI		15JUN18
1 PL DEC ±0.30   Fractions ±1/64		ENGINEER:		
2 PL DEC ±0.15   Angles ±1°		APPROVAL: TOMMY,XIE		15JUN18
3 PL DEC ±0.08		CUSTOMER:		
3) Note reference = $\Delta$		THIS DRAWING IS SUPPLIED FOR INFORMATION ONLY. DESIGN FEATURES, SPECIFICATIONS AND PERFORMANCE DATA SHOWN HEREON ARE THE PROPERTY OF THE AMPHENOL CORPORATION. NO RIGHTS OF REPRODUCTION ARE IMPLIED. ALL DIMENSIONS ARE SUBJECT TO NORMAL MANUFACTURING VARIATIONS.		
MATERIAL SPECIFICATIONS:		SIZE		TYPE
PROCESS SPECIFICATIONS:		B C-		ATM13-08PX-BMXX
NEXT ASSY:		SCALE: NONE		REVISION A1
		SHEET 2 OF 2		

TITLE: PCB MOUNT RECEPTACLE 8PIN, RA FLANGE, ATM SERIES  
DWG NO: ATM13-08PX-BMXX  
REV: A1  
SH: 2  
OF: 2