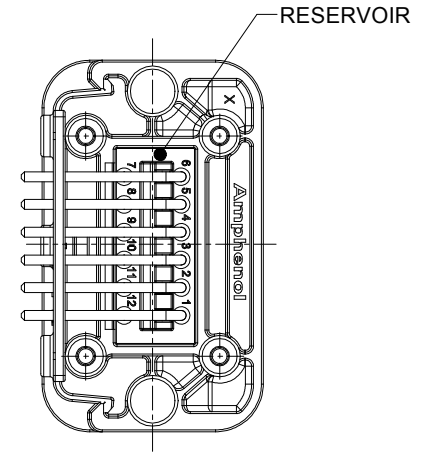
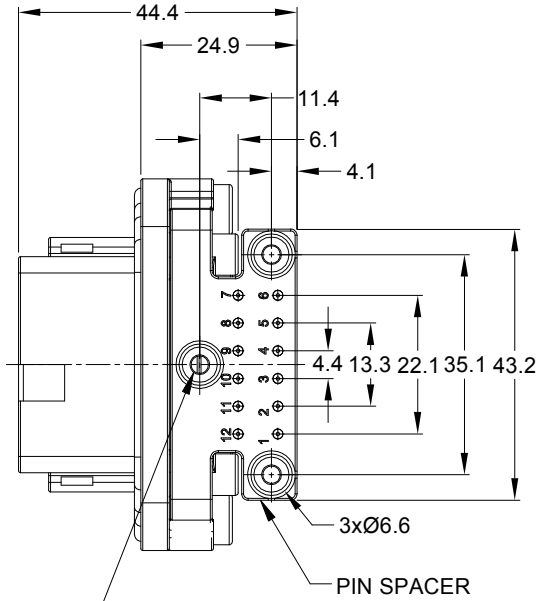
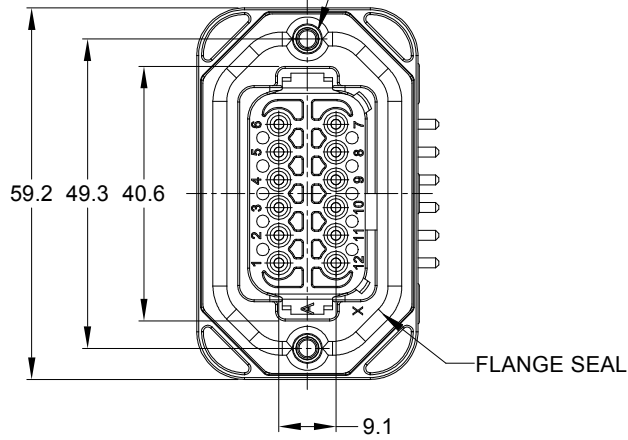


| REVISIONS | | | | | |
|-----------|-----|---------------------|-----------|-------|-------|
| REV | ECO | DESCRIPTION | DATE | BY | APPR |
| A1 | - | RELEASE NEW DRAWING | 14/DEC/18 | BROOK | TOMMY |

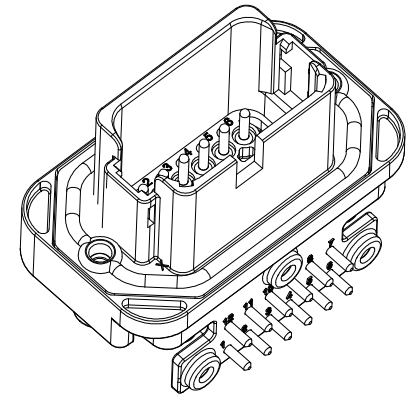
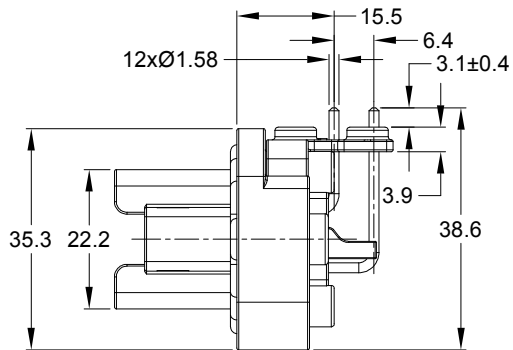
2xØ3.10±0.12x11.18 DP
 RECOMMENDED SCREW: 6-19 [M3.63 x 1.34]
 THREAD-FORMING SCREW,
 TORQUE: 11-15 IN-LB [1.24-1.70 NM]



3xØ2.79±0.12
 RECOMMENDED SCREW: 4-20 [M3.12 x 1.27]
 THREAD-FORMING SCREW,
 TORQUE: 6-10 IN-LB [0.68-1.13 NM]

NOTES: UNLESS OTHERWISE SPECIFIED

- MATERIAL:
 HOUSING: THERMOPLASTIC
 SEAL: SILICONE RUBBER
 CONTACT: COPPER ALLOY
- MODIFICATIONS: FLANGE, PCB MOUNT, RIGHT ANGLE
- SPECIFICATIONS:
 3.1 CURRENT RATING: 13 AMPS
 3.2 OPERATING TEMPERATURE: -55°C TO +125°C
 3.3 DIELECTRIC WITHSTANDING VOLTAGE: LESS THAN 2 MILLIAMPS CURRENT LEAKAGE @ 1500 VOLTS AC.
 3.4 INSULATION RESISTANCE: 1000 MEGOHMS MIN @ 25°C.
 3.5 MOISTURE RESISTANCE: IP67 (MATED CONDITION)
 3.6 MATING CYCLE DURABILITY: 100 CYCLES
 3.7 RoHS COMPLIANT
- MATING PART: AT06-12S* PLUG
 (* = MODIFICATIONS)
- ALL DIMENSIONS ARE FOR REFERENCE USE ONLY.

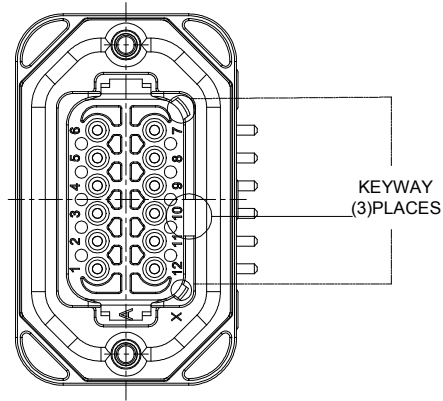


| | | | | |
|---------------------------------------|--|----------------------------------------------------------------------------------------------------------------------------------------------------------------------------------------------------------------------------------------------------------------------|------|----------------|
| AT13-12PX-BM1X | | DESCRIPTION | | ITEM |
| PART NUMBER | | DESCRIPTION | | ITEM |
| QUANTITY | | MATERIALS LIST | | |
| UNLESS OTHERWISE SPECIFIED | | SIGNATURES | | DATE |
| 1) All dimensions are in metric (mm). | | DRAWN: BROOK DING | | 14/DEC/18 |
| 2) Tolerances are as follows: | | CHECKED: ORION LI | | 14/DEC/18 |
| 1 PL DEC ±0.30 Fractions ±1/64 | | ENGINEER: | | |
| 2 PL DEC ±0.15 Angles ±1° | | APPROVAL: TOMMY XIE | | 14/DEC/18 |
| 3) Note reference = | | CUSTOMER: | | |
| MATERIAL SPECIFICATIONS: | | THIS DRAWING IS SUPPLIED FOR INFORMATION ONLY. DESIGN FEATURES, SPECIFICATIONS AND PERFORMANCE DATA SHOWN HEREON ARE THE PROPERTY OF THE AMPHENOL CORPORATION. NO RIGHTS OF REPRODUCTION ARE IMPLIED. ALL DIMENSIONS ARE SUBJECT TO NORMAL MANUFACTURING VARIATIONS. | | |
| PROCESS SPECIFICATIONS: | | SIZE | TYPE | DWG NO. |
| NEXT ASSY: | | B | C- | AT13-12PX-BM1X |
| | | SCALE: NONE | | REVISION A1 |
| | | SHEET 1 OF 3 | | |

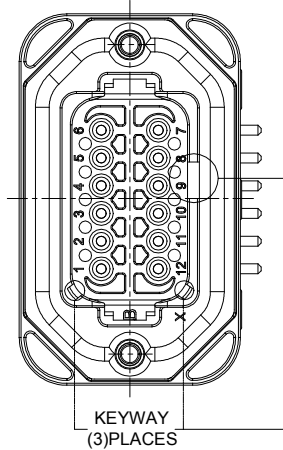
TITLE: PCB MOUNT RECEPTACLE, 12PIN, RA FLANGE, AT SERIES
 DWG NO: AT13-12PX-BM1X
 REV: A1
 SH: 1
 OF: 3

| REVISIONS | | | | | |
|-----------|-----|---------------------|-----------|-------|-------|
| REV | ECO | DESCRIPTION | DATE | BY | APPR |
| A1 | - | RELEASE NEW DRAWING | 14/DEC/18 | BROOK | TOMMY |

P/N AT13-12PA-BM1X
KEY-A CONFIGURATION
STANDARD COLOR: GREY



P/N AT13-12PB-BM1X
KEY-B CONFIGURATION
STANDARD COLOR: BLACK



| AT13-12PA-BMXX VARIANTS | | |
|-------------------------|-----------------------------|----------------|
| CONTACT PLATING | POTTING OR NOT IN RESERVOIR | PART NUMBER |
| TIN | NO POTTING | AT13-12PA-BM16 |
| TIN | POTTING | AT13-12PA-BM17 |
| GOLD | NO POTTING | AT13-12PA-BM18 |
| GOLD | POTTING | AT13-12PA-BM19 |

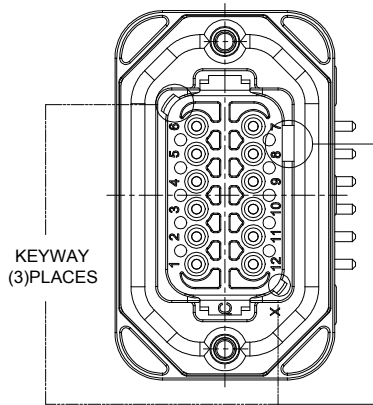
| AT13-12PB-BMXX VARIANTS | | |
|-------------------------|-----------------------------|----------------|
| CONTACT PLATING | POTTING OR NOT IN RESERVOIR | PART NUMBER |
| TIN | NO POTTING | AT13-12PB-BM16 |
| TIN | POTTING | AT13-12PB-BM17 |
| GOLD | NO POTTING | AT13-12PB-BM18 |
| GOLD | POTTING | AT13-12PB-BM19 |

| AT13-12PX-BM1X | | DESCRIPTION | | ITEM |
|--------------------------------------------------------------------------------------------------------------------------------------------------------------|-----------------------|----------------------------------------------------------------------------------------------------------------------------------------------------------------------------------------------------------------------------------------------------------------------|-------------|---------------------------------------------------------------------------------------------------------------------------------------------------------------------------------------------------------------------------------------------------------------------|
| PART NUMBER | | | | |
| QUANTITY | MATERIALS LIST | | | |
| UNLESS OTHERWISE SPECIFIED | | SIGNATURES | DATE | <h1 style="text-align: center;">Amphenol</h1> <p style="text-align: center;">Sine Systems - www.amphenol-sine.com 44724 Morley Drive Clinton Township, MI 48036</p> <p style="text-align: center;">PCB MOUNT RECEPTACLE, 12PIN RA FLANGE, AT SERIES</p> |
| 1) All dimensions are in metric (mm). 2) Tolerances are as follows: 1 PL DEC ±0.30 Fractions ±1/64 2 PL DEC ±0.15 Angles ±1° 3) Note reference = | | DRAWN: BROOK DING | 14/DEC/18 | |
| | | CHECKED: ORION LI | 14/DEC/18 | |
| | | APPROVAL: TOMMY XIE | 14/DEC/18 | |
| MATERIAL SPECIFICATIONS: | | CUSTOMER: | | |
| PROCESS SPECIFICATIONS: | | THIS DRAWING IS SUPPLIED FOR INFORMATION ONLY. DESIGN FEATURES, SPECIFICATIONS AND PERFORMANCE DATA SHOWN HEREON ARE THE PROPERTY OF THE AMPHENOL CORPORATION. NO RIGHTS OF REPRODUCTION ARE IMPLIED. ALL DIMENSIONS ARE SUBJECT TO NORMAL MANUFACTURING VARIATIONS. | | |
| NEXT ASSY: | | SIZE: B | TYPE: C- | DWG NO: AT13-12PX-BM1X |
| | | SCALE: NONE | | REVISION: A1 |
| | | SHEET 2 OF 3 | | |

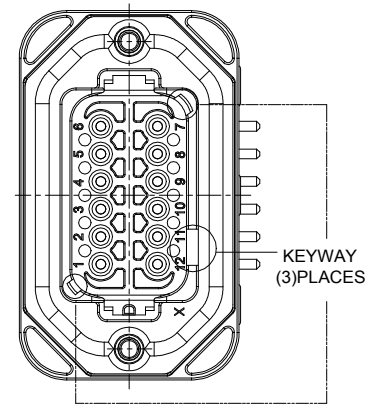
TITLE: PCB MOUNT RECEPTACLE, 12PIN, RA FLANGE, AT SERIES
DWG NO: AT13-12PX-BM1X
REV: A1
SH: 2
OF: 3

| REVISIONS | | | | | |
|-----------|-----|---------------------|-----------|-------|-------|
| REV | ECO | DESCRIPTION | DATE | BY | APPR |
| A1 | - | RELEASE NEW DRAWING | 14/DEC/18 | BROOK | TOMMY |

P/N AT13-12PC-BM1X
KEY-C CONFIGURATION
STANDARD COLOR: GREEN

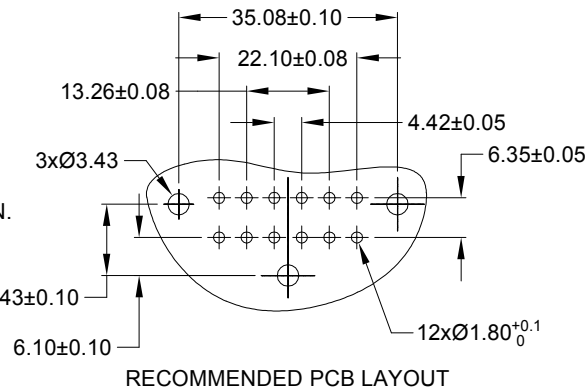
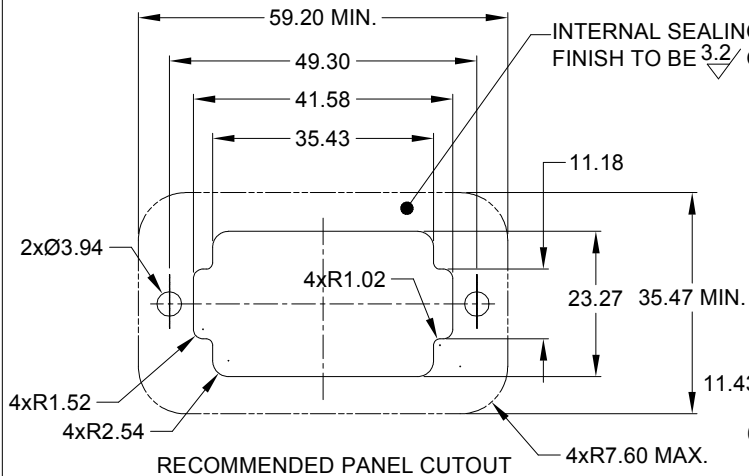


P/N AT13-12PD-BM1X
KEY-D CONFIGURATION
STANDARD COLOR: BROWN



| AT13-12PC-BMXX VARIANTS | | |
|-------------------------|-----------------------------|----------------|
| CONTACT PLATING | POTTING OR NOT IN RESERVOIR | PART NUMBER |
| TIN | NO POTTING | AT13-12PC-BM16 |
| TIN | POTTING | AT13-12PC-BM17 |
| GOLD | NO POTTING | AT13-12PC-BM18 |
| GOLD | POTTING | AT13-12PC-BM19 |

| AT13-12PD-BMXX VARIANTS | | |
|-------------------------|-----------------------------|----------------|
| CONTACT PLATING | POTTING OR NOT IN RESERVOIR | PART NUMBER |
| TIN | NO POTTING | AT13-12PD-BM16 |
| TIN | POTTING | AT13-12PD-BM17 |
| GOLD | NO POTTING | AT13-12PD-BM18 |
| GOLD | POTTING | AT13-12PD-BM19 |



| AT13-12PX-BM1X | | DESCRIPTION | | ITEM |
|---------------------------------------|-------------|----------------------------------------------------------------------------------------------------------------------------------------------------------------------------------------------------------------------------------------------------------------------|-----------|----------------|
| QUANTITY | PART NUMBER | MATERIALS LIST | | |
| UNLESS OTHERWISE SPECIFIED | | SIGNATURES | | DATE |
| 1) All dimensions are in metric (mm). | | DRAWN: BROOKING | 14/DEC/18 | |
| 2) Tolerances are as follows: | | CHECKED: ORIONLI | 14/DEC/18 | |
| 1 PL DEC ±0.30 | | ENGINEER: | | |
| 2 PL DEC ±0.15 | | APPROVAL: TOMMY.XIE | 14/DEC/18 | |
| 3 PL DEC ±0.08 | | CUSTOMER: | | |
| 3) Note reference = Δ | | THIS DRAWING IS SUPPLIED FOR INFORMATION ONLY. DESIGN FEATURES, SPECIFICATIONS AND PERFORMANCE DATA SHOWN HEREON ARE THE PROPERTY OF THE AMPHENOL CORPORATION. NO RIGHTS OF REPRODUCTION ARE IMPLIED. ALL DIMENSIONS ARE SUBJECT TO NORMAL MANUFACTURING VARIATIONS. | | |
| MATERIAL SPECIFICATIONS: | | SINE SYSTEMS - www.amphenol-sine.com 44724 Morley Drive Clinton Township, MI 48036 | | |
| PROCESS SPECIFICATIONS: | | PCB MOUNT RECEPTACLE, 12PIN RA FLANGE, AT SERIES | | |
| NEXT ASSY: | | SIZE | TYPE | DWG NO. |
| | | B | C- | AT13-12PX-BM1X |
| | | SCALE: NONE | REVISION | A1 |
| | | SHEET | 3 | OF 3 |

TITLE: PCB MOUNT RECEPTACLE, 12PIN, RA FLANGE, AT SERIES
DWG NO: AT13-12PX-BM1X
REV: A1
SH: 3
OF: 3