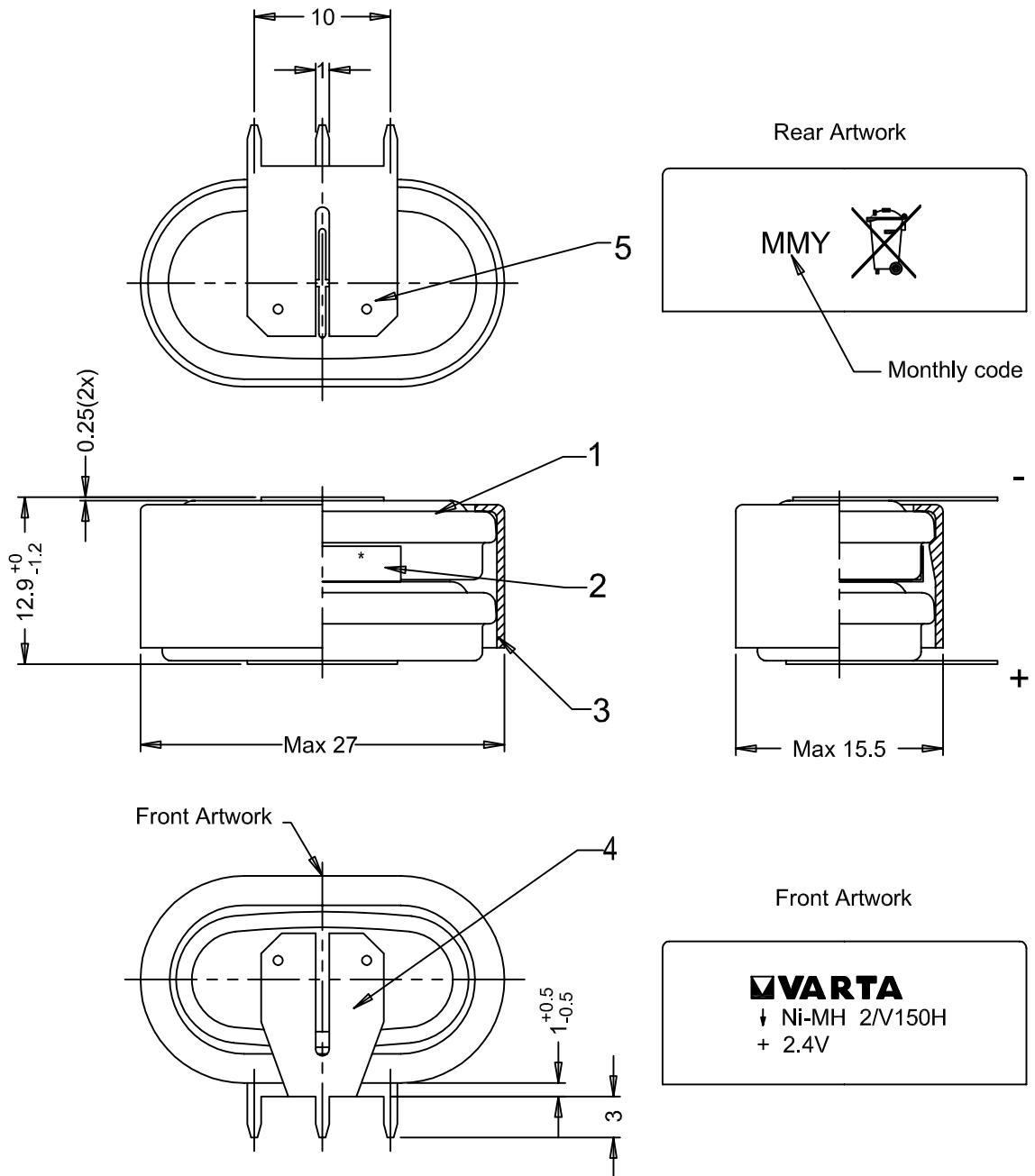


This is a controlled document.
 Hardcopy to be endorsed by authorised person.
 Check with Issuing Officer or SAP system for latest update.



Note: No welding onto the groove

Approx. wt : 12.4g

No	AO No	Revisions	Date	Name
2	11-R269	Change to Monthly code from Quarterly code	2011-12-29	Syamsul
1	R229/08	Add cross wheeled bin	2008-04-17	Syamsul

Projection:		Material: Refer to part list no: 070926		Description: 2/V150H battery with snap-on plastic casing & solder tags	
Dimensions in mm		Prepared & Checked 1997-09-23 A.P.ANG		Verified & Approved	
Tolerance: As specified		Scale: 2 : 1		Dwg. No: 070926	
				VKB Order No: 55615 602 059	

Rights reserved to make technical changes, as a result of further development, without notice. This drawing is the property of VARTA Microbattery and must not be copied or disclosed to a third party without the written consent of VARTA Microbattery.

