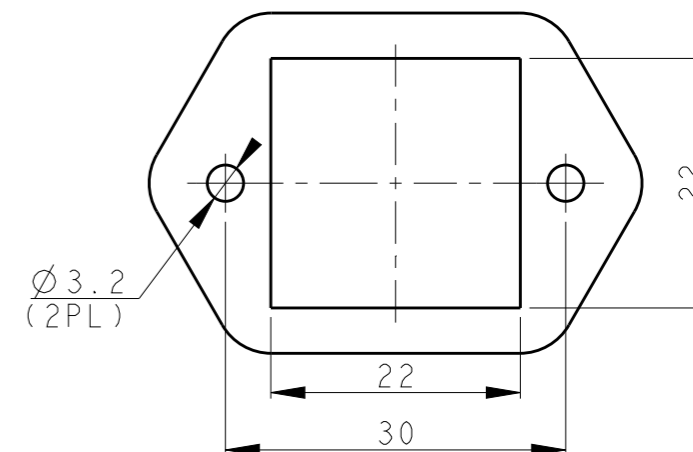
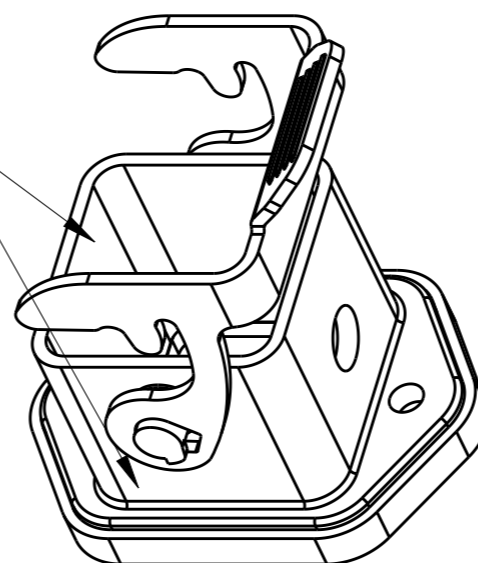
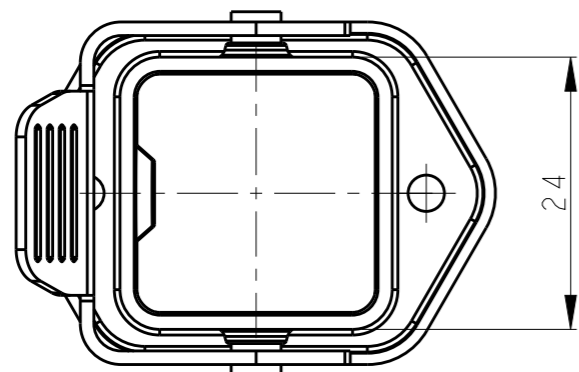


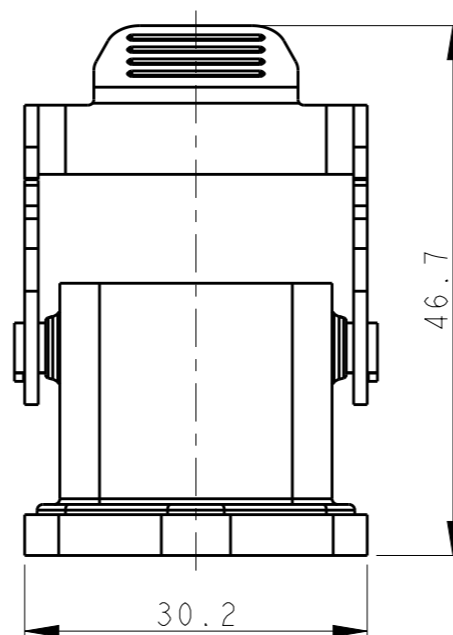
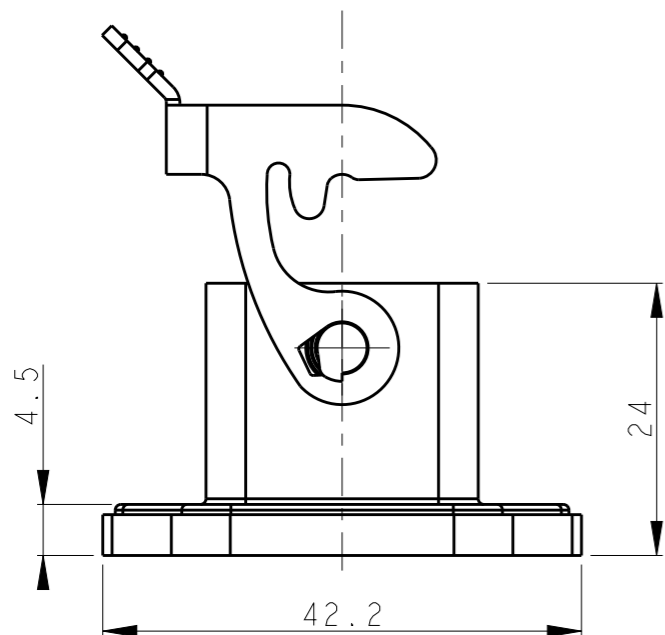
REVISIONS

P	LTR	DESCRIPTION	DATE	DWN	APVD
	A	INITIAL RELEASE	22APR2015	DL	CW

壳体内外均喷涂
COATING INSIDE AND OUTSIDE



PANNEL CUT OUT

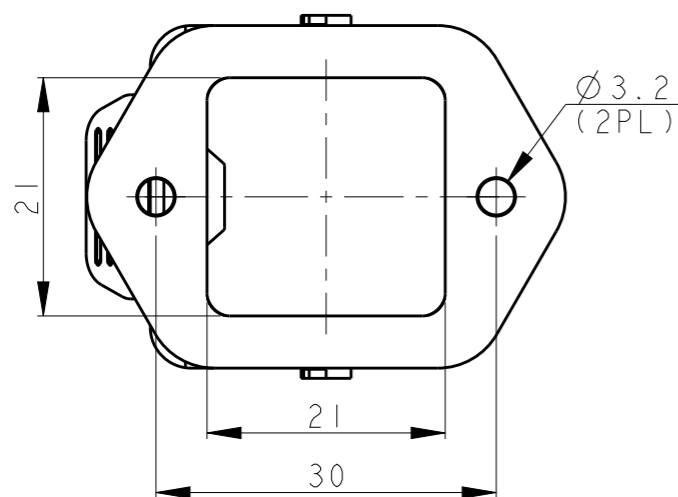


NOTES:


- 1. TECHNICAL CHARACTERISTICS:
 BODY MATERIAL: DIE CAST ZINC ALLOY
 SURFACE TREATMENT: POWDER-COATED, GRAY
 OPERATION TEMPERATURE: -40-+125°C
 DEGREE OF PROTECTION: IP65 (MATED)

注释:

- 1. 技术参数:
 主体材料: 锌合金
 表面处理: 粉末喷涂, 灰色
 工作温度: -40-+125°C
 防护等级: IP65(配合)



T1509031000-000	H3A-MAG-S
ASSEMBLY PART NUMBER	ASSEMBLY PART DESCRIPTION

THIS DRAWING IS A CONTROLLED DOCUMENT.		DWN	DAVID LI	22APR2015	 TE Connectivity NAME H3A-MAG-S	
DIMENSIONS: mm		CHK	CHRIS WANG	22APR2015		
TOLERANCES UNLESS OTHERWISE SPECIFIED:		APVD	XU XIANG	22APR2015		
0 PLC ±- 1 PLC ±- 2 PLC ±- 3 PLC ±- 4 PLC ±- ANGLES ±-		PRODUCT SPEC	108-137012			
MATERIAL	FINISH	APPLICATION SPEC	114-137012		SIZE	A3
-	-	WEIGHT	-		CAGE CODE	-
-	-	CUSTOMER DRAWING	-		DRAWING NO	©-T1509031000000
					RESTRICTED TO	-
					SCALE	3:2
					SHEET	1 OF 1
					REV	A