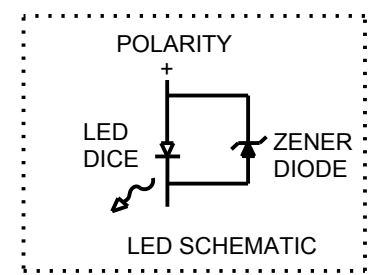
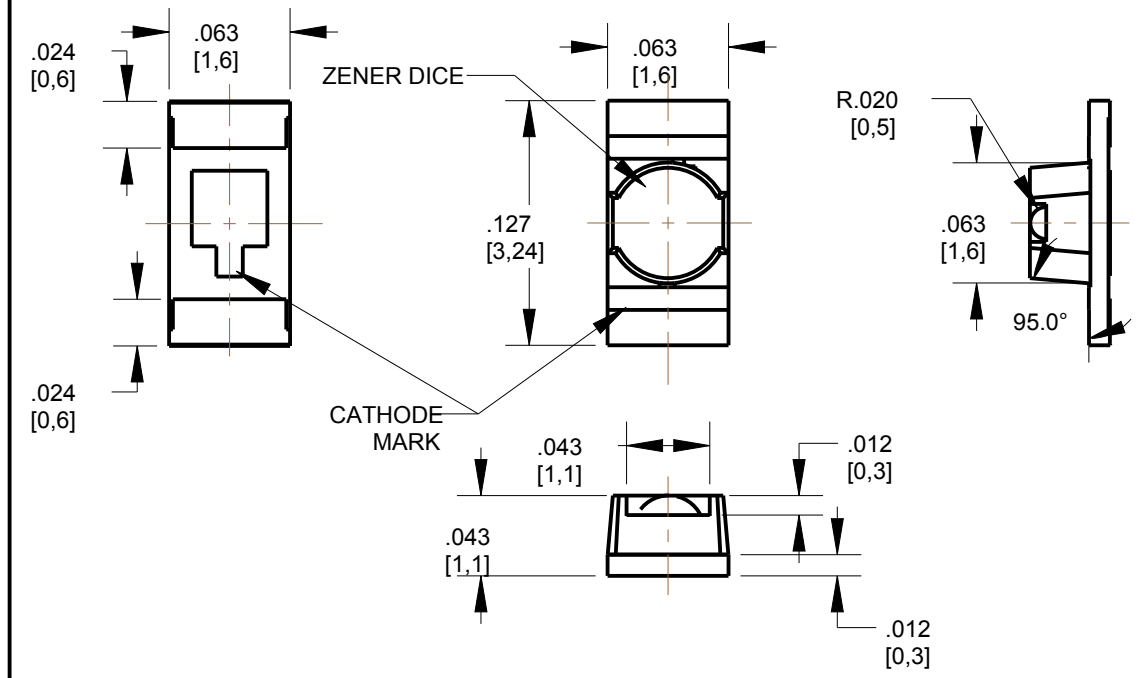


REV	ECN NO	REVISIONS	DRN	CKD	APP	DATE
A	—	NEW RELEASE	BP	—	NO	2-8-18
B	—	CHANGED .118" DIM TO .012"	LD	—	NO	6-25-18

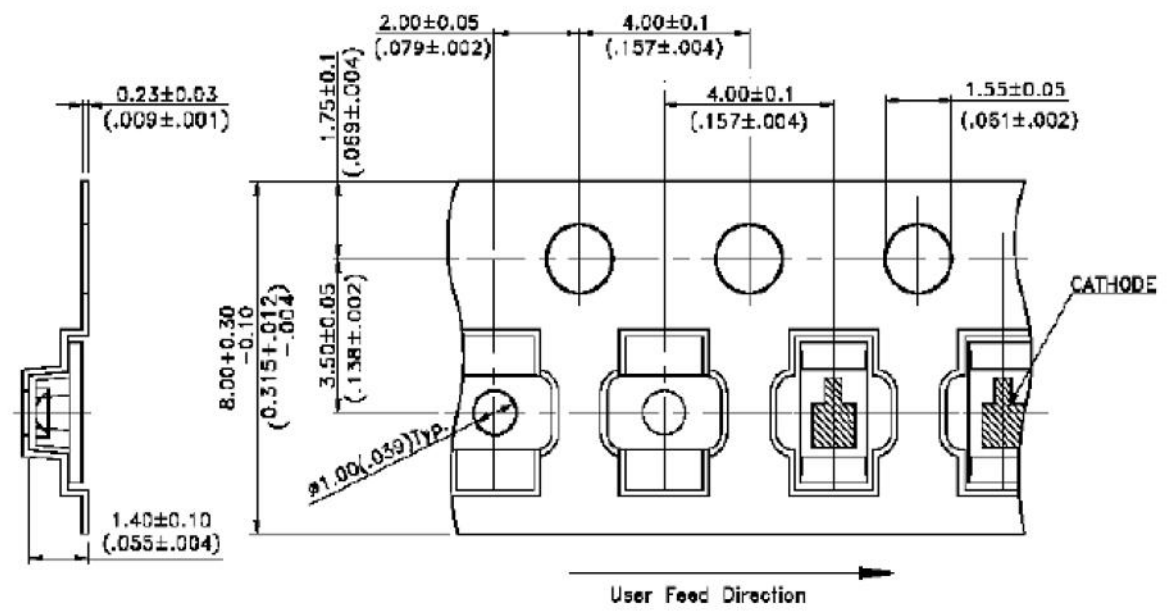


NOTES:

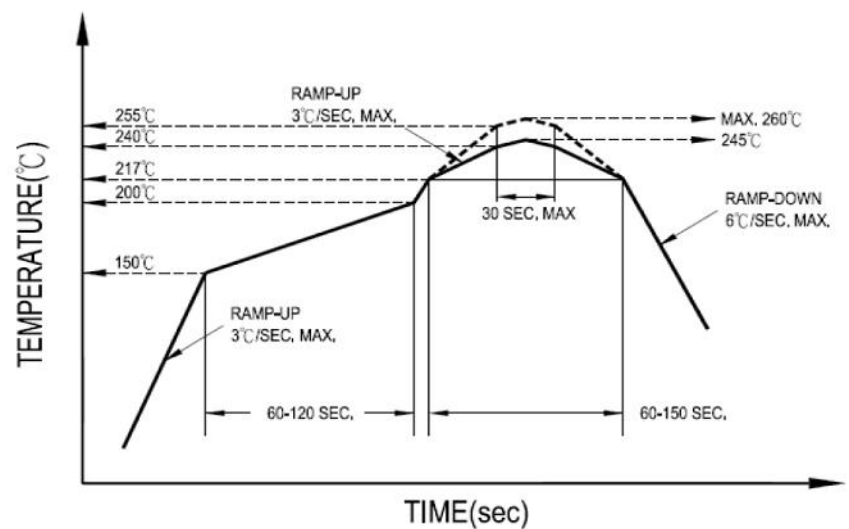
1. DIALIGHT P/N: 597-6325-602F, 597-6325-607F  
SUFFIX -602F FOR 20 PCS ON A SAMPLE TAPE STRIP  
SUFFIX -607F FOR 7" DUANETER REEL, PACKAGED 3000 PCS PER REEL.
2. LABELING FOR REEL AND OUTSIDE OF ALUMINUM FOIL BAG:  
DIALIGHT P/N, QUANTITY PER REEL, DATE CODE, INTENSITY BIN CODE,  
LOT NUMBER AND COUNTRY OF ORIGIN.
3. TAPE AND REEL LEDS MAY REQUIRE RE-TAPING AFTER TWELVE MONTHS.
4. ESD WITHSTAND VOLTAGE 2KV ACC. TO JESD22-A114-D

OPERATING CHARACTERISTICS AT 25° C AMBIENT											
LED COLOR	PEAK WAVELENGTH (nm)	LUMINOUS INTENSITY (mcd) @ I <sub>F</sub> =20mA			DOMINANT WAVELENGTH (nm) @ I <sub>F</sub> =20mA			FORWARD VOLTAGE (V) @ I <sub>F</sub> =20mA			VIEWING ANGLE (DEGREES)
		TYP	MIN	MAX	MIN	TYP	MAX	MIN	TYP	MAX	
GREEN	530	280	—	1120	520	—	535	2.8	—	3.8	70

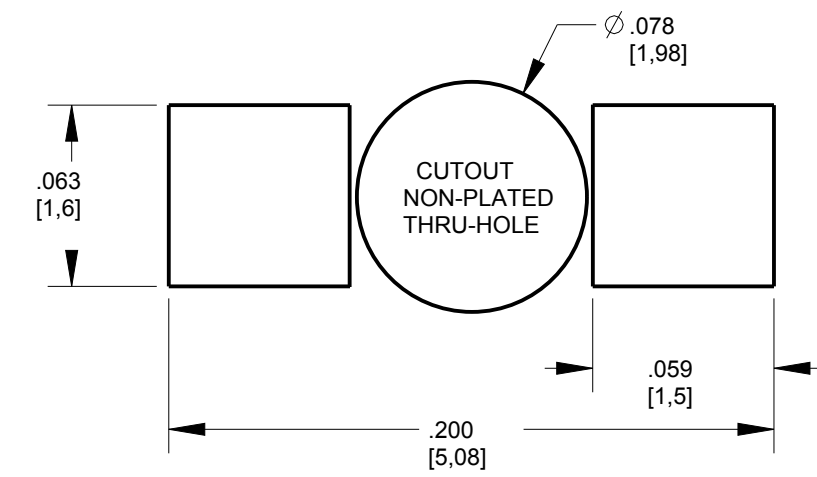
ABSOLUTE MAXIMUM RATINGS AT 25° C AMBIENT		
	GREEN	UNITS
POWER DISSIPATION	76	mW
CONTINUOUS FORWARD CURRENT	20	mA
PEAK FORWARD CURRENT (1/10 DUTY CYCLE, 10ms PULSE WIDTH)	100	mA
REFLOW SOLDERING TEMPERATURE FOR 10 SEC.	260	°C
OPERATING TEMPERATURE	-20 TO +80	°C
STORAGE TEMPERATURE	-30 TO +100	°C



PACKAGE DIMENSIONS OF TAPE AND REEL



RECOMMENDED ROHS SOLDER PROFILE



PRINTED CIRCUIT BOARD ATTACHMENT PAD



**ATTENTION:**  
OBSERVE PRECAUTIONS FOR  
HANDLING ELECTROSTATIC  
SENSITIVE DEVICES

THIS DRAWING AND THE CONTENTS HEREIN ARE CONFIDENTIAL AND THE SOLE PROPERTY OF DIALIGHT CORP. REPRODUCTION OF THIS DRAWING OR CONSTRUCTION OF ANY PARTS WITHIN THIS DRAWING ARE FORBIDDEN WITHOUT THE WRITTEN CONSENT OF DIALIGHT CORP.		
DIALIGHT CORP INTERNAL REFERENCE ONLY = 3D MODEL : 4500521846216-0		
SCALE: 10	DRAWING NUMBER	REV
ALL DIM's: INCH (mm)	C-18368	B
TOLERANCES: UNLESS OTHERWISE SPECIFIED	TITLE	
FRACTIONS: ±1/64 DECIMALS (.XX): ±.01 DECIMALS (.XXX): ±.005 DECIMALS (.XXXX): ±.0005 ANGLES: ±1°	SM 1206 REVMT GRN WZENER 20mA	
FINISH	MATERIAL	
FSCM 83330		
	SHEET 1 OF 1	FAMILY TABLE:

1501 ROUTE 34 SOUTH  
FARMINGDALE, NJ 07727  
(732) 919-3119  
www.dialight.com