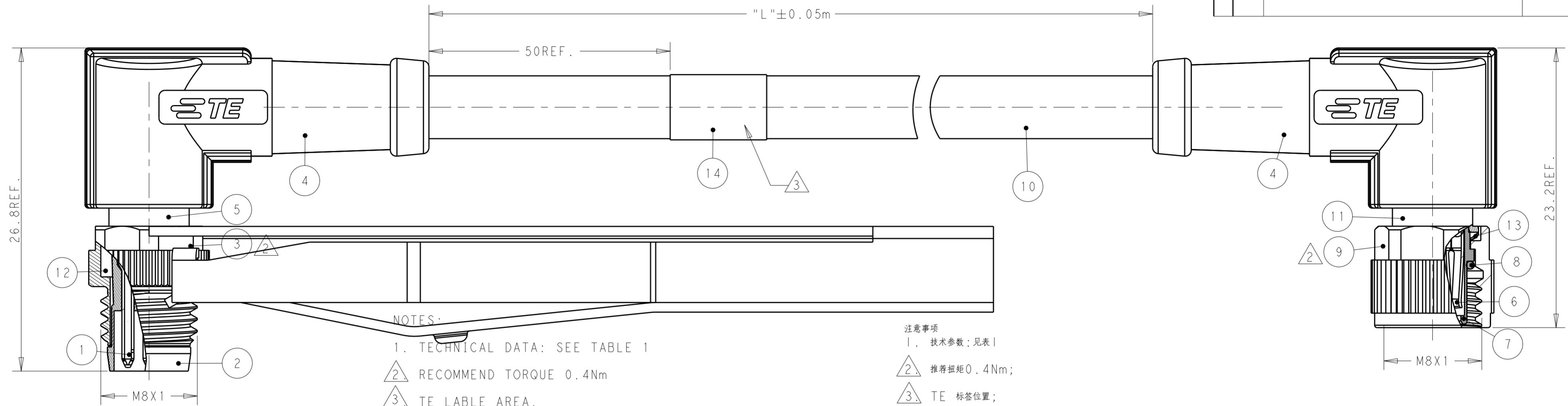


THIS DRAWING IS UNPUBLISHED. RELEASED FOR PUBLICATION 20  
 © COPYRIGHT 20 BY - ALL RIGHTS RESERVED.

REVISIONS				
P	LTR	DESCRIPTION	DATE	APVD
A		INITIAL RELEASE	24FEB2016	N.P X.X



NOTES:

- 1. TECHNICAL DATA: SEE TABLE 1
- 2 RECOMMEND TORQUE 0.4Nm
- 3 TE LABEL AREA.
- 4 -\*\* : CABLE LENGTH. -0.5:0.5m, -1.0:1.0m, -1.5:1.5m...
- 5. ALL PRODUCT MUST COMPLIANCE WITH ROHS AND REACH.

注意事项

- 1. 技术参数: 见表1
- 2 推荐扭矩0.4Nm;
- 3 TE 标签位置;
- 4 -\*\*线长: -0.5:0.5m, -1.0:1.0m, -1.5:1.5m
- 5. 产品必须符合ROHS与REACH.

VIEW A

VIEW B

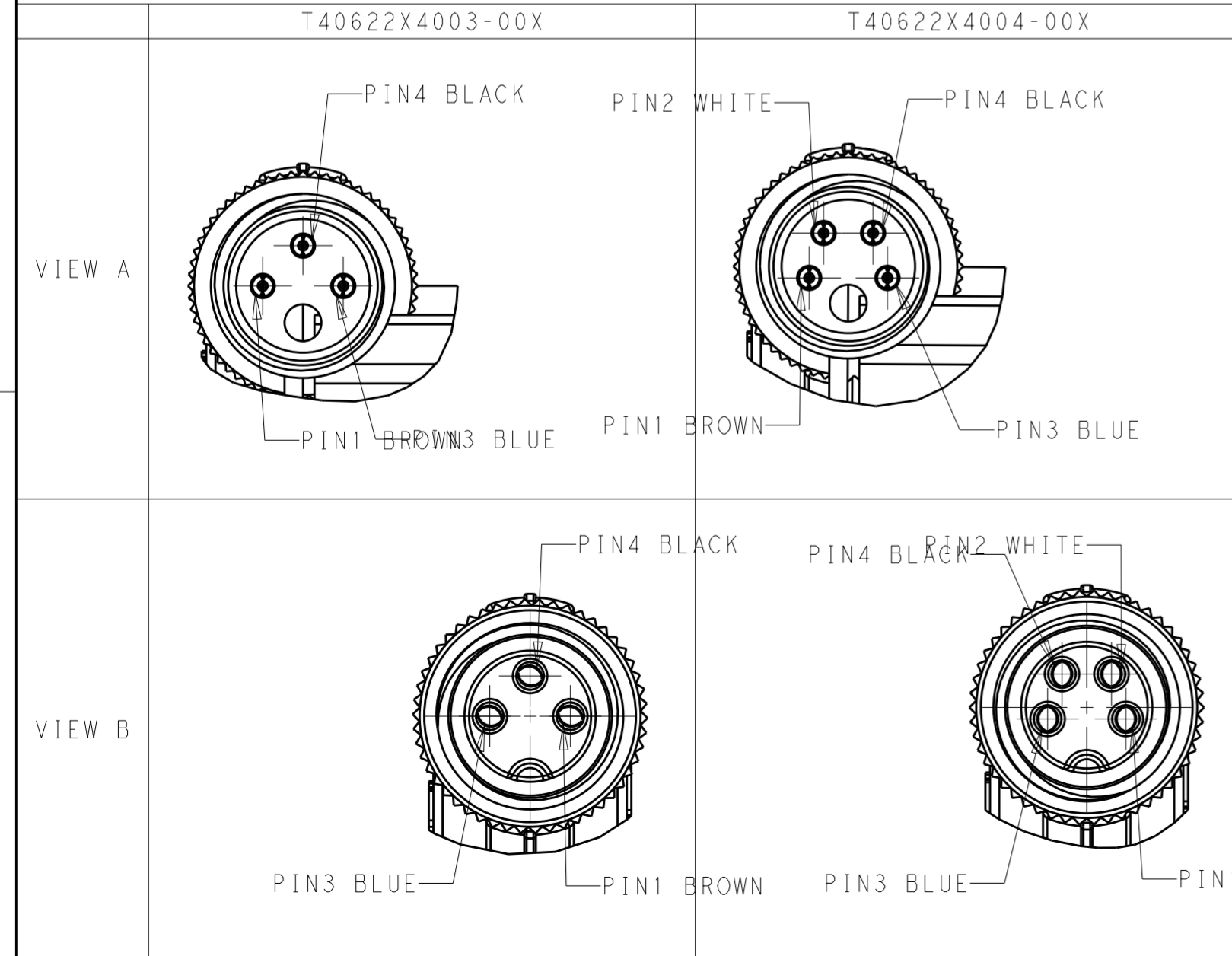


TABLE 1

TECHNICAL DATA	T40622X4003-00X	T40622X4004-00X
RATED VOLTAGE	60V	30V
RATED CURRENT		3A
POLLETION DEGREE		3
OVERVOLTAGE CATEGORY		II
MATERIAL GROUP		II
DEGREE OF PROTECTION		IP67

ITEM	DESCRIPTION	MATERIAL	ITEM
14	TE LABEL	-	-
13	WAVE WASHER	STEEL	-
12	SPRING	STEEL	-
11	SHIELDING	BRASS	-
10	CABLE	-	-
9	COUPLING NUT	COPPER ALLOY	-
8	O-RING	RUBBER	-
7	HOUSING	PA66	BALCK COLOR
6	CONTACT	COPPER ALLOY	GOLD FLASH
5	SHIELDING	COPPER ALOY	-
4	OVER-MOLDING	POLYURETHANE	BLUE COLOR
3	COUPLING NUT	COPPER ALLOY	-
2	HOUSING	PA66	BALCK COLOR
1	CONTACT	COPPER ALLOY	GOLD FLASH

WIRES: 0.25mm <sup>2</sup> (24AWG)	LENGTH "L"	RECOMMEND OPERATION TEMPERATURE FOR CABLE	JACKET COLOR	JACKET MATERIAL	TYPE	POS.	PART NUMBER		
-001: 0.5m	FIXED: -25°C~80°C FLXIBLE: -10°C~80°C	GRAY	PUR (UL)	RPC-M8-4MR-**SH-M8-4FR-PUR	4	T4062224004-00X			
-002: 1.0m					3	T4062224003-00X			
-003: 1.5m					FIXED: -10°C~80°C FLXIBLE: -5°C~80°C	BLACK	PVC (UL)	4	T4062214004-00X
-004: 3.0m								3	T4062214003-00X
-005: 5.0m									
-006: 7.0m									
-007: 10.0m									

THIS DRAWING IS A CONTROLLED DOCUMENT.

DIMENSIONS: mm

TOLERANCES UNLESS OTHERWISE SPECIFIED:

0 PLC	±	
1 PLC	±0.50	
2 PLC	±0.35	
3 PLC	±	
4 PLC	±	

ANGLES: ±

FINISH: -

MATERIAL: TBD

APVD: Xiang Xu

PRODUCT SPEC: 108-106140

APPLICATION SPEC: -

WEIGHT: -

CUSTOMER DRAWING

SCALE: 1:1

SHEET: 1 OF 1

REV: A

TE Connectivity

M8 CABLE ASSEMBLY SHIELDED TYPE DOUBLE ENDED

SIZE: A2

CAGE CODE: -

DRAWING NO: C-T40622X400X00X