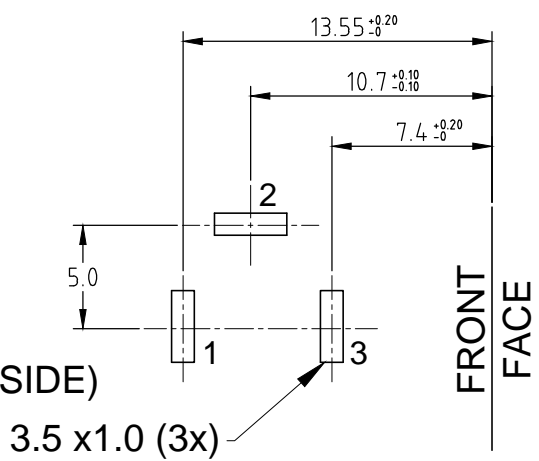


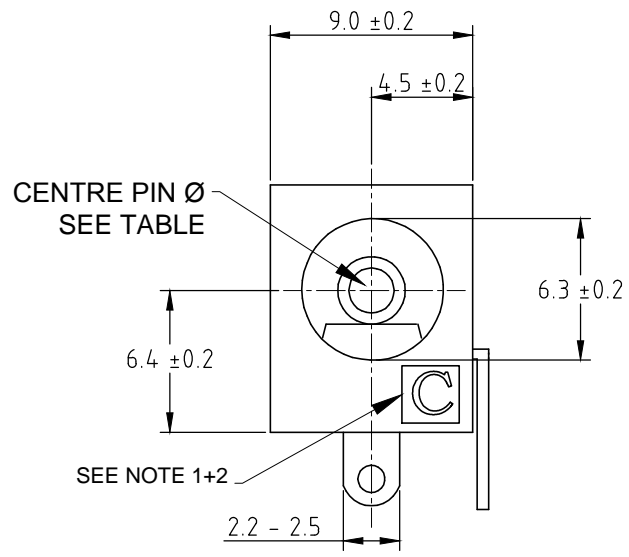
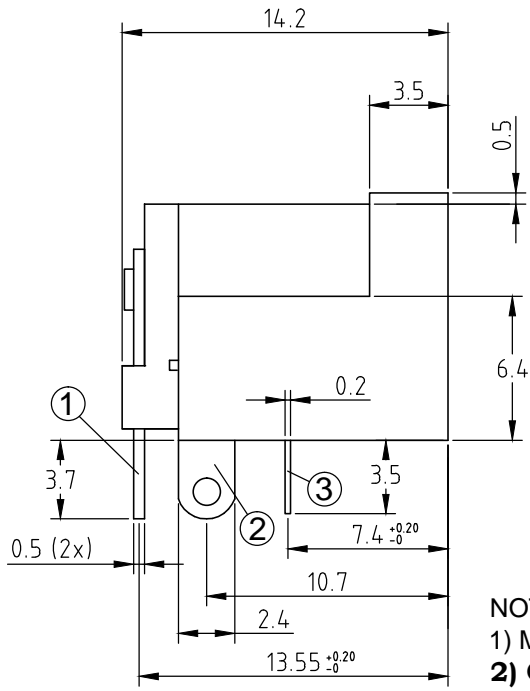
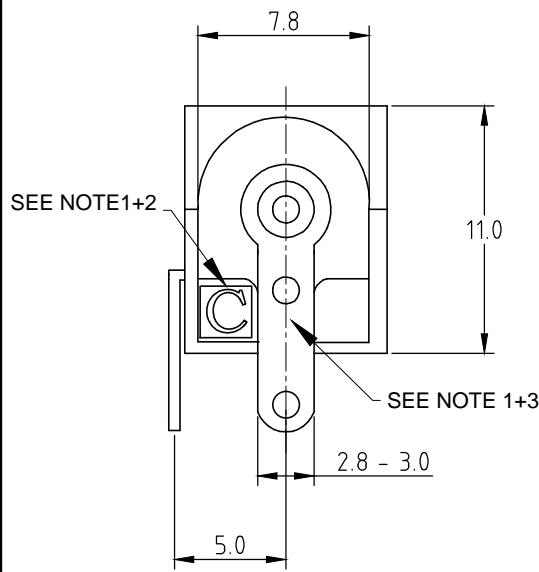
PART NO.	FC68148	FC68149
MODEL NO.	DC-10A	DC-10B
CENTRE PIN Ø	Ø2.1	Ø2.5
SCHEMATIC		

ISS.	AMEND	DATE
1	REDRAWN	29/05/90
2	ERROR CORRECTED	01/11/90
3	MATERIAL PBT	14/02/91
4	P/Nos ADDED	17/02/94
5	RoHS+PC LAYOUT	24/07/09
6	PIN NUMBERS ADDED	20/08/12
7	MULTIPLE TOOL INFO	21/02/13
8	PIN OUT TOL ADD	04/03/13
9	Ø2.10 WAS Ø2.00	31/10/14

PC LAYOUT  
(COMPONENT / TOP SIDE)



RATED 12V DC - 5A (60VA)



- NOTES
- 1) MULTIPLE TOOLS ARE USED FOR THIS PART.
  - 2) **CLIFF** LOGO CAN BE ON FRONT OR REAR AS SHOWN.
  - 3) REAR CONTACT APPEARANCE MAY CHANGE.
  - 4) PIN LAYOUT APPLIES TO ALL PRODUCTS. SEE IMAGES FOR VARIATIONS.

<b>RoHS</b> COMPLIANT
TOLERANCE
NO DEC. PLACE ± 0.20
1 DEC. PLACE ± 0.15
2 DEC. PLACE ± 0.10
HOLE Ø ± 0.10
ANGLES ± 1/2°
UNLESS OTHERWISE STATED
DO NOT SCALE

**Cliff Electronic Components Ltd.**  
76 Holmehorpe Avenue, Holmehorpe Industrial Estate,  
Redhill, Surrey, RH1 2PF, England, UK  
Tel: 01737-771375 Fax: 01737-766012 Website: www.cliffuk.co.uk

DIMENSIONS IN MILLIMETERS UNLESS OTHERWISE STATED. WORK TO DIMENSIONS. REMOVE ALL BURRS. IF IN DOUBT ASK.

3rd ANGLE PROJECTION:

MATERIAL: 20% GF PBT / BRASS

TITLE: DC POWER SOCKET DC10

FINISH: AS MOULDED / Ni / Ag PLATED

DRWG. No. **FC68148** FORM: A4DRWGH

THE CONTENTS OF THIS DOCUMENT MUST NOT BE COPIED OR DISCLOSED TO A 3rd PARTY WITHOUT WRITTEN PERMISSION OF CLIFF UK. © 1990

DRAWN: C.A.M.J.

APPROVED: R.W.T.

FORM: A4DRWGH