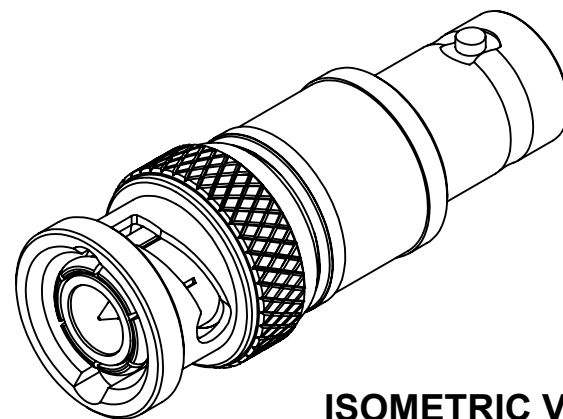
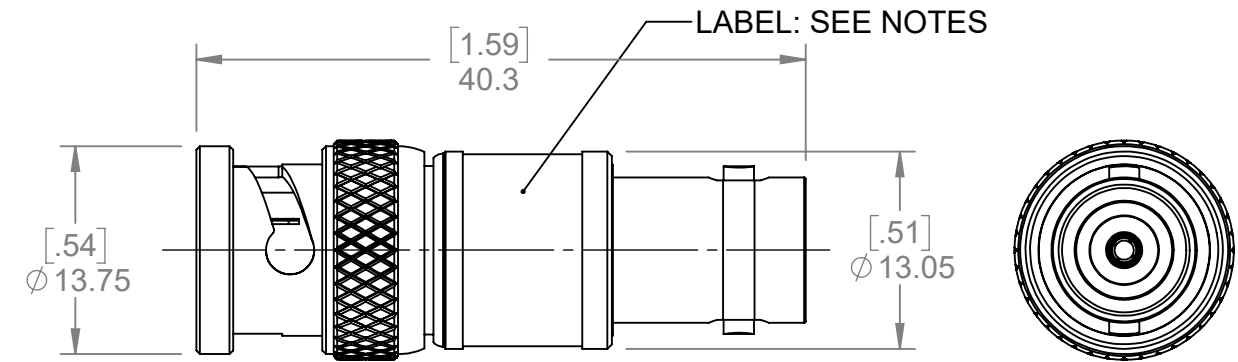
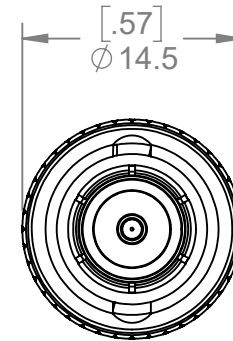


THIS IS ISSUED IN STRICT CONFIDENCE THAT IT IS NOT USED AS A BASIS FOR MANUFACTURE OR SALE AND THAT IT IS NOT COPIED, REPRINTED OR DISCLOSED TO A THIRD PARTY EITHER WHOLLY OR IN PART WITHOUT THE PRIOR WRITTEN CONSENT OF CAL TEST ELECTRONICS, INC.

REVISIONS			
REV.	DESCRIPTION	DATE	APPROVED
A	CLASS A RELEASED	1/14/2019	

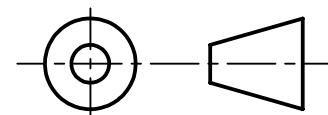
- NOTES:**
- MATERIAL:**
 - BODY, COUPLING NUT & MALE CONTACT: BRASS
 - FEMALE CONTACT: BECU
 - DIELECTRIC: PTFE
 - GASKET: SILICONE RUBBER
 - PLATING:**
 - COUPLING NUT & SHELL: NICKEL PLATED
 - FEMALE BODY & CENTER CONTACTS: GOLD PLATED
 - MARKING LABEL:**
 - "50 Ω FEED-THRU TERMINATOR 1 GHZ / 2 W CT2944C-50 MADE IN TAIWAN"
 - WHITE LETTERS ON BLACK BACKGROUND
 - SPECIFICATIONS:**
 - IMPEDANCE: 50 Ω ±0.35 Ω
 - FREQUENCY RANGE: 1 GHZ
 - VSWR MAX.: ≤1.10:1 DC TO 500 MHZ / ≤1.20:1 500 MHZ TO 1 GHZ
 - POWER: 2 W (AVG) @ 25°C DERATED LINERALLY TO 0.5 W @ 125°C
 - INPUT VOLTAGE: <10 V DC . 20 V P-P AC
 - ACCURACY: 0.7%
 - OPERATING TEMPERATURE: 0°C TO +125°
 - ROHS 2: COMPLIANT



ISOMETRIC VIEW

METRIC

THIRD ANGLE PROJECTION



CT2944C-50	50 OHM, FEED-THRU TERMINATOR	-
PART NUMBER	CONFIGURATION	NOTES / REFERENCE
PART NUMBER TABLE		

UNLESS OTHERWISE SPECIFIED DIMENSIONS ARE IN MILLIMETERS TOLERANCES ARE: PER DIN ISO 2768m	PROJECT NO. A535		Cal Test Electronics 22820 Savi Ranch Parkway Yorba Linda, CA 92887	
	APPROVALS	DATE	TITLE TERMINATOR, BNC FEED-THRU, 1 GHZ, 2 W	
DO NOT SCALE DRAWING	DRAWN WDH	1/14/2019		
MATERIAL SEE NOTES	CHECKER B.Hansen	1/14/2019	SIZE B	CAGE CODE 43F45
TREATMENT N/A	ENGR. NONE		DWG. NO. P2944C0	REV. A
FINISH SEE NOTES	DESIGN ACTIVITY NONE		SCALE 2:1	SHEET 1 OF 1