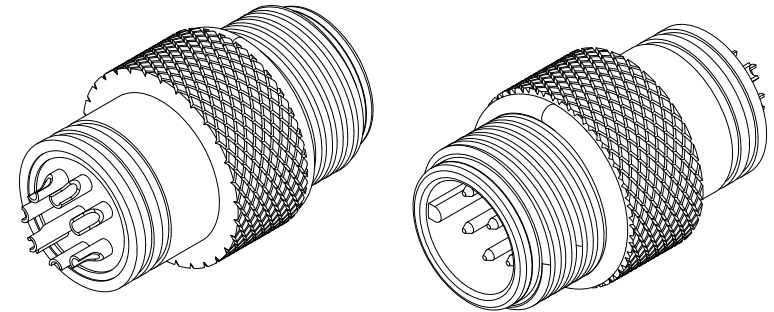
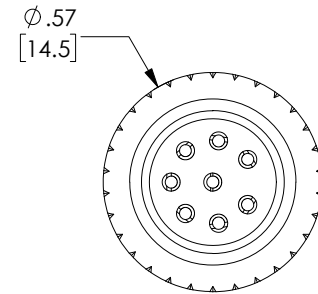
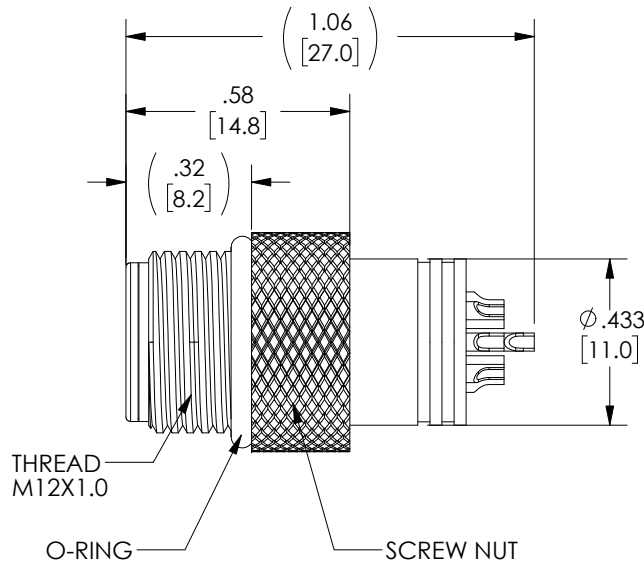
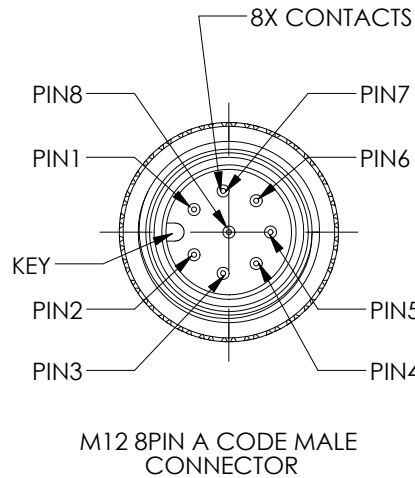


THE INFORMATION CONTAINED IN THIS DRAWING IS THE SOLE PROPERTY OF L-COM, INC. ANY REPRODUCTION IN PART OR WHOLE WITHOUT THE WRITTEN PERMISSION OF L-COM, INC. IS PROHIBITED.

REVISIONS			
REV	DESCRIPTION	DATE	APPROVED
A	REV A DRAWING RELEASED	05/16/2018	DCUI
B	ECN 9390:CONTACT RESISTANCE CHANGE TO 10 MILLI-OHM MAX.	08/30/2018	BGATES



NOTES

MATERIAL:

CONTACT: COPPER ALLOY, GOLD FLASH PLATE
HOUSING: THERMOPLASTIC, UL94 V-0, BLACK
SHELL/SCREW NUT: BRASS, NICKEL PLATE
O-RING: SILICONE

ELECTRICAL:

NOMINAL VOLTAGE RATING: 30 V
MAX CURRENT: 2A

CONTACT RESISTANCE: 10 MILLI OHM MAX.
INSULATION RESISTANCE: 1000MΩ MIN.

APPLICATION:

INGRESS PROTECTION RATING IS IP67

ENVIRONMENTAL:

OPERATING TEMPERATURE RANGE: -25°C TO +85°C

MISCELLANEOUS:

CONNECTOR SHALL BE INDIVIDUALLY PACKAGED IN ACCORDANCE WITH L-COM SPECIFICATION PS-0031.

REGULATORY COMPLIANCE:

CE2011/65/EU (RoHS DIRECTIVE)

UNLESS OTHERWISE SPECIFIED, DIMENSIONS ARE IN INCHES [mm] OVERALL CABLE LENGTH TOLERANCE: ≤12 [305] = +1 [25] / -0 >12 [305] ≤60 [1524] = +2 [51] / -0 >60 [1524] ≤120 [3048] = +4 [102] / -0 >120 [3048] ≤300 [7620] = +6 [152] / -0 >300 [7620] = +5% / -0% ALL OTHER DIMENSIONAL TOLERANCES: .X = ±.2 [5.08] .XX = ±.02 [1.51] .XXX = ±.005 [1.13]	APPROVALS DRAWN BY CN_Derek_Cui	DATE 05/16/2018		50 HIGH STREET NORTH ANDOVER, MA 01845	
	CHECKED BY CN_Shawn_Pan	DATE 05/16/2018		CATEGORY TELECOM/MODULAR	
	APPROVED BY DGUTTADAURO	DATE 05/16/2018	PRODUCT DESCRIPTION M12 8P A-CODE MALE CONNECTOR MOLDING TYPE		
	PROJECTION 	COLOR VARIATIONS MAY OCCUR	SIZE A	FSCM NO. 43321	DWG. NO. M128AM-MLD

SCALE: NONE CAD FILE: M128AM-MLD.SLDDRW SHEET 1 OF 1