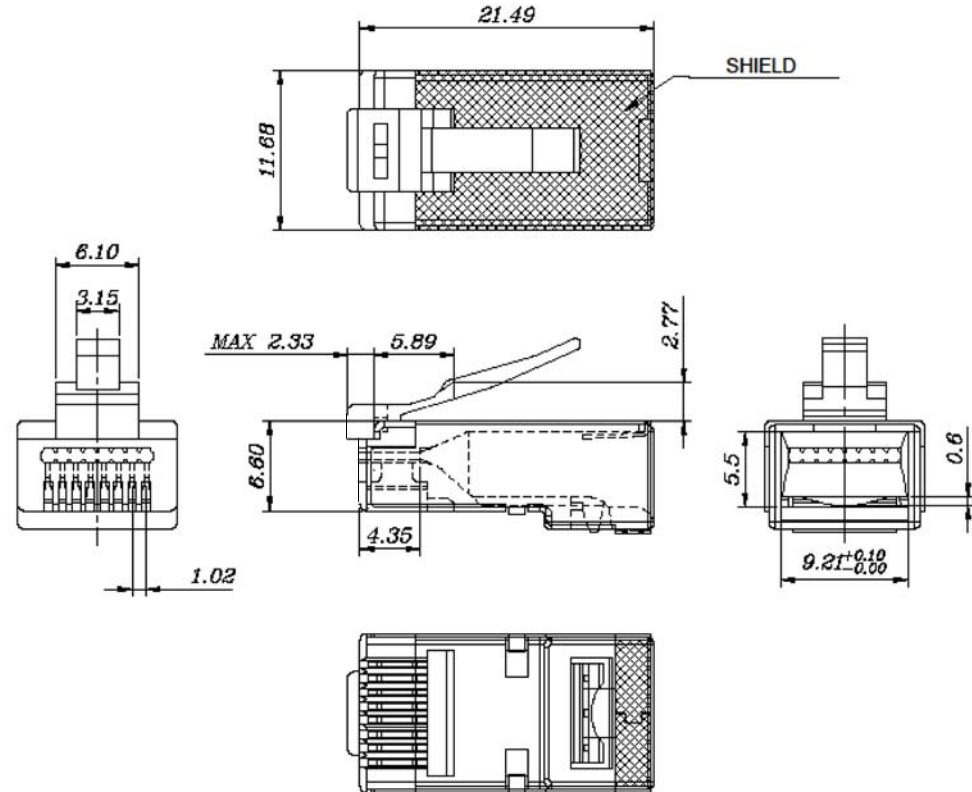


THE INFORMATION CONTAINED IN THIS DRAWING IS THE SOLE PROPERTY OF L-COM, INC. ANY REPRODUCTION IN PART OR WHOLE WITHOUT THE WRITTEN PERMISSION OF L-COM, INC. IS PROHIBITED.

REVISIONS			
REV	DESCRIPTION	DATE	APPROVED
A	REV A DRAWING RELEASED	09/25/2018	DFRISIELLO



SPECIFICATIONS:

1. ELECTRICAL:

UL APPLICATIONS: 250 VOLTS AC MAX., AT 2 AMPS
 DIELECTRIC WITHSTANDING VOLTAGE: 1000 VOLTS AC WITH STAND VOLTAGE TIME: 60S
 INSULATION RESISTANCE: 100 MΩ
 TERMINATION RESISTANCE: 20MΩ MAX AFTER ENVIRONMENTAL TESTING.

2. MECHANICAL:

CABLE-TO-PLUG TENSILE STRENGTH: 20 POUND MIN.
 DURABILITY: 200 MATING CYCLES

3. MATERIAL & FINISH:

HOUSING: POLYCARBONATE, UL94V-0 OR UL94V-2
 COLOR: TRANSPARENT
 CONTACT BLADE: COPPER ALLOY
 CONDUCTOR: STRANDED OR SOLID WIRE, 24AWG, 26AWG (O.D. WIRE FROM .037 [.96] TO .040 [1.02])
 GOLD PLATING: 50μ"
 SHIELDING SHELL: COPPER ALLOY

NOTES:

ALL DIMENSIONS ARE FOR REFERENCE ONLY.

PLUG SHALL BE PACKAGED IN BULK, 100 PIECES PER BAG IN ACCORDANCE WITH L-COM SPECIFICATION PS-0031.

REGULATORY COMPLIANCE:

CE2011/65/EU (RoHS DIRECTIVE)

UNLESS OTHERWISE SPECIFIED, DIMENSIONS ARE IN INCHES [mm] OVERALL CABLE LENGTH TOLERANCE: ≤12 [305] = +1 [25] / -0 >12 [305] ≤60 [1524] = +2 [51] / -0 >60 [1524] ≤120 [3048] = +4 [102] / -0 >120 [3048] ≤300 [7620] = +6 [152] / -0 >300 [7620] = +5% / -0% ALL OTHER DIMENSIONAL TOLERANCES: .X = ± .2 [5.08] .XX = ± .02 [51] .XXX = ± .005 [1.27]	APPROVALS	DATE		50 HIGH STREET NORTH ANDOVER, MA 01845
	DRAWN BY DFRISIELLO	09/21/2018		
PROJECTION 	CHECKED BY DGUTTADAURO	09/25/2018	CATEGORY TELECOM/MODULAR	
	APPROVED BY DGUTTADAURO	09/25/2018	PRODUCT DESCRIPTION Pull Through RJ45 Plug Cat6 Shielded	
CONFIGURATION DETAILS OF UNDIMENSIONED FEATURES MAY VARY COLOR VARIATIONS MAY OCCUR	SIZE A	FSCM NO. 43321	DWG. NO. TDPTC6S	REV. A
SCALE: NONE		CAD FILE: TDPTC6S.SLDDRW		SHEET 1 OF 1