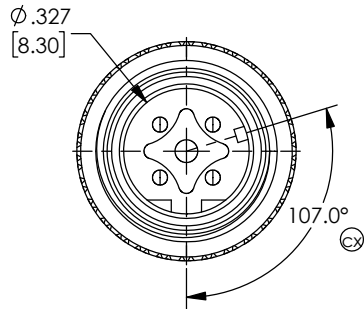


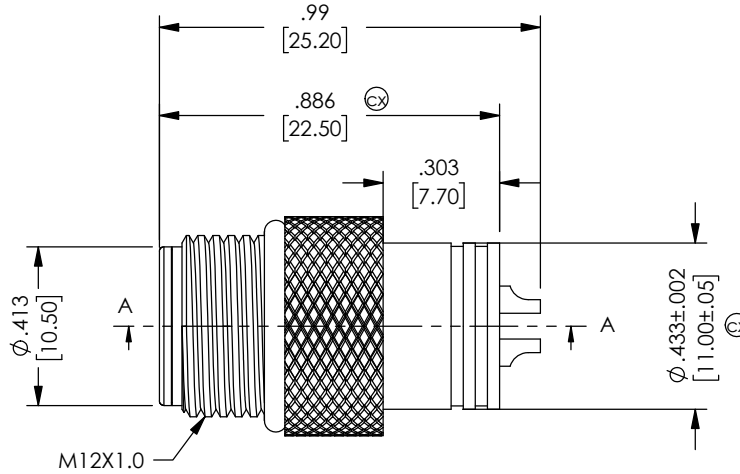
THE INFORMATION CONTAINED IN THIS DRAWING IS THE SOLE PROPERTY OF L-COM, INC. ANY REPRODUCTION IN PART OR WHOLE WITHOUT THE WRITTEN PERMISSION OF L-COM, INC. IS PROHIBITED.

REVISIONS			
REV	DESCRIPTION	DATE	APPROVED
A	INITIAL RELEASE	3/1/18	D.FRISIELLO

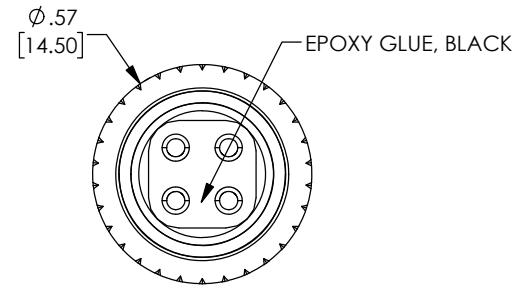
MATERIAL LIST				
ITEM	DESCRIPTION	MATERIAL	PLATING/COLOR	QTY
1	CONTACT	QSN4-3	GOLD PLATED 15U" & NICKEL	4
2	SHIELD	H59	NICKEL	1
3	CONTACT MOUNT	PA	BLACK	1
4	SCREW NUT	H59	NICKEL	1
5	O-RING	EPDM	BLACK	1
6	SPRING	SUS	NA	1



4PIN D CODE MALE CONNECTOR FRONT VIEW



SECTION A-A



NOTES

MATERIAL
SEE MATERIAL LIST

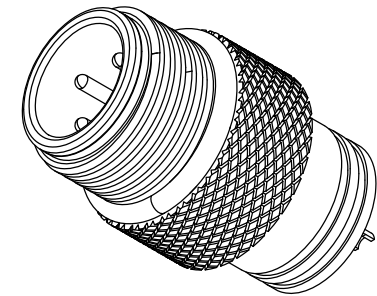
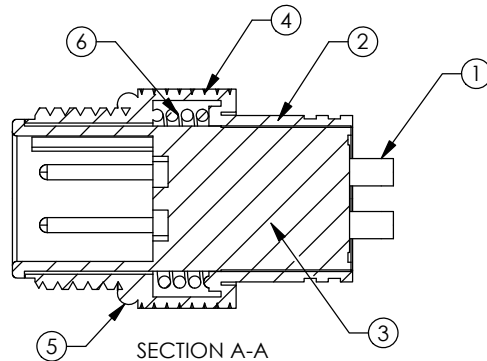
ELECTRICAL
CURRENT RATING: 4 A
VOLTAGE: 250V
CONTACT RESISTANCE: 3mΩ MAX
INSULATION RESISTANCE: 1000MΩ MIN

ENVIRONMENT
OPERATING TEMPERATURE: -40~85°C

APPLICATION
UL FLAMMABILITY: IEC 60695-11-10, UL94V-0
CONNECTOR NEED MEET :IEC 61076-2-101 STANDARD
INGRESS PROTECTION RATING IS IP68(MATED, 1METER ,24HOUR)

⊗ PRESENT CRITICAL DIMENSIONS

REGULATORY COMPLIANCE:
CE2011/65/EU (RoHS DIRECTIVE)



UNLESS OTHERWISE SPECIFIED, DIMENSIONS ARE IN INCHES [mm] OVERALL CABLE LENGTH TOLERANCE: ≤12 [305] = +1 [25] / -0 >12 [305] ≤60 [1524] = +2 [51] / -0 >60 [1524] ≤120 [3048] = +4 [102] / -0 >120 [3048] ≤300 [7620] = +6 [152] / -0 >300 [7620] = +5% / -0%	APPROVALS	DATE			50 HIGH STREET NORTH ANDOVER, MA 01845	
	DRAWN BY D.CUI	2/7/18			CATEGORY TELECOM/MODULAR	
ALL OTHER DIMENSIONAL TOLERANCES: .X = ± .2 [5.08] .XX = ± .02 [5.1] .XXX = ± .005 [1.3]	CHECKED BY D.FRISIELLO	2/7/17	PRODUCT DESCRIPTION M12 4PIN D CODE SHIELD MALE			
	APPROVED BY D.GUITADAURO	3/1/18	SIZE A	FSCM NO. 43321	DWG. NO. M124DM-MLD	REV. A
PROJECTION 	COLOR VARIATIONS MAY OCCUR		SCALE: NONE		CAD FILE: M124DM-MLD.SLDDRW	SHEET 1 OF 1