

**MICRO SWITCH**

A DIVISION OF MINNEAPOLIS-HONEYWELL REGULATOR COMPANY  
MINNEAPOLIS, MINNESOTA

FED. MFR. CODE 91929

**TERMINAL BLOCK-  
ENCLOSED**

CATALOG LISTING

18PA1

18PA1

**M**

DRAWING NUMBER

5

ISSUE

REPLACES

SR6921

RELEASE NO.

16 SEPT. '57

CHK

10 SEPT. '57

CHK

JUN 17 SEPT. '57

CHK

10 SEPT. '57

CHK

10 SEPT. '57

CHK

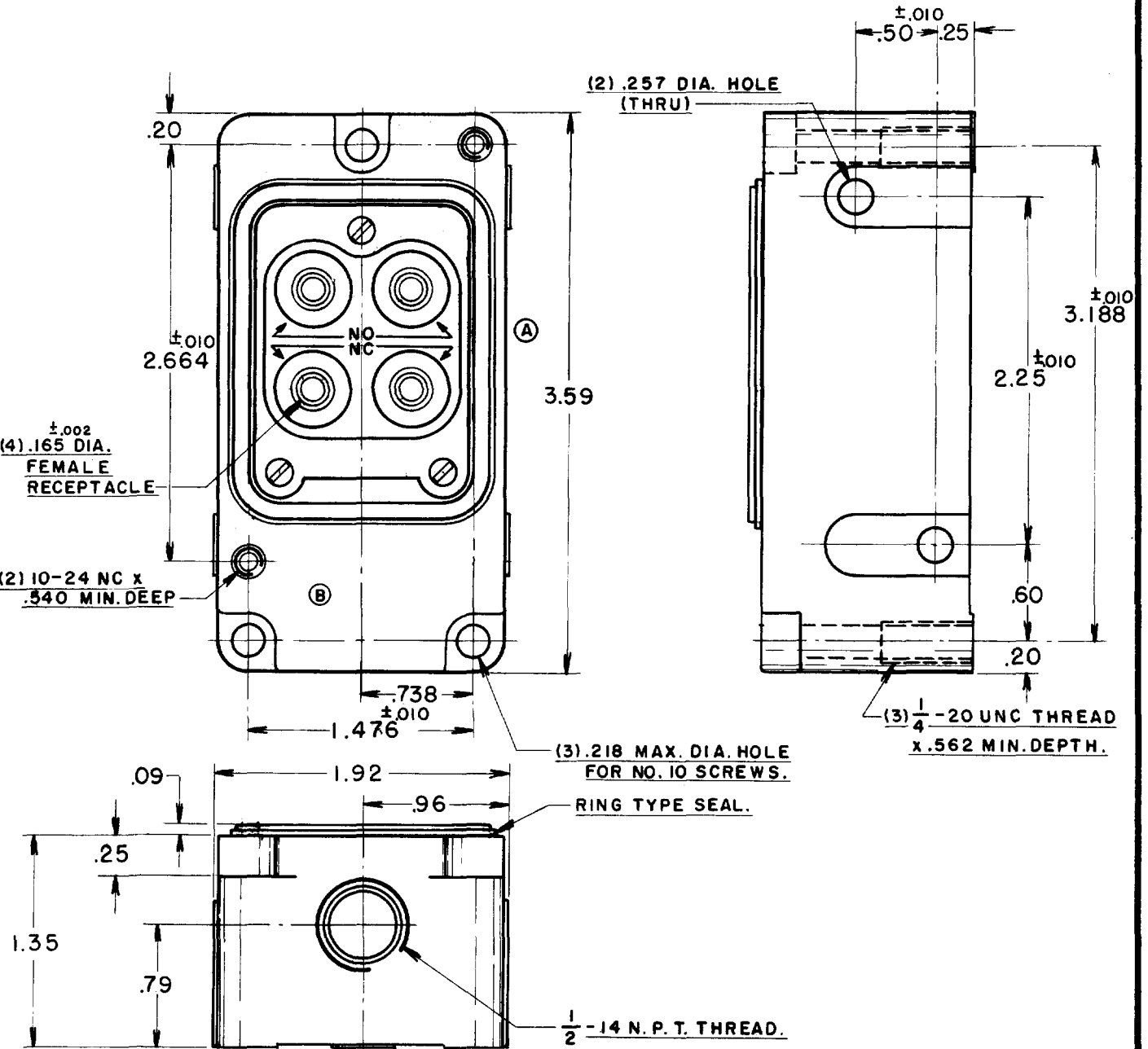
10 SEPT. '57

CHK

10 SEPT. '57

CHK

10 SEPT. '57



**NOTE**  
 1- ALUMINUM HOUSING FINISHED IN BLUE PAINT.  
 2- TERMINAL BLOCK IS REMOVEABLE FOR WIRING. (4) 8-32 NC TERMINAL SCREWS AND WASHERS (SEMS). (4) STRAPS INCLUDED FOR TERMINATION WITH STRIPPED BARE WIRE.

THIS DRAWING COVERS A PROPRIETARY ITEM AND IS THE PROPERTY OF MICRO SWITCH, A DIVISION OF HONEYWELL. THIS DRAWING IS NOT TO BE COPIED OR USED WITHOUT THE APPROVAL OF MICRO SWITCH.

CHARACTERISTICS	ELECTRICAL DATA		SCALE FULL
	CONTACT ARRANGEMENT	BREAK DISTANCE	DO NOT SCALE PRINT
			UNLESS OTHERWISE SPECIFIED DIMENSIONS ARE IN INCHES
			<b>TOLERANCES ARE:</b>
			ONE PLACE (.0) ±.030
			TWO PLACE (.00) ±.015
			THREE PLACE (.000) ±.005
			ANGLES ±
			WEIGHT

FORMTEK

DRAWN

R. G. C. 10. SEPT. '57