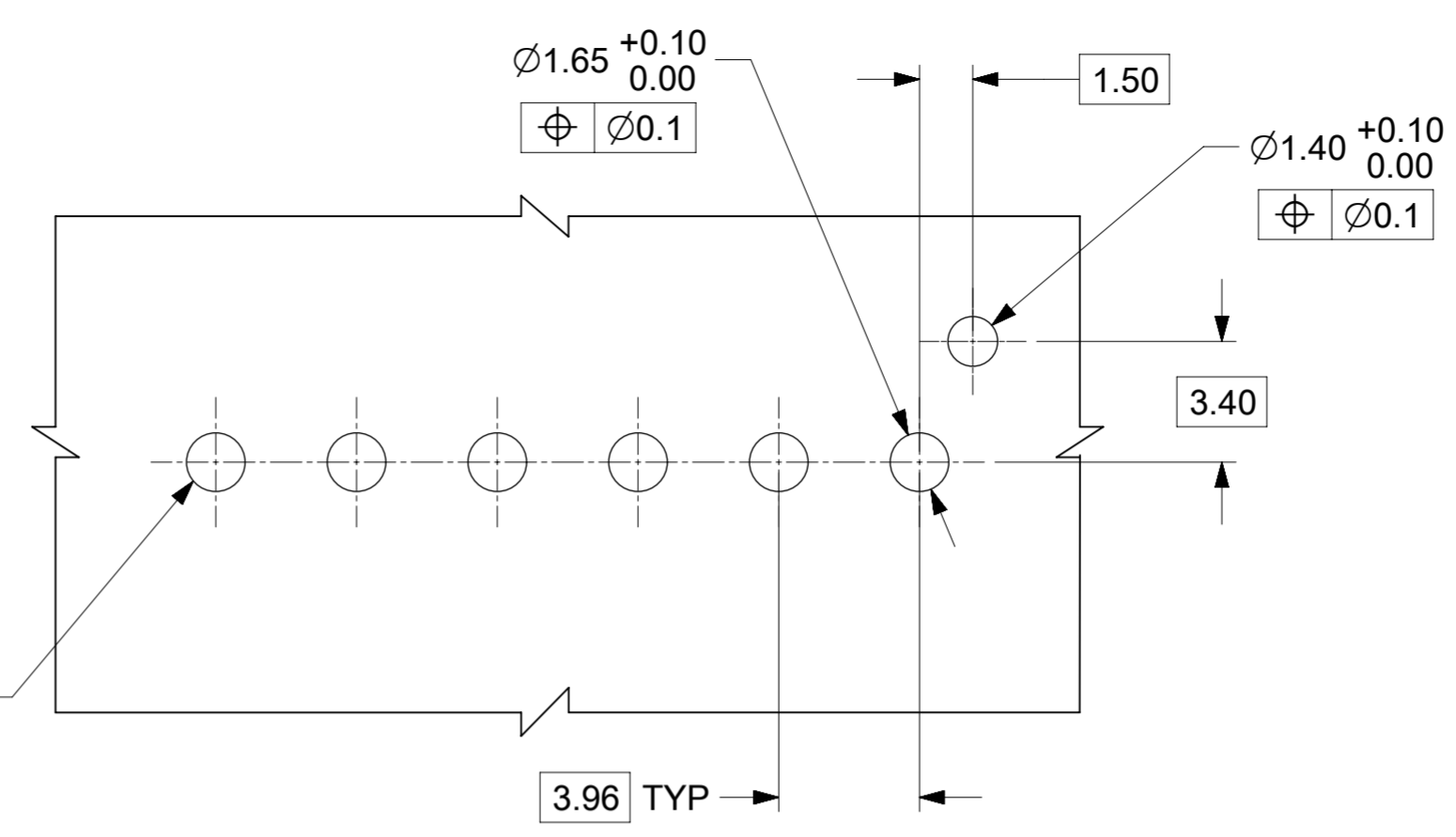
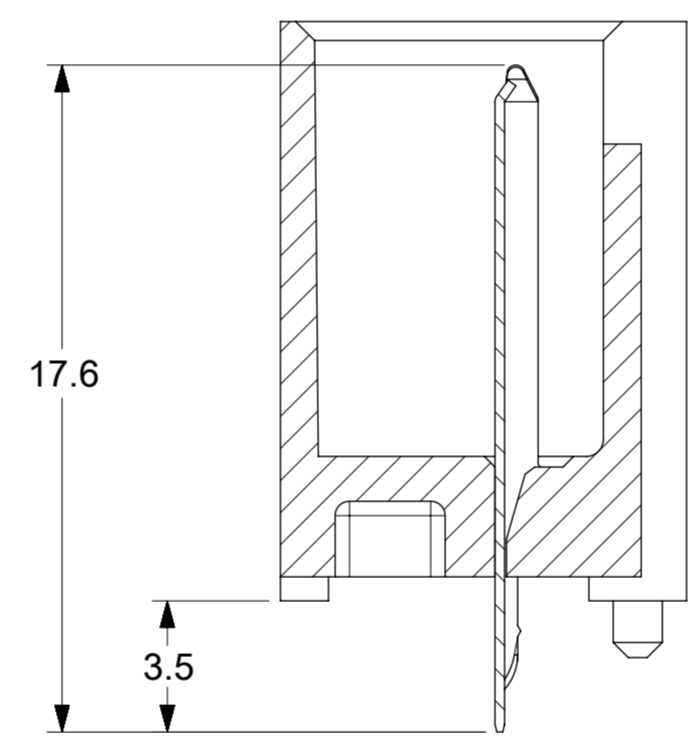
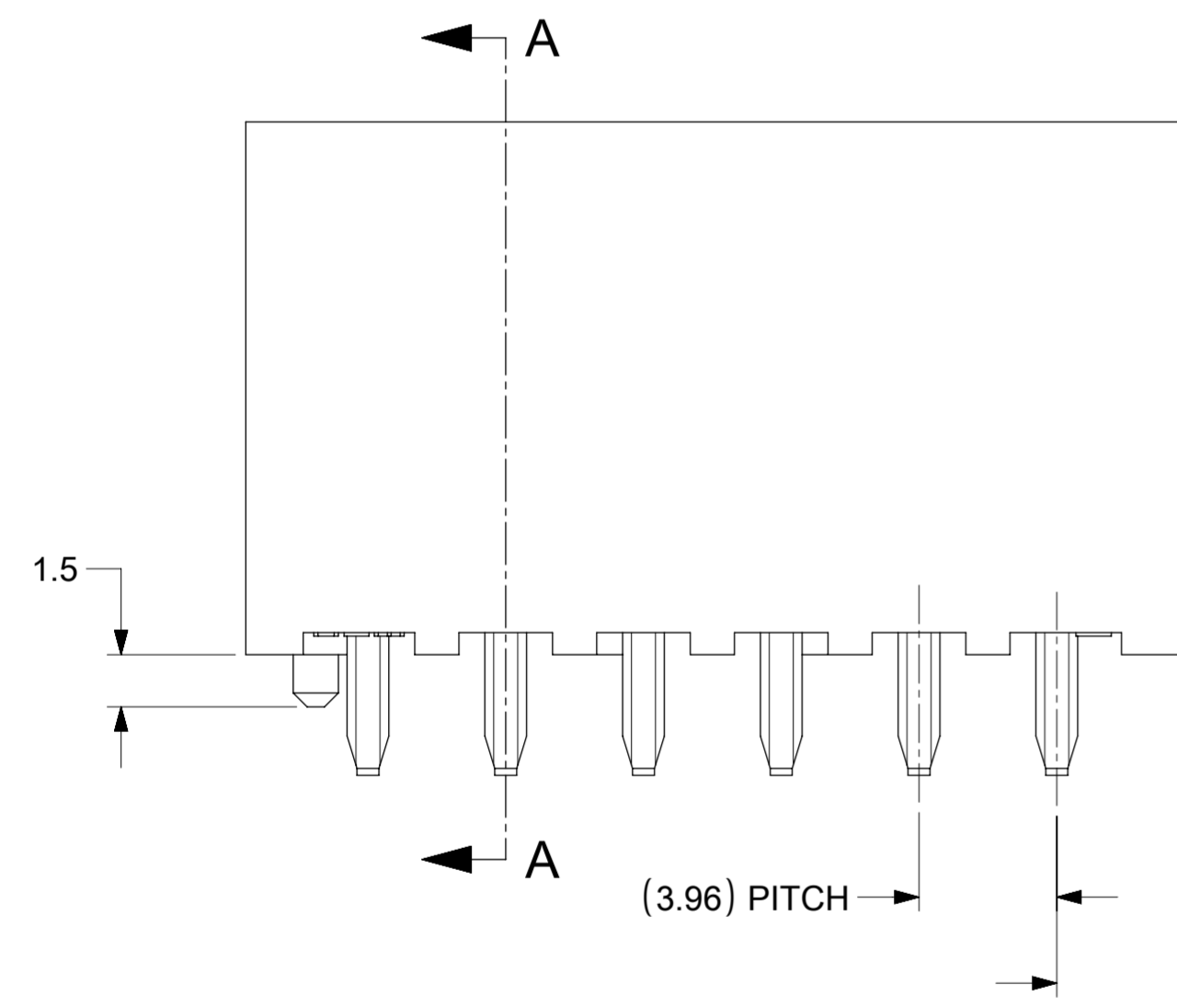
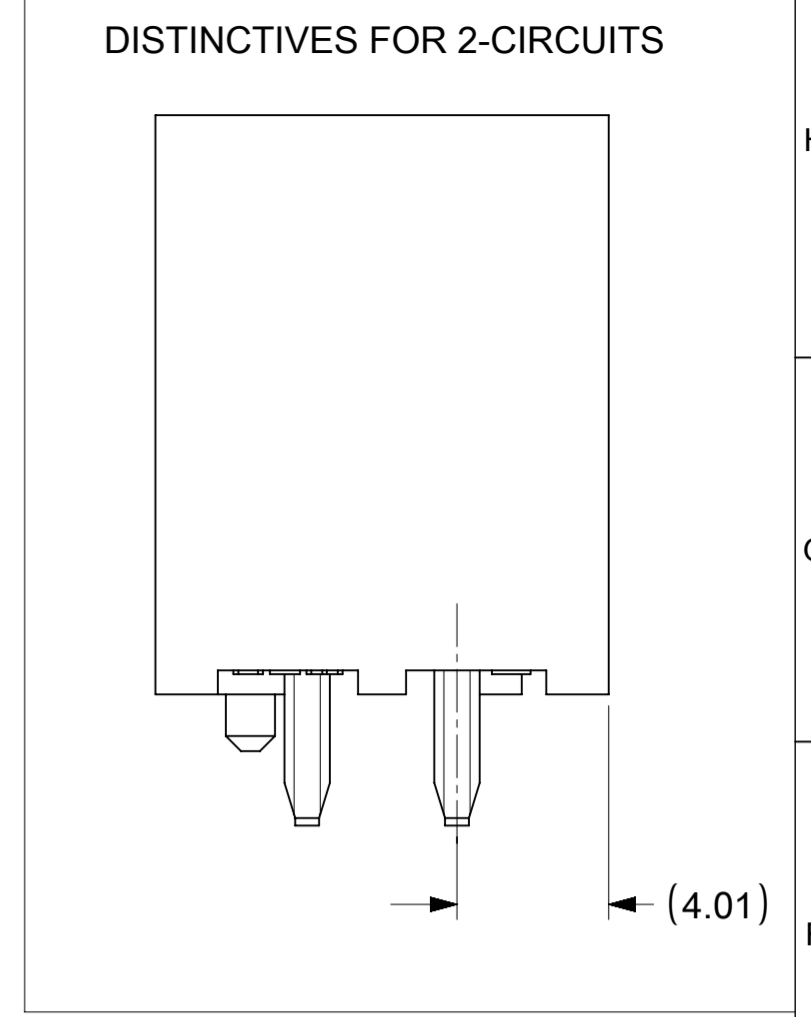


CIRCUIT ID

CIRCUIT NO.1

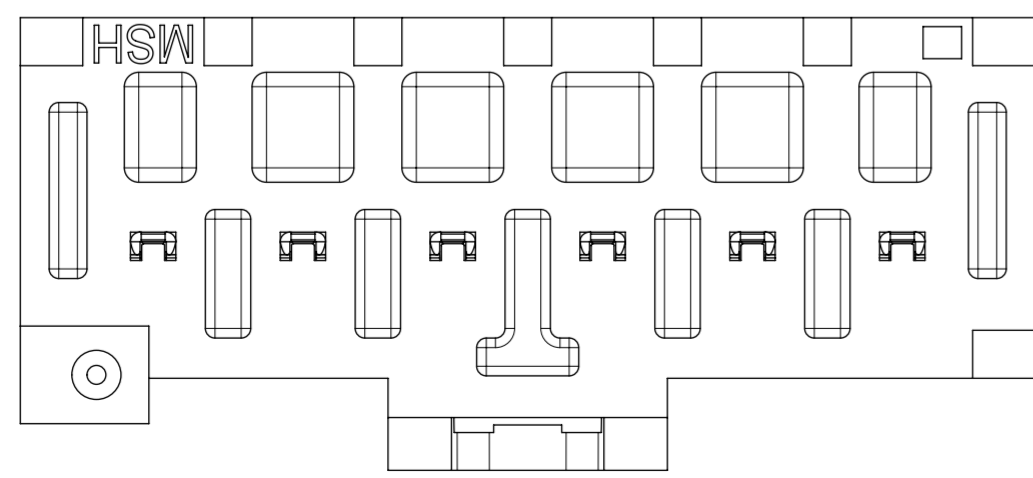


PCB FOR SHROUDED HEADER ASSEMBLY
PCB LAYOUT VIEWED FROM THE SOLDERING SIDE



SECTION A-A

(3.51)
DISTINCTIVES
FOR 2 CIRCUITS



- NOTES:
- MATERIAL:
 - HOUSING: LIQUID CRYSTAL POLYMER. RATED UL94V-0, COLOR-BLACK
 - TERMINAL: BRASS ALLOY
PLATING: TIN OVER COPPER OVERALL
 - PRODUCT SPECIFICATION: 2074580000-PS
 - PACKAGING SPECIFICATION: 2074790000-PK
 - COSMETIC SPECIFICATION: PS-45499-002 CLASS B

CIRCUIT SIZE	HEADER ASSY P/N	DIM.A
02	2074790002	11.99
03	2074790003	14.95
04	2074790004	18.91
05	2074790005	22.88
06	2074790006	26.84

THIS DRAWING CONTAINS INFORMATION THAT IS PROPRIETARY TO MOLEX ELECTRONIC TECHNOLOGIES, LLC AND SHOULD NOT BE USED WITHOUT WRITTEN PERMISSION

DIMENSION UNITS	SCALE	CURRENT REV DESC: INITIAL RELEASE		
mm	5:1			
GENERAL TOLERANCES (UNLESS SPECIFIED)				
ANGULAR TOL	± 0.5°	EC NO:	611406	
4 PLACES	±	DRWN:	GGUNAGI	2018/09/19
3 PLACES	±	CHK'D:	NCSR	2019/02/05
2 PLACES	± 0.2	APPR:	NCSR	2019/02/05
1 PLACE	± 0.25	INITIAL REVISION:		
0 PLACES	±	DRWN:	GGUNAGI	2018/09/19
DRAFT WHERE APPLICABLE MUST REMAIN WITHIN DIMENSIONS		APPR:	NCSR	2019/02/05
THIRD ANGLE PROJECTION		DRAWING	SERIES	MATERIAL NUMBER
		A2-SIZE	207479	SEE TABLE
		CUSTOMER	SHEET NUMBER	
		GENERAL MARKET	1 OF 2	

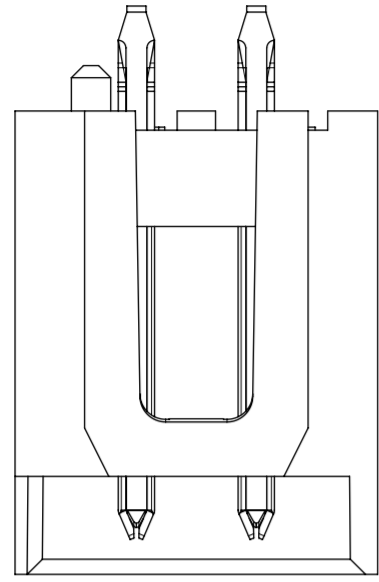
L1NK 396
SHROUDED HEADER ASSEMBLY

PRODUCT CUSTOMER DRAWING

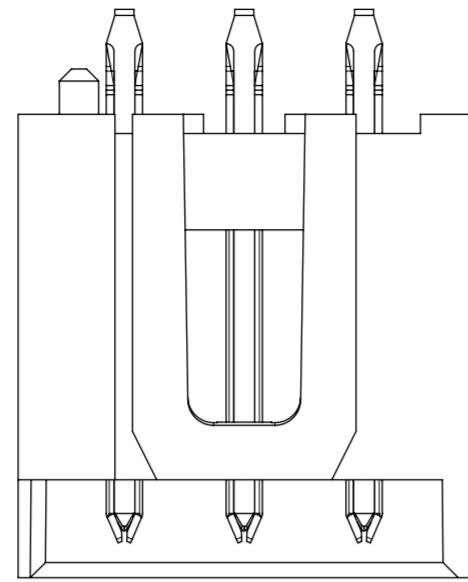
DOCUMENT NUMBER	DOC TYPE	DOC PART	REVISION
2074790000-SD	PSD	000	A

POLARIZATION

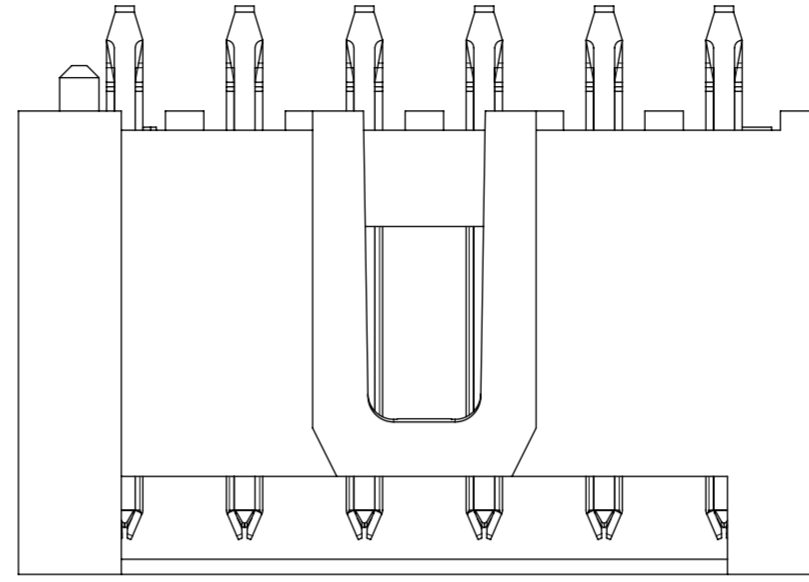
2 CKT



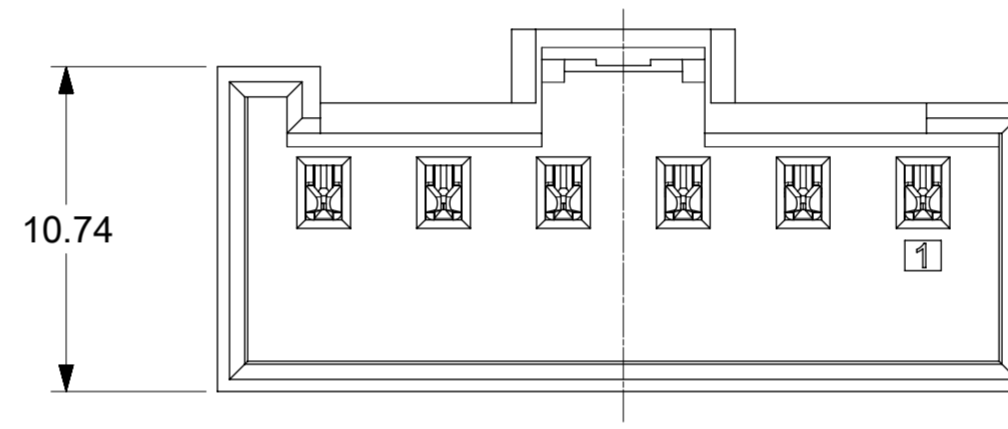
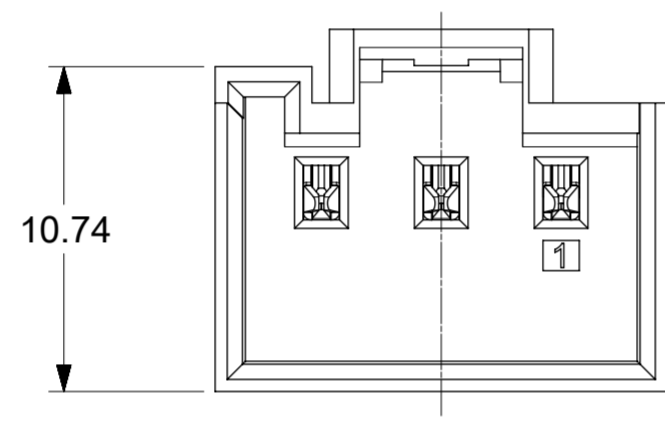
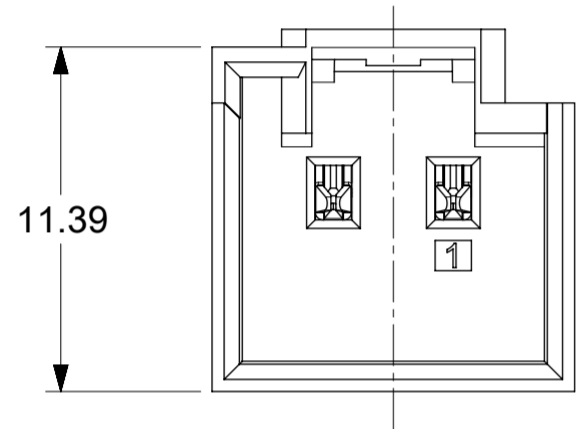
3 CKT



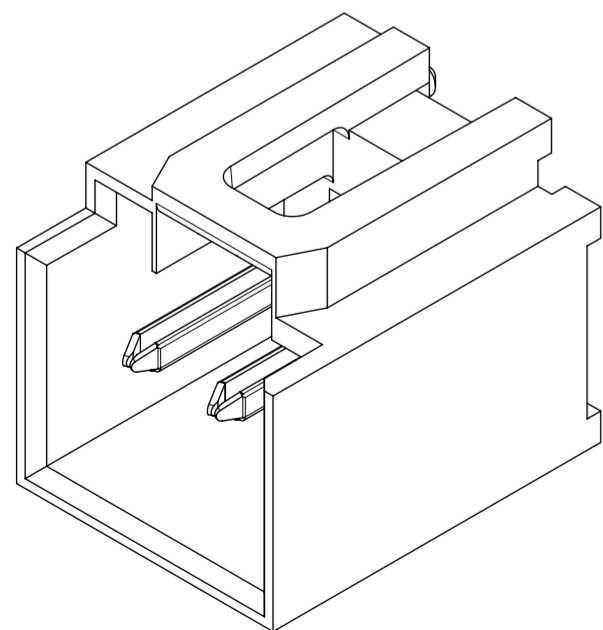
4 TO 6 CKT



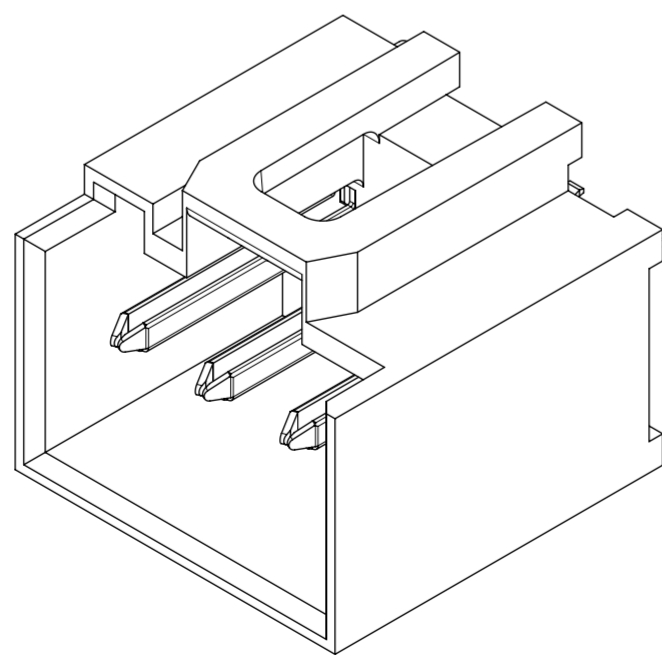
3.4



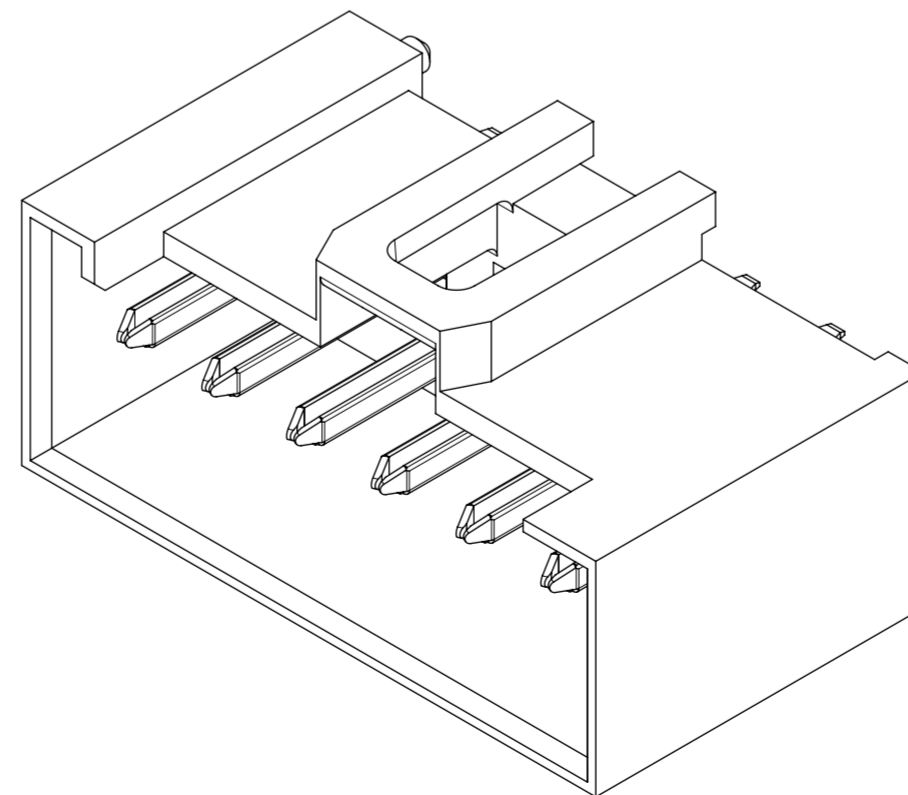
ISOMETRIC VIEW 2 CKT



ISOMETRIC VIEW 3 CKT



ISOMETRIC VIEW 6 CKT



THIS DRAWING CONTAINS INFORMATION THAT IS PROPRIETARY TO MOLEX ELECTRONIC TECHNOLOGIES, LLC AND SHOULD NOT BE USED WITHOUT WRITTEN PERMISSION

DIMENSION UNITS mm	SCALE 4:1	CURRENT REV DESC: INITIAL RELEASE			
GENERAL TOLERANCES (UNLESS SPECIFIED)		<div style="text-align: center;">molex</div> <p>L1NK 396 SHROUDED HEADER ASSEMBLY</p> <p>PRODUCT CUSTOMER DRAWING</p>			
ANGULAR TOL	± 0.5°				
4 PLACES	±				
3 PLACES	±				
2 PLACES	± 0.2				
1 PLACE	± 0.25				
0 PLACES	±	EC NO: 611406	2018/09/19	DRWN: GGUNAGI	2019/02/05
DRAFT WHERE APPLICABLE MUST REMAIN WITHIN DIMENSIONS		THIRD ANGLE PROJECTION		DRAWING	SERIES
		A2-SIZE		207479	2018/09/19
		SEE TABLE		GENERAL MARKET	2019/02/05
		MATERIAL NUMBER		CUSTOMER	SHEET NUMBER
		2074790000-SD		GENERAL MARKET	2 OF 2

DOCUMENT STATUS	P1	RELEASE DATE	2019/02/12	10:33:45
-----------------	----	--------------	------------	----------