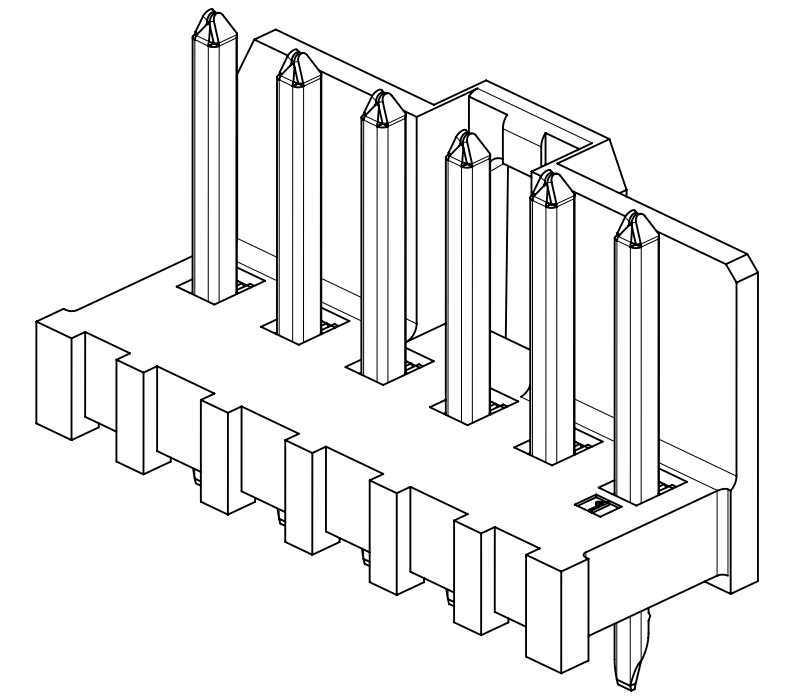
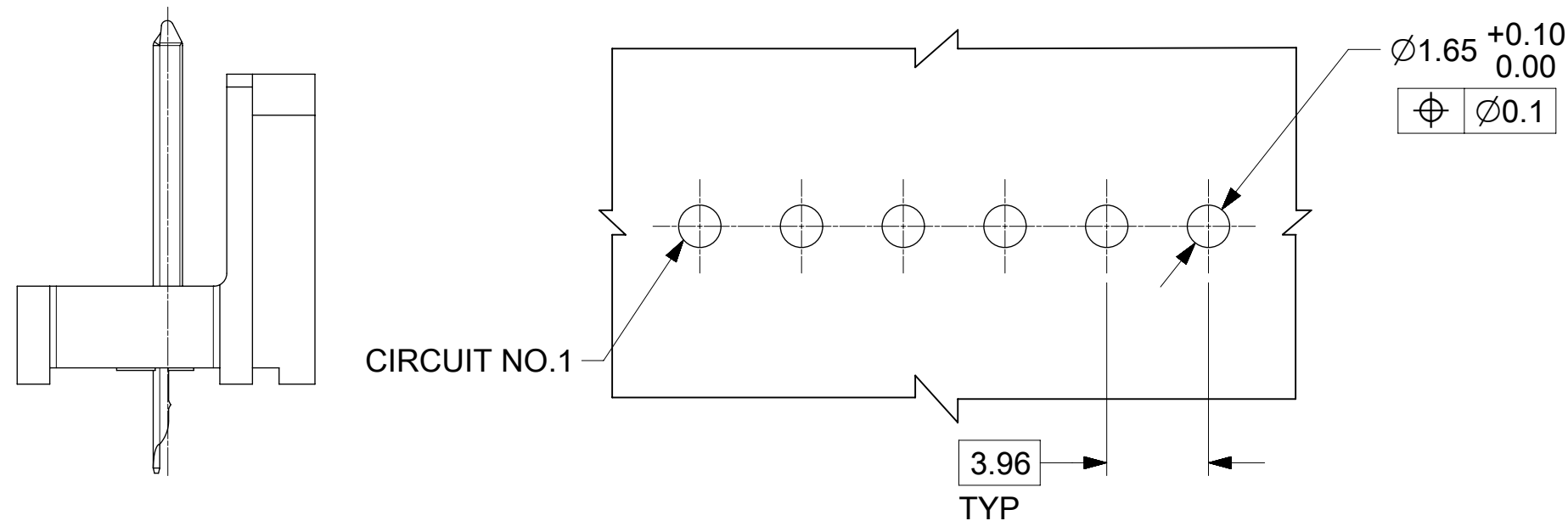


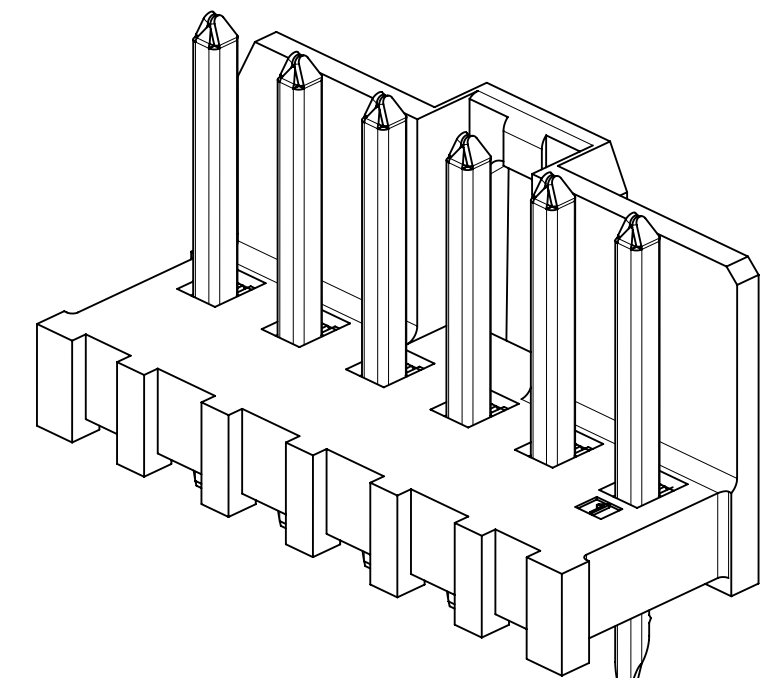
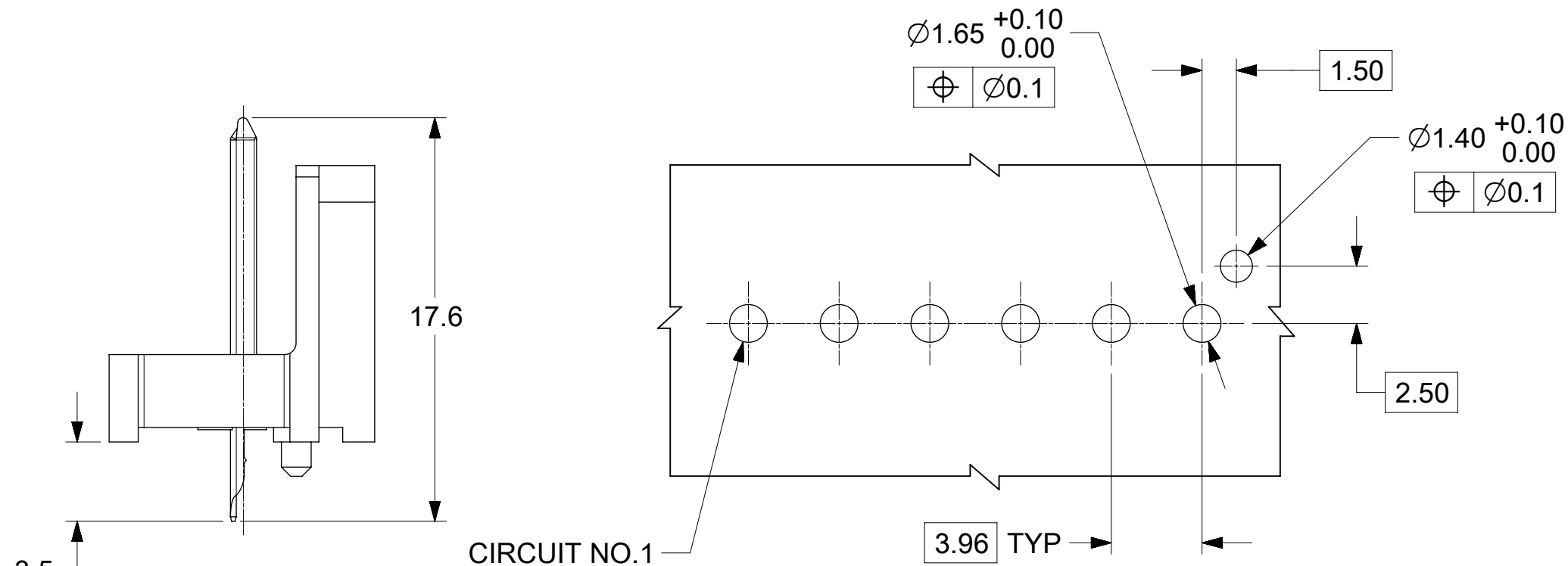
UNSHROUDED HEADER ASSEMBLY WITHOUT PEG
APPLICABLE TO P/N 207478000X



PCB LAYOUT VIEWED FROM THE SOLDERING SIDE

ISOMETRIC VIEW 6 CIRCUIT

UNSHROUDED HEADER ASSEMBLY WITH PEG
APPLICABLE TO P/N 207478100X



PCB LAYOUT VIEWED FROM THE SOLDERING SIDE

ISOMETRIC VIEW 6 CIRCUIT

- NOTES:
- MATERIAL:
 - HOUSING: LIQUID CRYSTAL POLYMER. RATED UL94V-0, COLOR-BLACK
 - TERMINAL: BRASS ALLOY PLATING: TIN OVER COPPER OVERALL
 - PRODUCT SPECIFICATION: 2074580000-PS
 - PACKAGING SPECIFICATION: 2074790000-PK
 - COSMETIC SPECIFICATION: PS-45499-002 CLASS B

THIS DRAWING CONTAINS INFORMATION THAT IS PROPRIETARY TO MOLEX ELECTRONIC TECHNOLOGIES, LLC AND SHOULD NOT BE USED WITHOUT WRITTEN PERMISSION									
DIMENSION UNITS		SCALE		CURRENT REV DESC: INITIAL RELEASE					
mm		4:1							
GENERAL TOLERANCES (UNLESS SPECIFIED)				EC NO: 611406		2018/09/19			
ANGULAR TOL ± 0.5°				DRWN: GGUNAGI		2019/02/05			
4 PLACES ±				CHK'D: NCSR		2019/02/05		UNSHROUDED HEADER ASSY WITH AND WITHOUT PEG PRODUCT CUSTOMER DRAWING	
3 PLACES ±				APPR: NCSR		2019/02/05			
2 PLACES ± 0.2				INITIAL REVISION:				DOCUMENT NUMBER: 2074781000-SD DOC TYPE: PSD DOC PART: 000 REVISION: A	
1 PLACE ± 0.25				DRWN: GGUNAGI		2018/09/19			
0 PLACES ±				APPR: NCSR		2019/02/05		MATERIAL NUMBER: SEE TABLE CUSTOMER: GENERAL MARKET SHEET NUMBER: 1 OF 1	
DRAFT WHERE APPLICABLE MUST REMAIN WITHIN DIMENSIONS		THIRD ANGLE PROJECTION		DRAWING: A2-SIZE		SERIES: 207478			

HOUSING TYPE	CIRCUIT SIZE	HEADER ASSY P/N	DIM. A
UNSHROUDED HEADER ASSY WITH PEG	02	2074781002	8.79
	03	2074781003	12.75
	04	2074781004	16.71
	05	2074781005	20.68
UNSHROUDED HEADER ASSY WITHOUT PEG	06	2074781006	24.64
	02	2074780002	8.79
	03	2074780003	12.75
	04	2074780004	16.71
	05	2074780005	20.68
06	2074780006	24.64	
DOCUMENT STATUS	P1	RELEASE DATE	2019/02/12 08:53:49