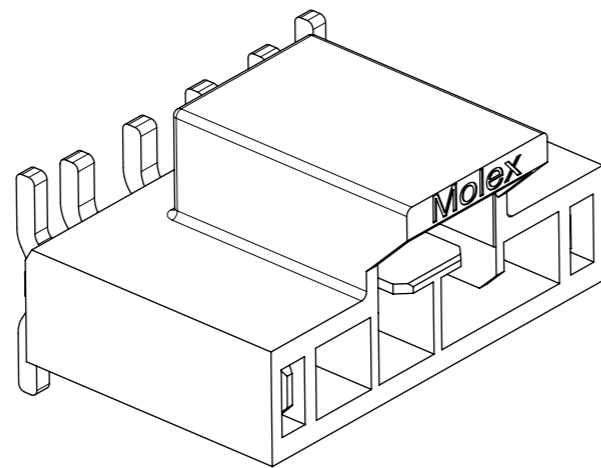
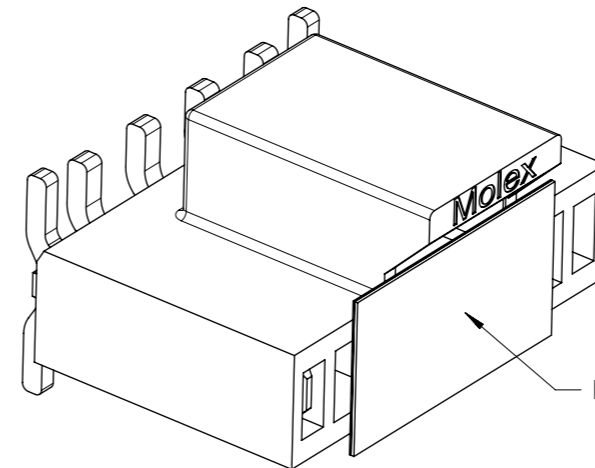


RECOMMENDED PCB LAYOUT(CONNECTOR SIDE VIEW)
THICKNESS=1.60mm MIN. TOLERANCE:±0.05



WITHOUT MYLAR

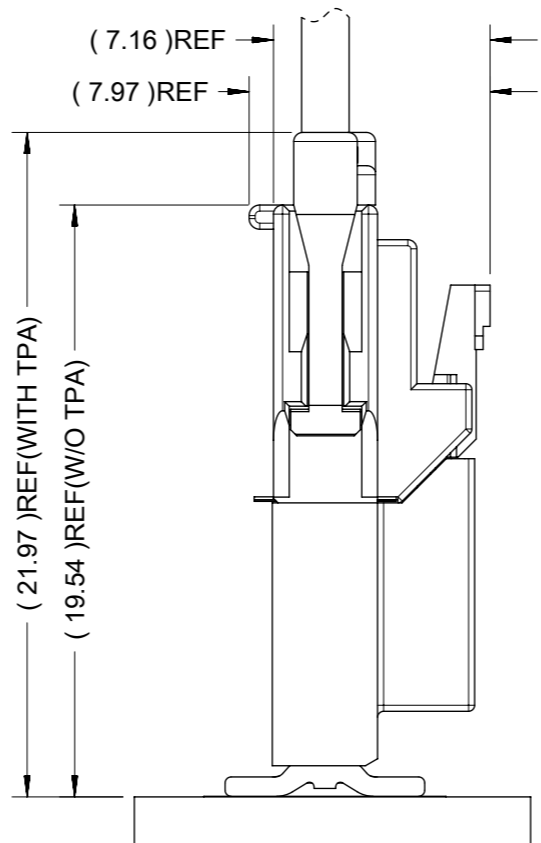


WITH MYLAR
DELIVER TO CUSTOMER

THIS DRAWING CONTAINS INFORMATION THAT IS PROPRIETARY TO MOLEX ELECTRONIC TECHNOLOGIES, LLC AND SHOULD NOT BE USED WITHOUT WRITTEN PERMISSION											
QUALITY SYMBOLS ▽A = 0 ▽E = 0 ▽F = 0 ▽ = 0 ▽C = 0 ▽X = 0 ▽ = 0 ▽ = 0	RE-MASTER IN ECTR EC NO: 604795 DRWN: GLLI CHK'D: AYIN REV APPR: AYIN	GENERAL TOLERANCES (UNLESS SPECIFIED) ANGULAR TOL ± 3.0 ° 4 PLACES ± 3 PLACES ± 2 PLACES ± 0.2 1 PLACE ± 0.3 0 PLACES ± DRAFT WHERE APPLICABLE MUST REMAIN WITHIN DIMENSIONS	DIMENSION UNITS	SCALE	 SD DRAWING FOR NANO-FIT HEADER OF SMT VERTICAL SINGLE CONN.						
			mm	5:1							
			DRWN BY	DATE							
			WJHUO	2014/10/30							
			CHK'D BY	DATE	PRODUCT CUSTOMER DRAWING						
			APPY BY	DATE							
			AYIN	2015/03/12							
			DRAWING SIZE	THIRD ANGLE PROJECTION	SERIES	MATERIAL NUMBER	CUSTOMER				
			A3		105431	SEE TABLE	GENERAL MARKET				
						DOCUMENT NUMBER	DOC TYPE	DOC PART	SHEET NUMBER		
			SD-105431-001	PSD	000	1 OF 3					

9		8		7		6		5		4		3		2		1	
PART NUMBER	DIM. A	DIM. B	DIM. C	CKT SIZE	PLATING	LUBE											
105431-1102	8.23	2.50	6.11	2	TIN												
105431-1103	10.73	5.00	8.61	3													
105431-1104	13.23	7.50	11.11	4													
105431-1105	15.73	10.00	13.61	5													
105431-1106	18.23	12.50	16.11	6													
105431-1107	20.73	15.00	18.61	7													
105431-1108	23.23	17.50	21.11	8													
105431-1202	8.23	2.50	6.11	2			GOLD 0.38	NO									
105431-1203	10.73	5.00	8.61	3													
105431-1204	13.23	7.50	11.11	4													
105431-1205	15.73	10.00	13.61	5													
105431-1206	18.23	12.50	16.11	6													
105431-1207	20.73	15.00	18.61	7													
105431-1208	23.23	17.50	21.11	8													
105431-1302	8.23	2.50	6.11	2	GOLD 0.76												
105431-1303	10.73	5.00	8.61	3													
105431-1304	13.23	7.50	11.11	4													
105431-1305	15.73	10.00	13.61	5													
105431-1306	18.23	12.50	16.11	6													
105431-1307	20.73	15.00	18.61	7													
105431-1308	23.23	17.50	21.11	8													
105431-1402	8.23	2.50	6.11	2			GOLD 0.76	YES									
105431-1403	10.73	5.00	8.61	3													
105431-1404	13.23	7.50	11.11	4													
105431-1405	15.73	10.00	13.61	5													
105431-1406	18.23	12.50	16.11	6													
105431-1407	20.73	15.00	18.61	7													
105431-1408	23.23	17.50	21.11	8													

COLOR: BLACK



9		8		7		6		5		4		3		2		1	
PART NUMBER	DIM. A	DIM. B	DIM. C	CKT SIZE	PLATING	LUBE											
105431-2102	8.23	2.50	6.11	2	TIN												
105431-2103	10.73	5.00	8.61	3													
105431-2104	13.23	7.50	11.11	4													
105431-2105	15.73	10.00	13.61	5													
105431-2106	18.23	12.50	16.11	6													
105431-2107	20.73	15.00	18.61	7													
105431-2108	23.23	17.50	21.11	8													
105431-2202	8.23	2.50	6.11	2			GOLD 0.38	NO									
105431-2203	10.73	5.00	8.61	3													
105431-2204	13.23	7.50	11.11	4													
105431-2205	15.73	10.00	13.61	5													
105431-2206	18.23	12.50	16.11	6													
105431-2207	20.73	15.00	18.61	7													
105431-2208	23.23	17.50	21.11	8													
105431-2302	8.23	2.50	6.11	2	GOLD 0.76												
105431-2303	10.73	5.00	8.61	3													
105431-2304	13.23	7.50	11.11	4													
105431-2305	15.73	10.00	13.61	5													
105431-2306	18.23	12.50	16.11	6													
105431-2307	20.73	15.00	18.61	7													
105431-2308	23.23	17.50	21.11	8													
105431-2402	8.23	2.50	6.11	2			GOLD 0.76	YES									
105431-2403	10.73	5.00	8.61	3													
105431-2404	13.23	7.50	11.11	4													
105431-2405	15.73	10.00	13.61	5													
105431-2406	18.23	12.50	16.11	6													
105431-2407	20.73	15.00	18.61	7													
105431-2408	23.23	17.50	21.11	8													

COLOR: NATURAL

NOTES FOR ALL PARTS

1> MATERIAL:
HOUSING: LCP, UL 94V-0.
TERMINAL: BRASS.
SOLDER CLIP: BRASS.
2> PLATING FINISHED:
TERMINAL:
CONTACT AREA:
a. TIN 0.76 MICRONS MIN; b. GOLD 0.38 MICRONS MIN; c. GOLD 0.76 MICRONS MIN.
SOLDER AREA: TIN 0.76 MICRONS MINIMUM.
UNDER PLATING NICKEL 1.25 MICRONS MINIMUM.
SOLDER CLIP: TIN 2.5 MICRONS MINIMUM; UNDER PLATING NICKEL 1.25 MICRONS MINIMUM.

3> PRODUCT SPECIFICATION: PS-105405-001.
4> PACKAGE: TAPE REEL, DETAILS REFER TO DRAWING 1054311000-PK.
5> ALL COMPONENTS AND PRODUCT COMPLIANT TO RoHS DIRECTIVE 2011/65/EU AND ELV DIRECTIVE 2000/53/EC.
6> PRODUCT MATE WITH SERIES OF 105307(RECEPTACLE), 105300(CRIMP TERMINAL).
7> PARTS CONFORM TO CLASS 'B' REQUIREMENTS OF COSMETIC SPECIFICATION PS-45499-002.

QUALITY SYMBOLS	
▽A	= 0
▽E	= 0
▽B	= 0
▼	= 0
▽C	= 0
⊗	= 0
■	= 0
▽	= 0

THIS DRAWING CONTAINS INFORMATION THAT IS PROPRIETARY TO MOLEX ELECTRONIC TECHNOLOGIES, LLC AND SHOULD NOT BE USED WITHOUT WRITTEN PERMISSION

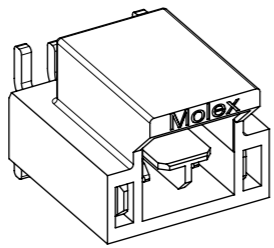
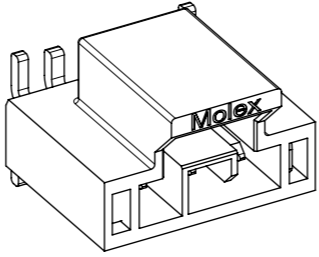
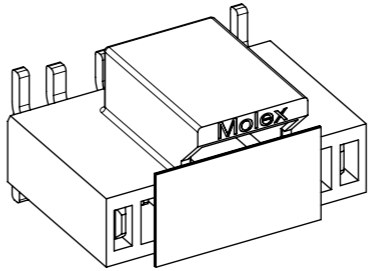
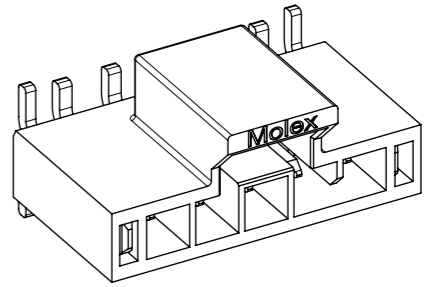
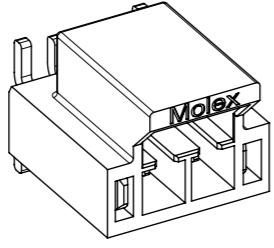
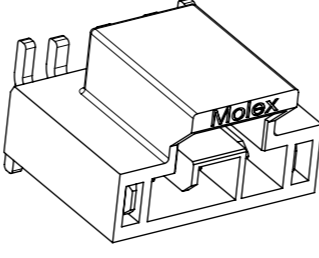
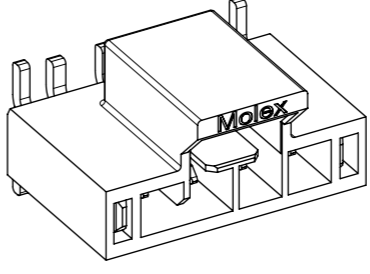
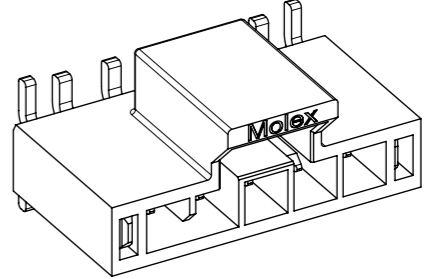
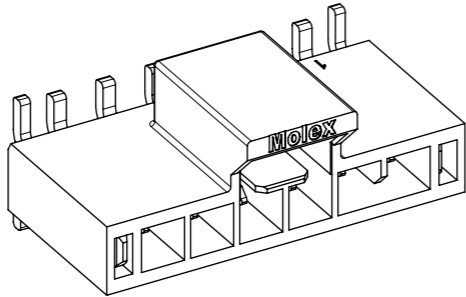
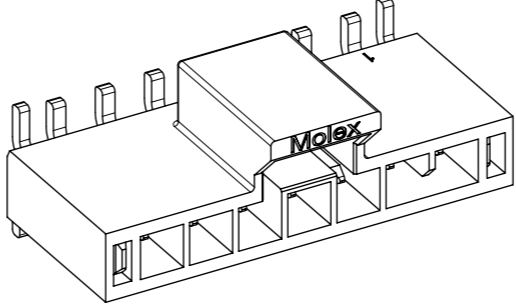
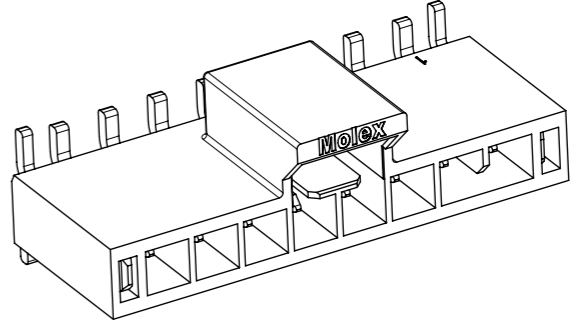
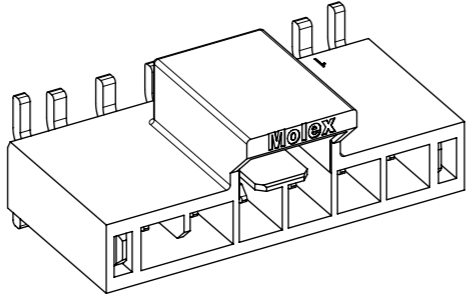
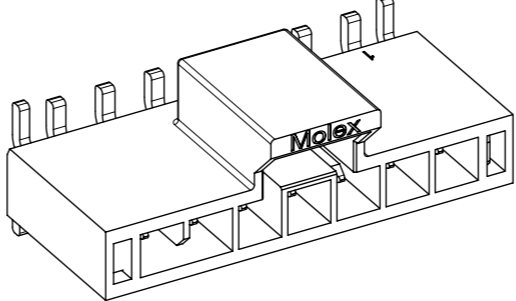
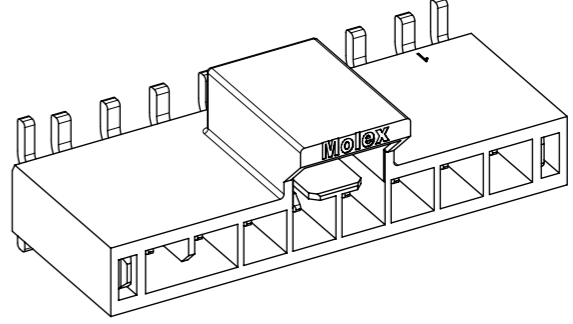
RE-MASTER IN ECTR EC NO: 604795 DRWN: GLLI CHK'D: AYIN APP: AYIN	2018/12/10	GENERAL TOLERANCES (UNLESS SPECIFIED)	DIMENSION UNITS	SCALE
	2018/12/17	ANGULAR TOL ± 3.0 °	mm	5:1
	2018/12/17	4 PLACES ±	DRWN BY	DATE
		3 PLACES ±	WJHUO	2014/10/30
		2 PLACES ± 0.2	CHK'D BY	DATE
	1 PLACE ± 0.3	APPY BY	DATE	
	0 PLACES ±	AYIN	2015/03/12	
	DRAFT WHERE APPLICABLE MUST REMAIN WITHIN DIMENSIONS	DRAWING SIZE	THIRD ANGLE PROJECTION	
		A3		


molex

SD DRAWING FOR
NANO-FIT HEADER OF SMT VERTICAL SINGLE CONN.

PRODUCT CUSTOMER DRAWING

SERIES	MATERIAL NUMBER	CUSTOMER
105431	SEE TABLE	GENERAL MARKET
DOCUMENT NUMBER	DOC TYPE	DOC PART
SD-105431-001	PSD	000
SHEET NUMBER		
2 OF 3		

	2 CKT	3 CKT	4 CKT	5 CKT
BLACK				
NATURAL				
	6 CKT	7 CKT	8 CKT	
BLACK				
NATURAL				

THIS DRAWING CONTAINS INFORMATION THAT IS PROPRIETARY TO MOLEX ELECTRONIC TECHNOLOGIES, LLC AND SHOULD NOT BE USED WITHOUT WRITTEN PERMISSION													
QUALITY SYMBOLS □ = 0 ▽ = 0 ▽ = 0 ▽ = 0 ▽ = 0 ▽ = 0 ▽ = 0 ▽ = 0 ▽ = 0 ▽ = 0 ▽ = 0 ▽ = 0		RE-MASTER IN ECTR EC NO: 604795 DRWN: GLLI CHK'D: AYIN APPR: AYIN		2018/12/10 2018/12/17 2018/12/17		GENERAL TOLERANCES (UNLESS SPECIFIED) ANGULAR TOL ± 3.0 ° 4 PLACES ± 3 PLACES ± 2 PLACES ± 0.2 1 PLACE ± 0.3 0 PLACES ±		DRAFT WHERE APPLICABLE MUST REMAIN WITHIN DIMENSIONS		DIMENSION UNITS: mm SCALE: 3:1 DRWN BY: RMV02 DATE: 2016/01/14 CHK'D BY: DATE: APPR BY: AYIN DATE: 2017/05/15		DRAWING SIZE: A3 THIRD ANGLE PROJECTION	
 SD DRAWING FOR NANO-FIT HEADER OF SMT VERTICAL SINGLE CONN.						PRODUCT CUSTOMER DRAWING							
						SERIES: 105431		MATERIAL NUMBER:		CUSTOMER: GENERAL MARKET			
DOCUMENT NUMBER: SD-105431-001				DOC TYPE: PSD		DOC PART: 000		SHEET NUMBER: 3 OF 3					