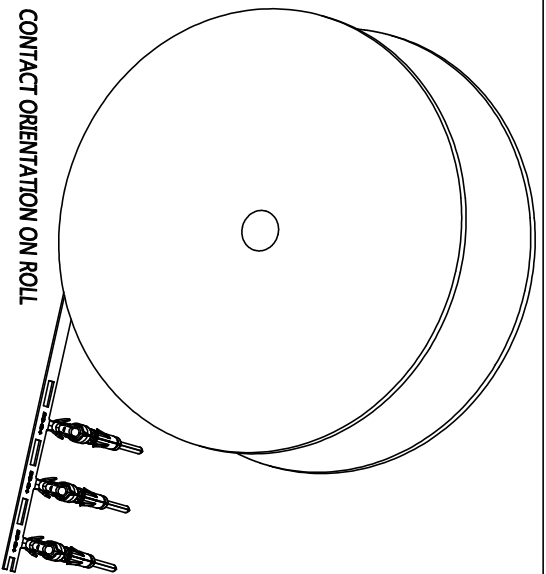


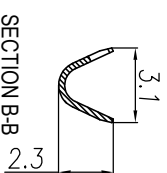
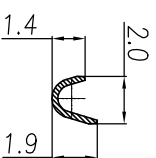
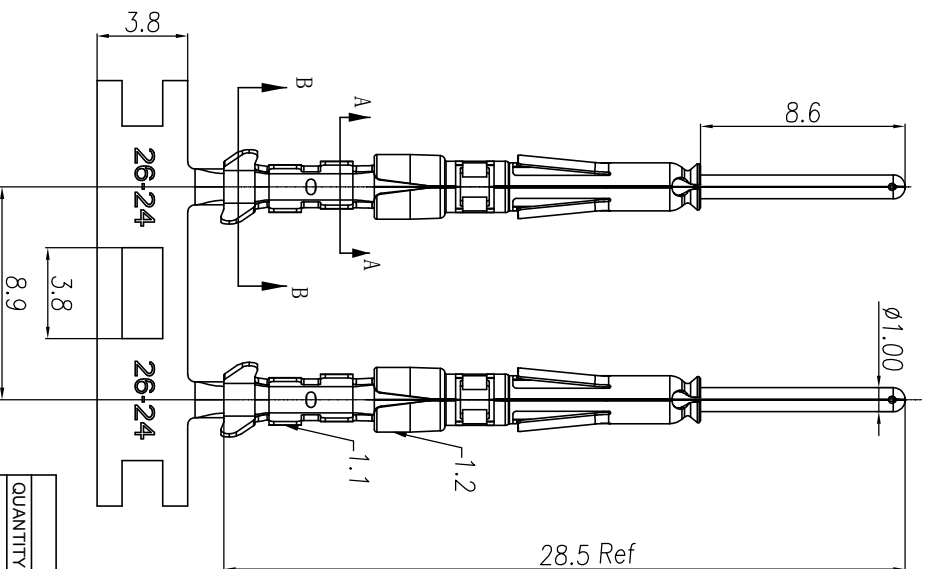
REVISIONS				
REV	ECO	DESCRIPTION	DATE	BY APPR
A1	-	RELEASED DRAWING	Nov-9-17	Rookie Tommy
A2	-	ADD THE GS PART NUMBER	Jan-28-19	Blirik Tommy



CONTACT ORIENTATION ON ROLL

NOTES : (UNLESS OTHERWISE SPECIFIED)

1. MATERIAL :
 - 1.1. CONTACT BODY : COPPER ALLOY.
 - 1.2. OUTER SPRING : STAINLESS STEEL.
2. SPECIFICATIONS :
 - 2.1 CURRENT RATING : 5A MAX.
 - 2.2 TERMINATION TYPE : CRIMPING.
 - 2.3 WIRE RANGE : 26~24AWG.
 - 2.4 WIRE INSULATION DIA(MAX) : ϕ 2.2mm.
3. ROHS COMPLIANT.
4. ALL DIMENSIONS ARE FOR REFERENCE USE ONLY.
5. AVAILABLE TOOLS :
 - 5.1 HAND CRIMPER : MFX-3954.
 - 5.2 CRIMP APPLICATOR : MFX-3957.
 - 5.3 EXTRACTION TOOL : QXRT20.



P/N	CONTACT PLATING(MATING AREA)
SP24W2T	TIN PLATING OVER NICKEL.
SP24W2N	NICKEL PLATING OVER COPPERIZE.
SP24W2F	GOLD FLASH PLATING OVER NICKEL.
SP24W2G5	5 μ " GOLD PLATING OVER NICKEL.
SP24W2G10	10 μ " GOLD PLATING OVER NICKEL.
SP24W2G15	15 μ " GOLD PLATING OVER NICKEL.
SP24W2G30	30 μ " GOLD PLATING OVER NICKEL.

(A2)

QUANTITY	PART NUMBER	DESCRIPTION	ITEM

MATERIALS LIST

UNLESS OTHERWISE SPECIFIED		
1) All dimensions are in metric(mm).	DRAWN:	DATE
2) Tolerances are as follows:	Blirik	Jan-28-19
3) Holes are as follows:	Tommy	Jan-28-19
4) Fillet DEC 30-18	Tommy	Jan-28-19
5) Hole reference = Δ	Tommy	Jan-28-19

MATERIAL SPECIFICATIONS:		CUSTOMER	
PROCESS SPECIFICATIONS:	THIS DRAWING IS SUPPLIED FOR INFORMATION ONLY. DESIGN FEATURES, DIMENSIONS, AND MATERIALS ARE THE PROPERTY OF AMPHENOL CORPORATION. NO RIGHTS ARE SHOWN HEREON AND THE PROPERTY OF AMPHENOL CORPORATION IS RESERVED. DIMENSIONS ARE SUBJECT TO NORMAL MANUFACTURING VARIATIONS.	ECO-MATE	PIN CONTACT, STAMPED, 24-26AWG, SIZE 20
NEXT ASSY:		SIZE	TYPE
		B	C-
		SCALE	NONE
		DWG NO.	SP24W2XX
		SHEET	1 OF 1
		REVISION	A2

Amphenol

Sine Systems - www.amphenol-sine.com
44724 Morley Drive
Clinton Township, MI 48036

ECO-MATE, PIN CONTACT, STAMPED, 24-26AWG, SIZE 20