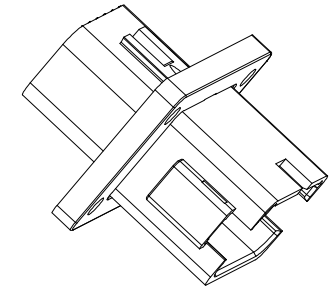
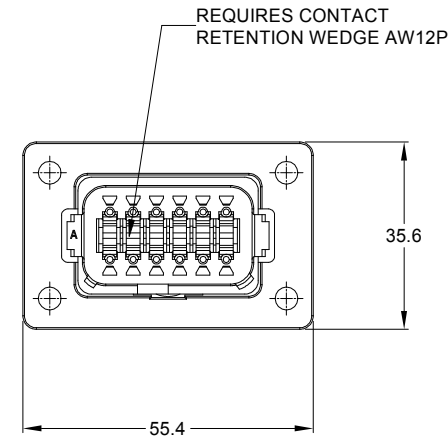
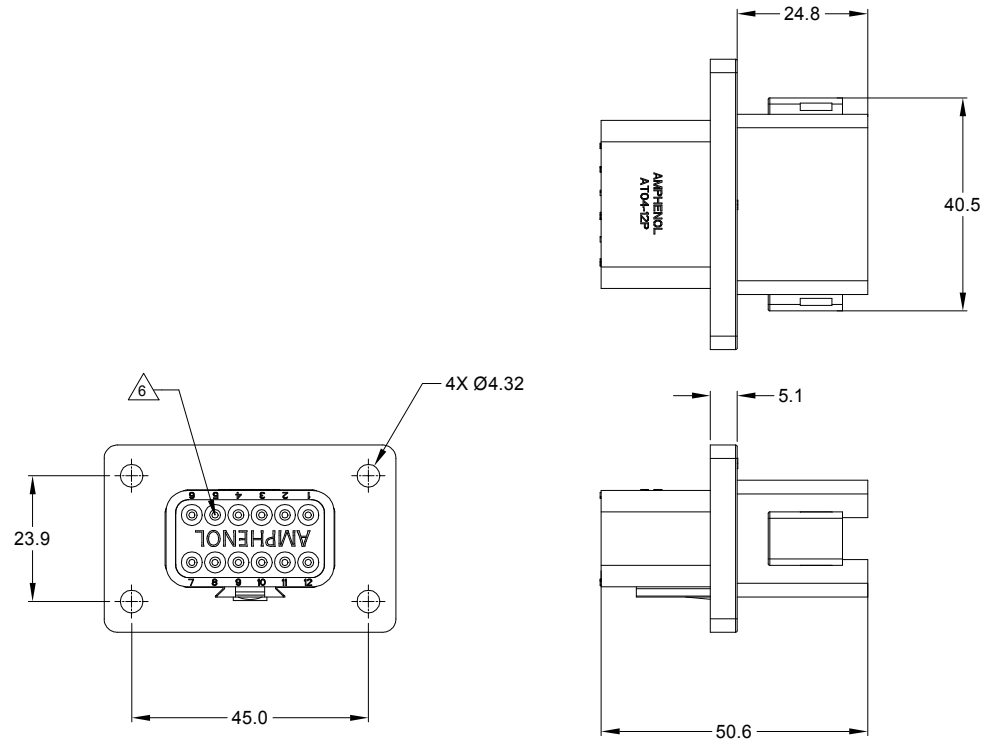


REVISIONS					
REV	ECO	DESCRIPTION	DATE	BY	APPR
A1	-	RELEASE NUMBER	30/NOV/18	BROOK	TOMMY



NOTES: UNLESS OTHERWISE SPECIFIED

- COLOR: BLACK
- MATERIAL:
HOUSING: THERMOPLASTIC
SEAL: SILICONE RUBBER
- MODIFICATIONS: FLANGE
- SPECIFICATIONS:
4.1 CURRENT RATING: 13 AMPS
4.2 OPERATING TEMPERATURE: -55°C TO +125°C.
4.3 DIELECTRIC WITHSTANDING VOLTAGE: LESS THAN 2 MILLIAMPS CURRENT LEAKAGE @ 1500 VOLTS AC.
4.4 INSULATION RESISTANCE: 1000 MEGOHMS MIN @ 25°C.
4.5 MOISTURE RESISTANCE: IP67 (MATED CONDITION)
4.6 MATING CYCLE DURABILITY: 100 CYCLES
4.7 RoHS COMPLIANT
- MATING PART: AT06-12SA* PLUG.
(* = MODIFICATIONS AND COLORS)
- ALL DIMENSIONS ARE FOR REFERENCE USE ONLY.

CONTACT SIZE AND REAR SEAL WIRE RANGE:

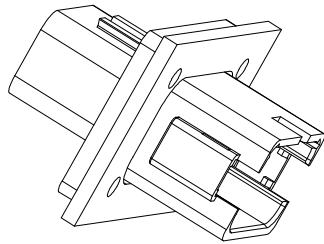
CONTACT SIZE	MIN. INSUL O.D.	MAX. INSUL O.D.	TYPICAL WIRE RANGE
16	2.24 mm (.088 in)	3.68 mm (.145 in)	14 - 20 AWG

TITLE: 12PA RECEPTACLE FLANGE MOUNT, ENHANCE KEY, BLACK
DWG NO.: AT04-12PA-BL08
REV: A1
SH: 1
OF: 2

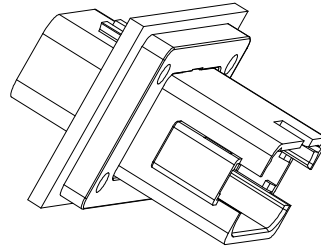
QUANTITY	PART NUMBER	DESCRIPTION	ITEM
	AT04-12PA-BL08		
<p>MATERIALS LIST</p> <p>UNLESS OTHERWISE SPECIFIED 1) All dimensions are in metric (mm). 2) Tolerances are as follows: 1 PL DEC ±0.30 2 PL DEC ±0.15 3 PL DEC ±0.08 Fractions ±1/64 Angles ±1° 3) Note reference = </p>			
<p>SIGNATURES</p> <p>DRAWN: BROOK CHECKED: ORION ENGINEER: APPROVAL: TOMMY</p>		<p>DATE</p> <p>30/NOV/18 30/NOV/18 30/NOV/18</p>	
<p>MATERIAL SPECIFICATIONS:</p> <p>PROCESS SPECIFICATIONS:</p> <p>NEXT ASSY:</p>		<p>Amphenol</p> <p>Sine Systems - www.amphenol-sine.com 44724 Morley Drive Clinton Township, MI 48036</p> <p>12PA RECEPTACLE FLANGE MOUNT, ENHANCE KEY, BLACK</p> <p>THIS DRAWING IS SUPPLIED FOR INFORMATION ONLY. DESIGN FEATURES, SPECIFICATIONS AND PERFORMANCE DATA SHOWN HEREON ARE THE PROPERTY OF THE AMPHENOL CORPORATION. NO RIGHTS OF REPRODUCTION ARE IMPLIED. ALL DIMENSIONS ARE SUBJECT TO NORMAL MANUFACTURING VARIATIONS.</p>	
<p>SCALE: NONE</p>		<p>SIZE: B C- DWG NO.: AT04-12PA-BL08 REVISION: A1</p>	
		<p>SHEET 1 OF 2</p>	

REVISIONS					
REV	ECO	DESCRIPTION	DATE	BY	APPR
A1	-	RELEASE NUMBER	30/NOV/18	BROOK	TOMMY

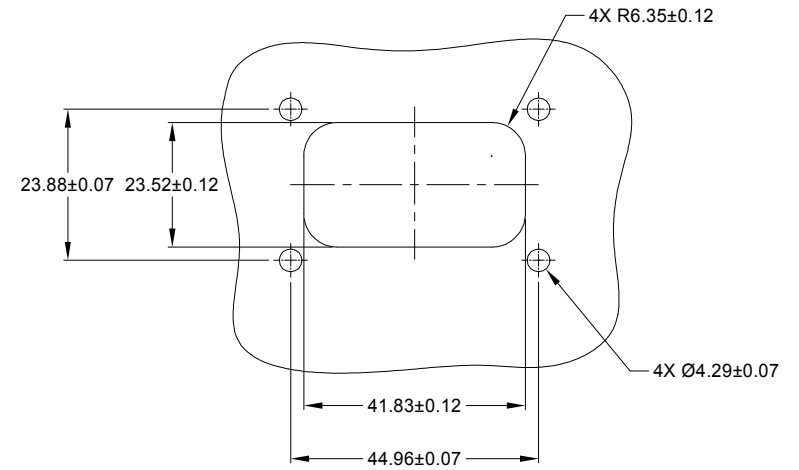
FOR REFERENCE ONLY



FRONT MOUNT



REAR MOUNT



RECOMMENDED CUTOUT
FRONT AND REAR MOUNT

AT04-12PA-BL08		DESCRIPTION		ITEM								
PART NUMBER		DESCRIPTION		ITEM								
QUANTITY												
MATERIALS LIST												
UNLESS OTHERWISE SPECIFIED												
1) All dimensions are in metric(mm).												
2) Tolerances are as follows:												
1 PL DEC ±0.30												
2 PL DEC ±0.15												
3 PL DEC ±0.08												
3) Note reference =												
SIGNATURES		DATE		<div style="text-align: center;"> <h1>Amphenol</h1> <p>Sine Systems - www.amphenol-sine.com 44724 Morley Drive Clinton Township, MI 48036</p> </div>								
DRAWN: BROOK		30/NOV/18										
CHECKED: ORION		30/NOV/18										
ENGINEER:												
APPROVAL: TOMMY		30/NOV/18										
MATERIAL SPECIFICATIONS:		CUSTOMER:		12PA RECEPTACLE FLANGE MOUNT, ENHANCE KEY, BLACK								
PROCESS SPECIFICATIONS:		THIS DRAWING IS SUPPLIED FOR INFORMATION ONLY. DESIGN FEATURES, SPECIFICATIONS AND PERFORMANCE DATA SHOWN HEREON ARE THE PROPERTY OF THE AMPHENOL CORPORATION. NO RIGHTS OF REPRODUCTION ARE IMPLIED. ALL DIMENSIONS ARE SUBJECT TO NORMAL MANUFACTURING VARIATIONS.		<table border="1"> <tr> <td>SIZE</td> <td>TYPE</td> <td>DWG NO.</td> <td>REVISION</td> </tr> <tr> <td>B</td> <td>C-</td> <td>AT04-12PA-BL08</td> <td>A1</td> </tr> </table>	SIZE	TYPE	DWG NO.	REVISION	B	C-	AT04-12PA-BL08	A1
SIZE	TYPE	DWG NO.	REVISION									
B	C-	AT04-12PA-BL08	A1									
NEXT ASSY:		SCALE: NONE		SHEET 2 OF 2								

TITLE: 12PA RECEPTACLE FLANGE MOUNT, ENHANCE KEY, BLACK
 DWG NO.: AT04-12PA-BL08
 REV: A1
 SH: 2
 OF: 2