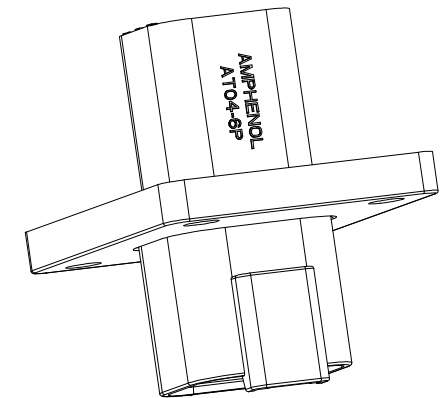
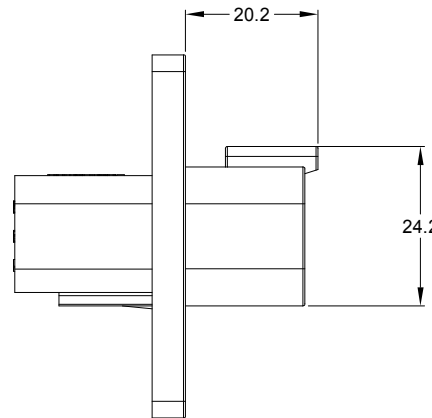
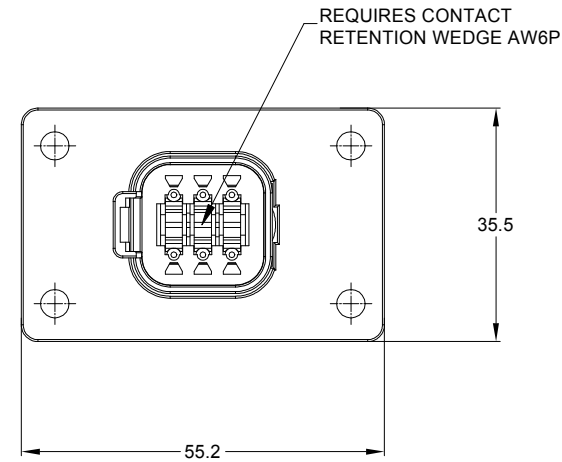
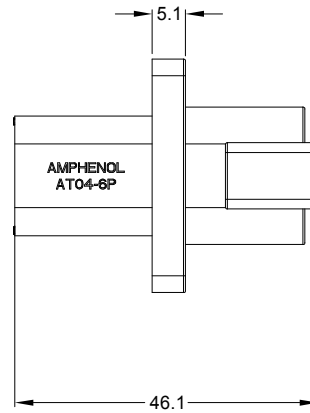
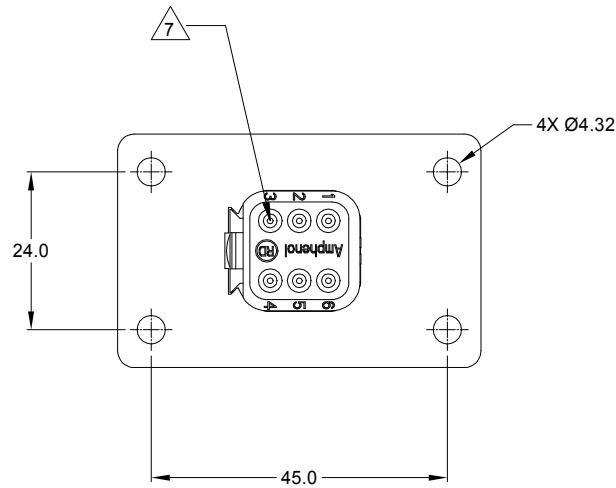


| REVISIONS |     |                |           |        |       |
|-----------|-----|----------------|-----------|--------|-------|
| REV       | ECO | DESCRIPTION    | DATE      | BY     | APPR  |
| A1        | -   | RELEASE NUMBER | 30/NOV/18 | ROOKIE | TOMMY |



NOTES: UNLESS OTHERWISE SPECIFIED

- COLOR: BLACK
- MATERIAL:  
HOUSING: THERMOPLASTIC  
SEAL: SILICONE RUBBER
- MODIFICATIONS: FLANGE, REDUCED DIA. WIRE SEAL
- SPECIFICATIONS:
  - CURRENT RATING: 13 AMPS
  - OPERATING TEMPERATURE: -55°C TO +125°C.
  - DIELECTRIC WITHSTANDING VOLTAGE: LESS THAN 2 MILLIAMPS CURRENT LEAKAGE @ 1500 VOLTS AC.
  - INSULATION RESISTANCE: 1000 MEGOHMS MIN @ 25°C.
  - MOISTURE RESISTANCE: IP67 ( MATED CONDITION )
  - MATING CYCLE DURABILITY: 100 CYCLES
  - RoHS COMPLIANT
- MATING PART: AT06-6S\* PLUG.  
(\* = MODIFICATIONS AND COLORS )
- ALL DIMENSIONS ARE FOR REFERENCE USE ONLY.

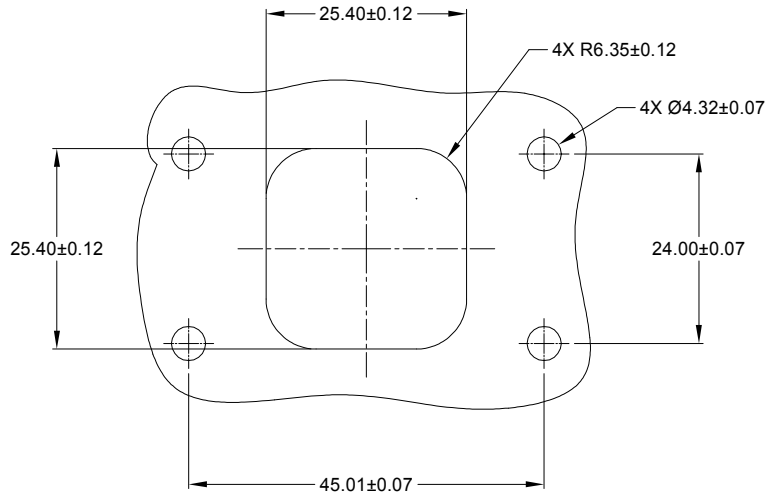
CONTACT SIZE AND REAR SEAL WIRE RANGE:

| CONTACT SIZE | MIN. INSUL O.D.   | MAX. INSUL O.D.   | TYPICAL WIRE RANGE |
|--------------|-------------------|-------------------|--------------------|
| 16           | 1.35 mm (.053 in) | 3.05 mm (.120 in) | 14 - 20 AWG        |

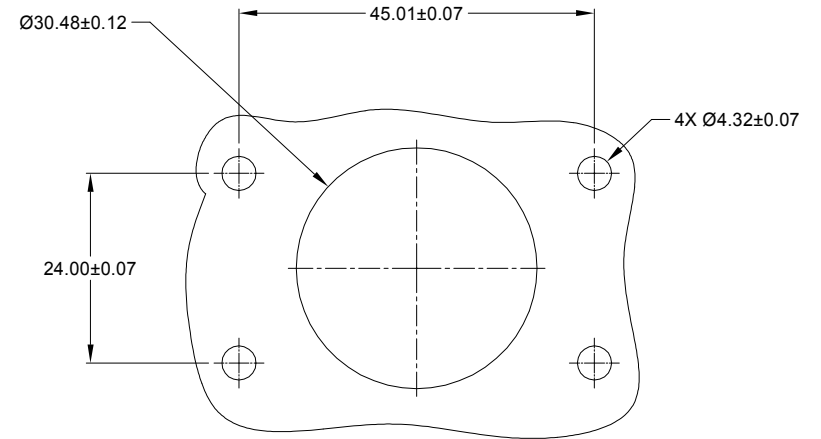
| AT04-6P-CL06                         |  | DESCRIPTION  |        | ITEM         |
|--------------------------------------|--|--|--------|--------------|
| PART NUMBER                          |  |  |        |              |
| QUANTITY                             |  | MATERIALS LIST   |        |              |
| UNLESS OTHERWISE SPECIFIED           |  | SIGNATURES   |        | DATE         |
| 1) All dimensions are in metric(mm). |  | DRAWN:   | ROOKIE | 30/NOV/18    |
| 2) Tolerances are as follows:        |  | CHECKED:   | ORION  | 30/NOV/18    |
| 1 PL DEC ±0.30                       |  | ENGINEER:  |        |              |
| 2 PL DEC ±0.15                       |  | APPROVAL:  | TOMMY  | 30/NOV/18    |
| 3 PL DEC ±0.08                       |  | CUSTOMER:  |        |              |
| 3) Note reference =                  |  | THIS DRAWING IS SUPPLIED FOR INFORMATION ONLY. DESIGN FEATURES, SPECIFICATIONS AND PERFORMANCE DATA SHOWN HEREON ARE THE PROPERTY OF THE AMPHENOL CORPORATION. NO RIGHTS OF REPRODUCTION ARE IMPLIED. ALL DIMENSIONS ARE SUBJECT TO NORMAL MANUFACTURING VARIATIONS. |        |              |
| MATERIAL SPECIFICATIONS:             |  | <p><b>Amphenol</b></p> <p>Sine Systems - www.amphenol-sine.com<br/>44724 Morley Drive<br/>Clinton Township, MI 48036</p> <p>6P RECEPTACLE, FLANGE MOUNT, BLACK, RD</p>   |        |              |
| PROCESS SPECIFICATIONS:              |  | SIZE   | TYPE   | DWG NO.      |
| NEXT ASSY:                           |  | B  | C-     | AT04-6P-CL06 |
|                                      |  | SCALE  | NONE   | REVISION A1  |
|                                      |  |  |        | SHEET 1 OF 2 |

TITLE: 6P RECEPTACLE, FLANGE MOUNT, BLACK, RD  
DWG NO.: AT04-6P-CL06  
REV: A1  
SH: 1  
OF: 2

| REVISIONS |     |                |           |        |       |
|-----------|-----|----------------|-----------|--------|-------|
| REV       | ECO | DESCRIPTION    | DATE      | BY     | APPR  |
| A1        | -   | RELEASE NUMBER | 30/NOV/18 | ROOKIE | TOMMY |

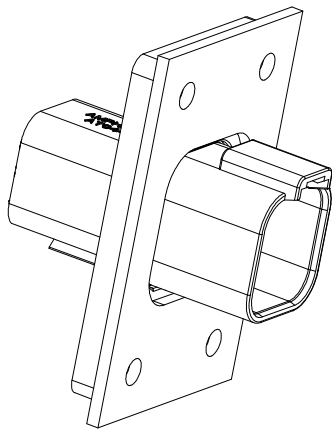


RECOMMENDED CUTOUT  
FRONT AND REAR MOUNT

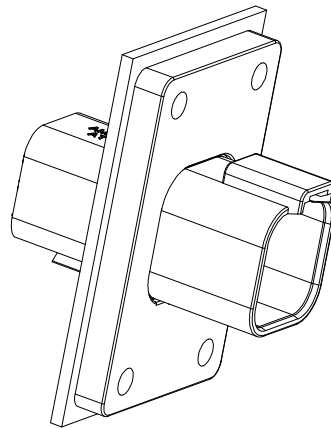


OPTIONAL CUTOUT  
FRONT AND REAR MOUNT

FOR REFERENCE ONLY



FRONT MOUNT



REAR MOUNT

| AT04-6P-CL06  |  | DESCRIPTION  |  | ITEM  |
|---|--|--|--|---|
| PART NUMBER   |  |  |  |   |
| QUANTITY  |  | MATERIALS LIST   |  |   |
| <b>UNLESS OTHERWISE SPECIFIED</b><br>1) All dimensions are in metric (mm).<br>2) Tolerances are as follows:<br>1 PL DEC ±0.30<br>2 PL DEC ±0.15<br>3 PL DEC ±0.08<br>Fractions ±1/64<br>Angles ±1°<br>3) Note reference = |  | <b>SIGNATURES</b><br>DRAWN: ROOKIE<br>CHECKED: ORION<br>ENGINEER:<br>APPROVAL: TOMMY<br>CUSTOMER:  | <b>DATE</b><br>30/NOV/18<br>30/NOV/18<br>30/NOV/18 | <b>Amphenol</b><br>Sine Systems - www.amphenol-sine.com<br>44724 Morley Drive<br>Clinton Township, MI 48036<br>6P RECEPTACLE, FLANGE MOUNT, BLACK, RD |
| MATERIAL SPECIFICATIONS:  |  | THIS DRAWING IS SUPPLIED FOR INFORMATION ONLY. DESIGN FEATURES, SPECIFICATIONS AND PERFORMANCE DATA SHOWN HEREON ARE THE PROPERTY OF THE AMPHENOL CORPORATION. NO RIGHTS OF REPRODUCTION ARE IMPLIED. ALL DIMENSIONS ARE SUBJECT TO NORMAL MANUFACTURING VARIATIONS. |  | SIZE: <b>B C-</b><br>SCALE: NONE  |
| PROCESS SPECIFICATIONS:   |  | DWG NO: <b>AT04-6P-CL06</b>  |  | REVISION: <b>A1</b><br>SHEET 2 OF 2   |
| NEXT ASSY:  |  |  |  |   |

TITLE: 6P RECEPTACLE, FLANGE MOUNT, BLACK, RD  
 DWG NO.: AT04-6P-CL06  
 REV: A1  
 SH: 2  
 OF: 2