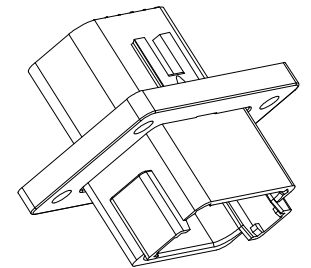
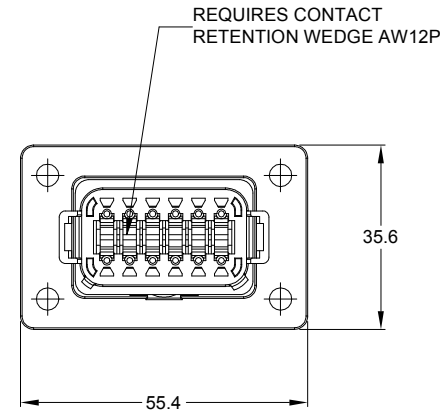
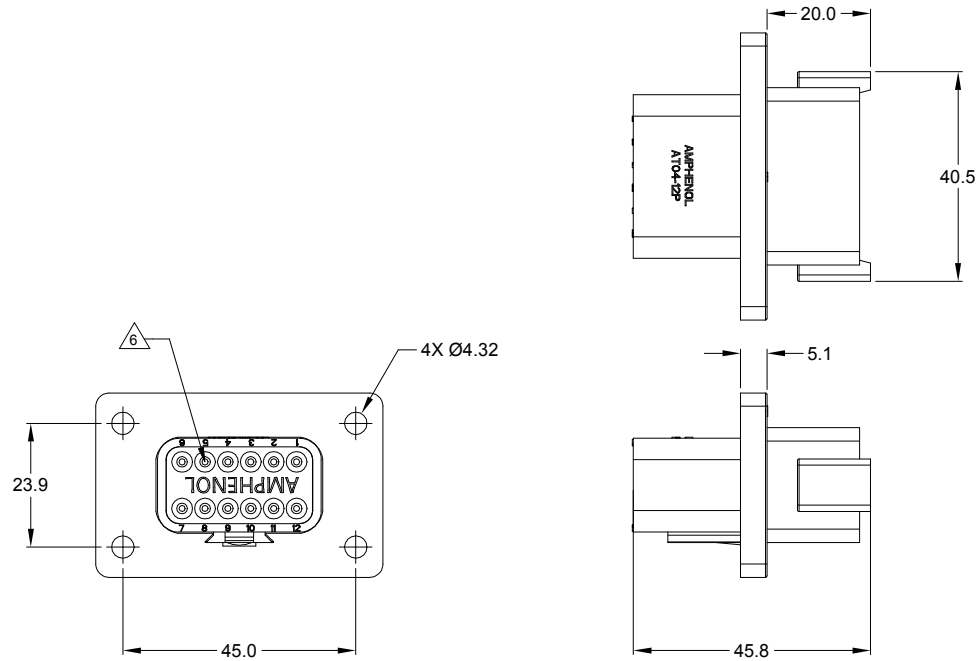


| REVISIONS | | | | | |
|-----------|-----|----------------|-----------|--------|-------|
| REV | ECO | DESCRIPTION | DATE | BY | APPR |
| A1 | - | RELEASE NUMBER | 30/NOV/18 | ROOKIE | TOMMY |



NOTES: UNLESS OTHERWISE SPECIFIED

- COLOR: BLACK
- MATERIAL:
HOUSING: THERMOPLASTIC
SEAL: SILICONE RUBBER
- MODIFICATIONS: FLANGE, END CAP
- SPECIFICATIONS:
 - CURRENT RATING: 13 AMPS
 - OPERATING TEMPERATURE: -55°C TO +125°C.
 - DIELECTRIC WITHSTANDING VOLTAGE: LESS THAN 2 MILLIAMPS CURRENT LEAKAGE @ 1500 VOLTS AC.
 - INSULATION RESISTANCE: 1000 MEGOHMS MIN @ 25°C.
 - MOISTURE RESISTANCE: IP67 (MATED CONDITION)
 - MATING CYCLE DURABILITY: 100 CYCLES
 - RoHS COMPLIANT
- MATING PART: AT06-12SA* PLUG.
(* = MODIFICATIONS AND COLORS)
- ALL DIMENSIONS ARE FOR REFERENCE USE ONLY.

CONTACT SIZE AND REAR SEAL WIRE RANGE:

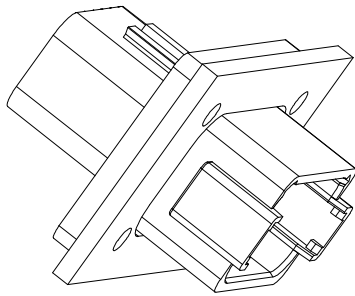
| CONTACT SIZE | MIN. INSUL O.D. | MAX. INSUL O.D. | TYPICAL WIRE RANGE |
|--------------|-------------------|-------------------|--------------------|
| 16 | 2.24 mm (.088 in) | 3.68 mm (.145 in) | 14 - 20 AWG |

| AT04-12PA-LE14 | | DESCRIPTION | | ITEM |
|---|--|--|-------------|---|
| PART NUMBER | | DESCRIPTION | | ITEM |
| QUANTITY | | | | |
| MATERIALS LIST | | | | |
| UNLESS OTHERWISE SPECIFIED | | SIGNATURES | DATE | <p>Sine Systems - www.amphenol-sine.com 44724 Morley Drive Clinton Township, MI 48036</p> |
| 1) All dimensions are in metric(mm). | | DRAWN: ROOKIE | 30/NOV/18 | |
| 2) Tolerances are as follows: | | CHECKED: ORION | 30/NOV/18 | |
| 1 PL DEC ±0.30 Fractions ±1/64 2 PL DEC ±0.15 Angles ±1° 3 PL DEC ±0.06 | | ENGINEER: | | |
| 3) Note reference = | | APPROVAL: TOMMY | 30/NOV/18 | |
| MATERIAL SPECIFICATIONS: | | CUSTOMER: | | |
| PROCESS SPECIFICATIONS: | | THIS DRAWING IS SUPPLIED FOR INFORMATION ONLY. DESIGN FEATURES, SPECIFICATIONS AND PERFORMANCE DATA SHOWN HEREON ARE THE PROPERTY OF THE AMPHENOL CORPORATION. NO RIGHTS OF REPRODUCTION ARE IMPLIED. ALL DIMENSIONS ARE SUBJECT TO NORMAL MANUFACTURING VARIATIONS. | | |
| NEXT ASSY: | | SCALE: NONE | | |
| | | SIZE B C- TYPE C- DWG NO: AT04-12PA-LE14 | | REVISION A1 |
| | | SHEET 1 OF 2 | | |

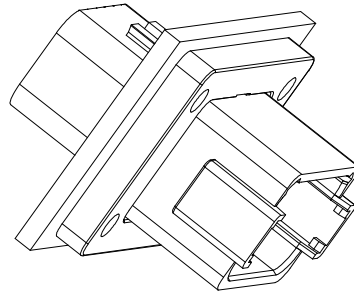
TITLE: 12PA RECEPTACLE, FLANGE MOUNT, BLACK
DWG NO.: AT04-12PA-LE14
REV: A1
SH: 1
OF: 2

| REVISIONS | | | | | |
|-----------|-----|----------------|-----------|--------|-------|
| REV | ECO | DESCRIPTION | DATE | BY | APPR |
| A1 | - | RELEASE NUMBER | 30/NOV/18 | ROOKIE | TOMMY |

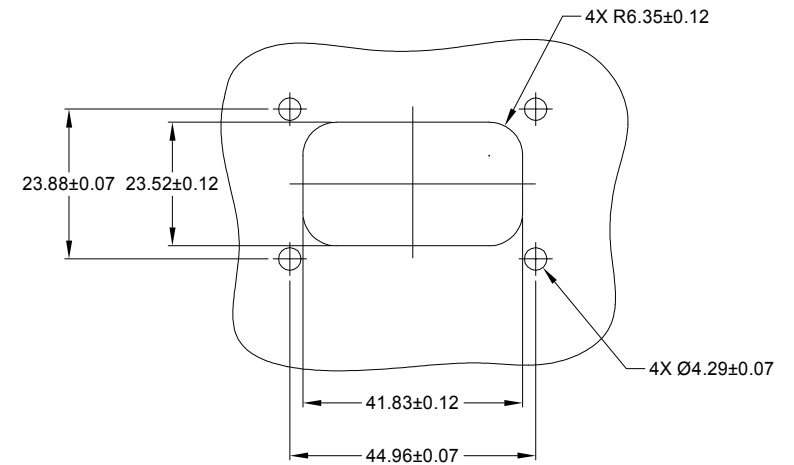
FOR REFERENCE ONLY



FRONT MOUNT



REAR MOUNT



RECOMMENDED CUTOUT
FRONT AND REAR MOUNT

| | | |
|----------------|-------------|------|
| AT04-12PA-LE14 | | |
| PART NUMBER | DESCRIPTION | ITEM |

| QUANTITY | | | | MATERIALS LIST | | | |
|--|--|--|--|--|--|--|--|
| UNLESS OTHERWISE SPECIFIED 1) All dimensions are in metric(mm). 2) Tolerances are as follows: 1 PL DEC ±0.30 2 PL DEC ±0.15 3 PL DEC ±0.08 Fractions ±1/64 Angles ±1° 3) Note reference = | | | | SIGNATURES DRAWN: ROOKIE CHECKED: ORION APPROVAL: TOMMY CUSTOMER: | | DATE 30/NOV/18 30/NOV/18 30/NOV/18 | |
| MATERIAL SPECIFICATIONS: PROCESS SPECIFICATIONS: NEXT ASSY: | | | | THIS DRAWING IS SUPPLIED FOR INFORMATION ONLY. DESIGN FEATURES, SPECIFICATIONS AND PERFORMANCE DATA SHOWN HEREON ARE THE PROPERTY OF THE AMPHENOL CORPORATION. NO RIGHTS OF REPRODUCTION ARE IMPLIED. ALL DIMENSIONS ARE SUBJECT TO NORMAL MANUFACTURING VARIATIONS. | | | |
| | | | | SIZE B C- | | DWG NO: AT04-12PA-LE14 | |
| | | | | SCALE: NONE | | REVISION A1 | |
| | | | | SHEET 2 OF 2 | | | |

TITLE: 12PA RECEPTACLE FLANGE MOUNT, BLACK
 DWG NO: AT04-12PA-LE14
 REV: A1
 SH: 2
 OF: 2