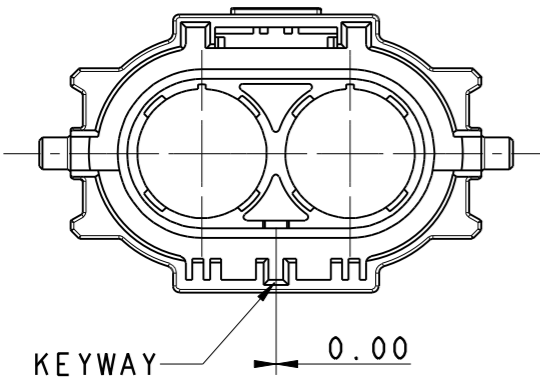
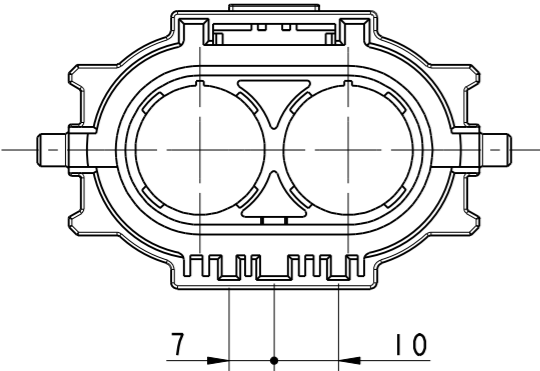


REV	ECN	DESCRIPTION	DATE	MODIFIED
1		PRE-RELEASE	25/04/16	RY
2			29/07/16	RY

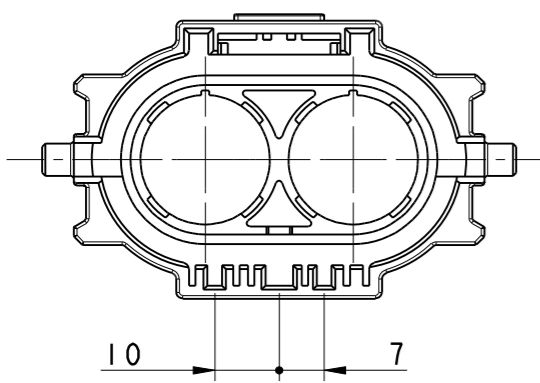
CUSTOMER DRAWING



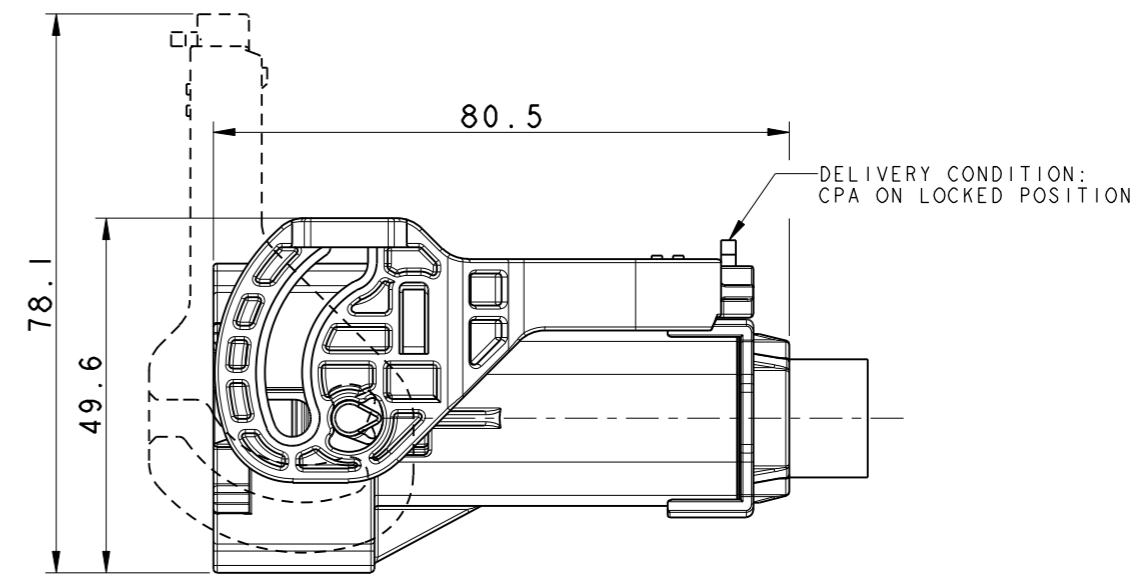
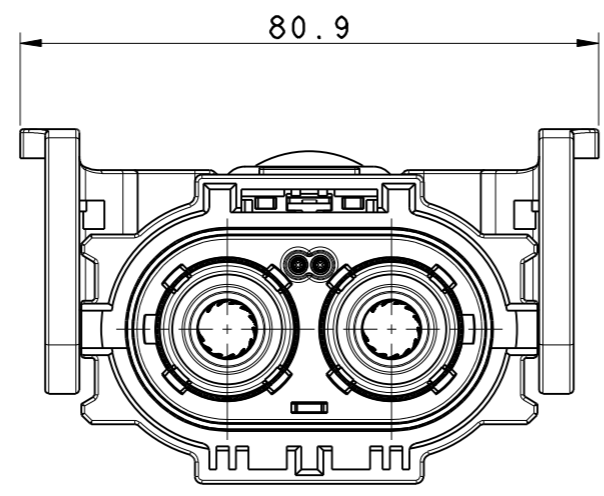
HVSL800062AXXX  
CODING A



HVSL800062BXXX  
CODING B



HVSL800062CXXX  
CODING C



HOW TO ORDER

HVSL 800 06 2X X XX

- A: CODING A
- B: CODING B
- C: CODING C
- 0: WITHOUT HVIL
- 1: WITH HVIL
- 50: CROSS-SECTION 50mm<sup>2</sup>  
WIRE OD=16.5 ± 0.4mm
- 35: CROSS-SECTION 35mm<sup>2</sup>  
WIRE OD=14.2 ± 0.4mm

NOTES:

- MATERIAL & FINISH:  
PLASTIC BODY: THERMOPLASTICS UL 94V-0 ORANGE COLOR  
SOCKET CONTACT: COPPER ALLOY SILVER PLATED
- ELECTRONICAL CHARACTERISTICS:  
HIGH VOLTAGE RATED 1000 V DC MAX.  
CURRENT RATED 180 A MAX.  
WITHSTANDING VOLTAGE 3000 V AC  
PRODUCTS ARE COMPLIANCE WITH EN 60664-1 POLLUTION II
- ENVIROMENT CHARACTERISTICS:  
IP67 IP6K9K RATED (WHEN MATING)  
IP2XB RATED FOR FINGER TOUCH-PROOF

<b>DIMENSIONS</b> ANSI Y14.5M UNITS: MM Pro/E FILE	<b>TOLERANCES</b> .X ±0.3 .XX ±0.10 ANGLES ±0.5°	<b>PROJECTION</b> 	Amphenol Pcd Shenzhen ENGR RY 25/04/16		<b>TITLE</b> HVSL 800 06 2 X X XX PLUG ASSEMBLY		
			ORIGINAL NOT FOR CUSTOMER DISTRIBUTION	THIS DOCUMENT CONTAINS PROPRIETARY INFORMATION WHICH IS THE CONFIDENTIAL PROPERTY OF AMPHENOL PCD SHENZHEN		SIZE <b>A3</b>	DWG NO. <b>C-HVSL800062XXXX</b>
			CODE: 58982	SCALE: 1:1	SHEET 1 OF 1		

C-HVSL800062XXXX

C-HVSL800062XXXX