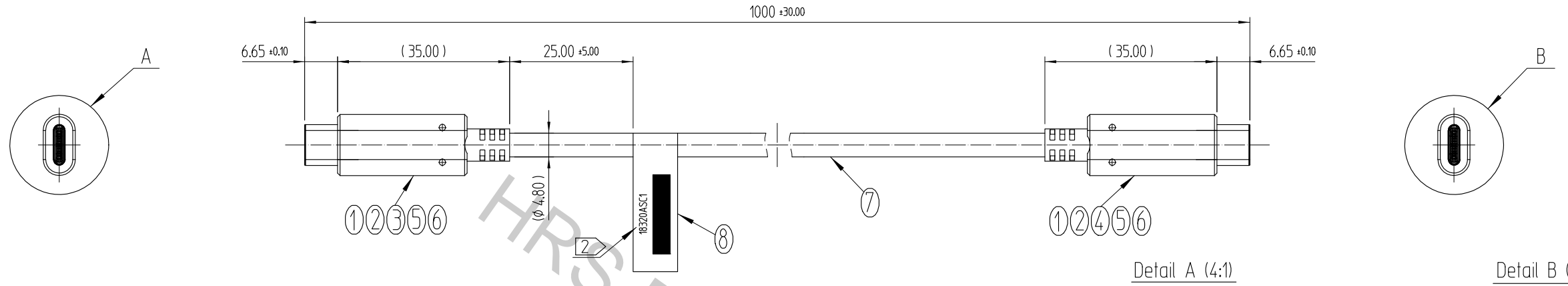


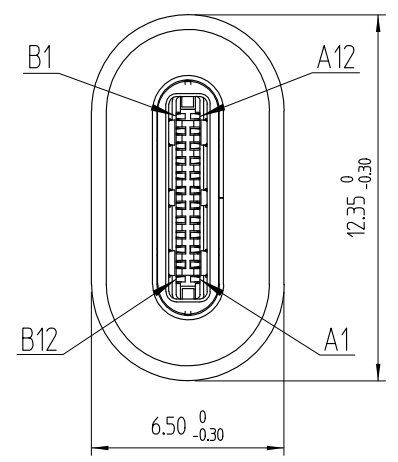
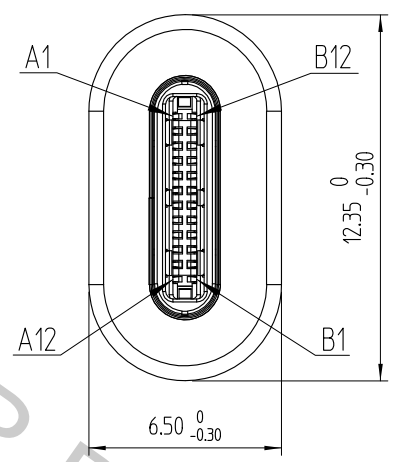
Mar.1.2019 Copyright 2019 HIROSE ELECTRIC CO., LTD. All Rights Reserved.
In case that the application demands a high level of reliability, such as automotive, please contact a company representative for further information.

△數 COUNT	訂正事項 DESCRIPTION OF REVISIONS	擔當 B Y	檢圖 CHKD	年月日 DATE	△數 COUNT	訂正事項 DESCRIPTION OF REVISIONS	擔當 B Y	檢圖 CHKD	年月日 DATE
△	- Revised	JSK	LHJ	18. 04. 17	△				
△					△				
△					△				



1 Pin Assignment and Wiring Table

A				CABLE	B			
PIN	SIGNAL NAME	SIGNAL	PAD		PIN	SIGNAL NAME	SIGNAL	PAD
A1, B1, A12, B12	GND	GND	GND	↔	GND	GND	GND	A1, B1, A12, B12
A4, B4, A9, B9	Vbus	Vbus	Vbus	↔	Vbus	Vbus	Vbus	A4, B4, A9, B9
A5	CC	CC	A5	↔	A5	CC	CC	A5
B5	Vconn	Vconn	B5	↔	B5	Vconn	Vconn	B5
A6	Dp1	D+	A6	↔	A6	D+	Dp1	A6
A7	Dn1	D-	A7	↔	A7	D-	Dn1	A7
A2	SSTxp1	TX1+	A2	↔	A2	TX1+	SSTxp1	A2
A3	SSTxn1	TX1-	A3	↔	A3	TX1-	SSTxn1	A3
B11	SSRxp1	RX1+	B11	↔	B11	RX1+	SSRxp1	B11
B10	SSRxn1	RX1-	B10	↔	B10	RX1-	SSRxn1	B10
B2	SSTxp2	TX2+	B2	↔	B2	TX2+	SSTxp2	B2
B3	SSTxn2	TX2-	B3	↔	B3	TX2-	SSTxn2	B3
A11	SSRxp2	RX2+	A11	↔	A11	RX2+	SSRxp2	A11
A10	SSRxn2	RX2-	A10	↔	A10	RX2-	SSRxn2	A10
A8	SBU1	SBU1	A8	↔	A8	SBU1	SBU1	A8
B8	SBU2	SBU2	B8	↔	B8	SBU2	SBU2	B8
SHELL	SHIELD	n / a		↔		n / a	SHIELD	SHELL



2 Lot No.

18 2 20 AS C 1
① ② ③ ④ ⑤ ⑥

① : Years ④ : Factory
② : Month ⑤ : Line No.
③ : Day ⑥ : Lot No.

NOTE

- 1 Pin Assignment and Wiring Table
- 2 Lot No.
- 3 Use a cable made of TOTOKU ELECTRIC [V-Y18C-30SA-CP]

8	LABEL	-	1
7	CABLE	3	-
6	OUTER MOLD	V398 65P Black	-
5	INNER MOLD	M5100	-
4	USB Type C PCB	FD1700061(PCB Without E-Marker IC)	1
3	USB Type C PCBA	FD1700060(PCB With E-Marker IC)	1
2	USB Type C SHELL	CX60-SLDA	2
1	USB Type C PLUG	CX60-24S	2
NO.	PARTS NAME	PARTS No.	Q' TY

CODE NO. (OLD)	DRAWN J.H.BOO 18.02.23	DESIGNED S.K.JANG 18.02.23	CHECKED H.J.LEE 18.02.23	APPROVED T.S.SKANG 18.02.23	RELEASED DEPT 18.05.14 ENG
DRAWING NO. EDC3-632547	PART NO. CX60-24S-1000-C		CODE NO. CL 6240-0018-1		
SCALE 1:1 UNITS mm	HIROSE KOREA CO.,LTD.		1/1		