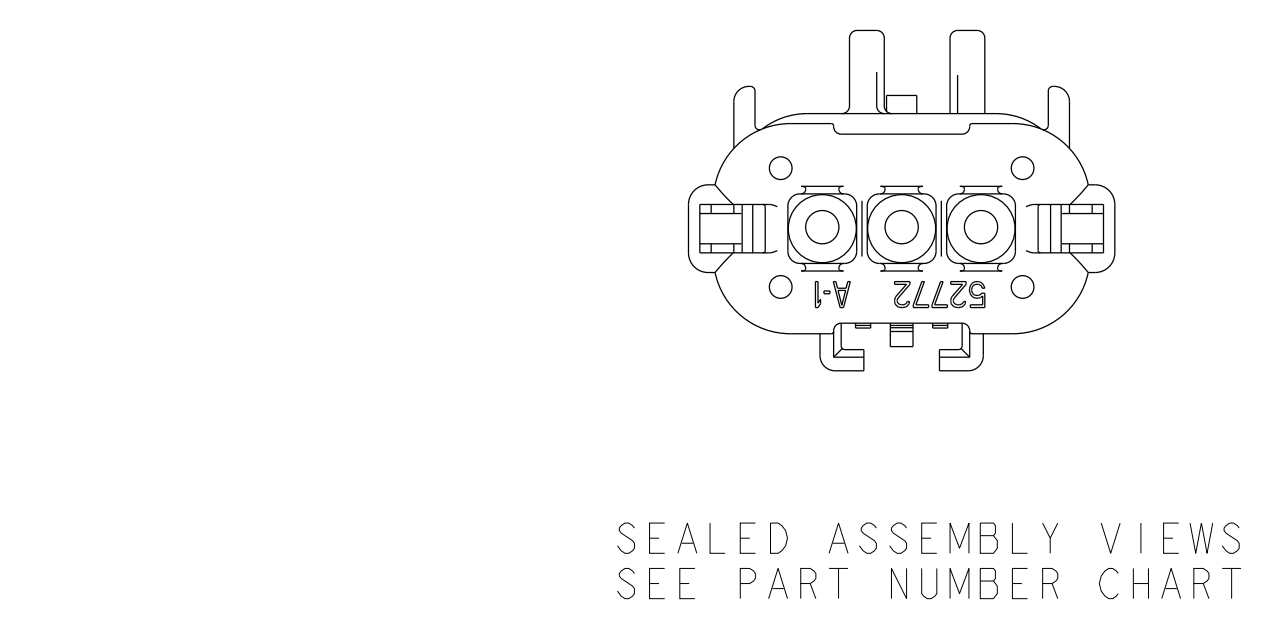
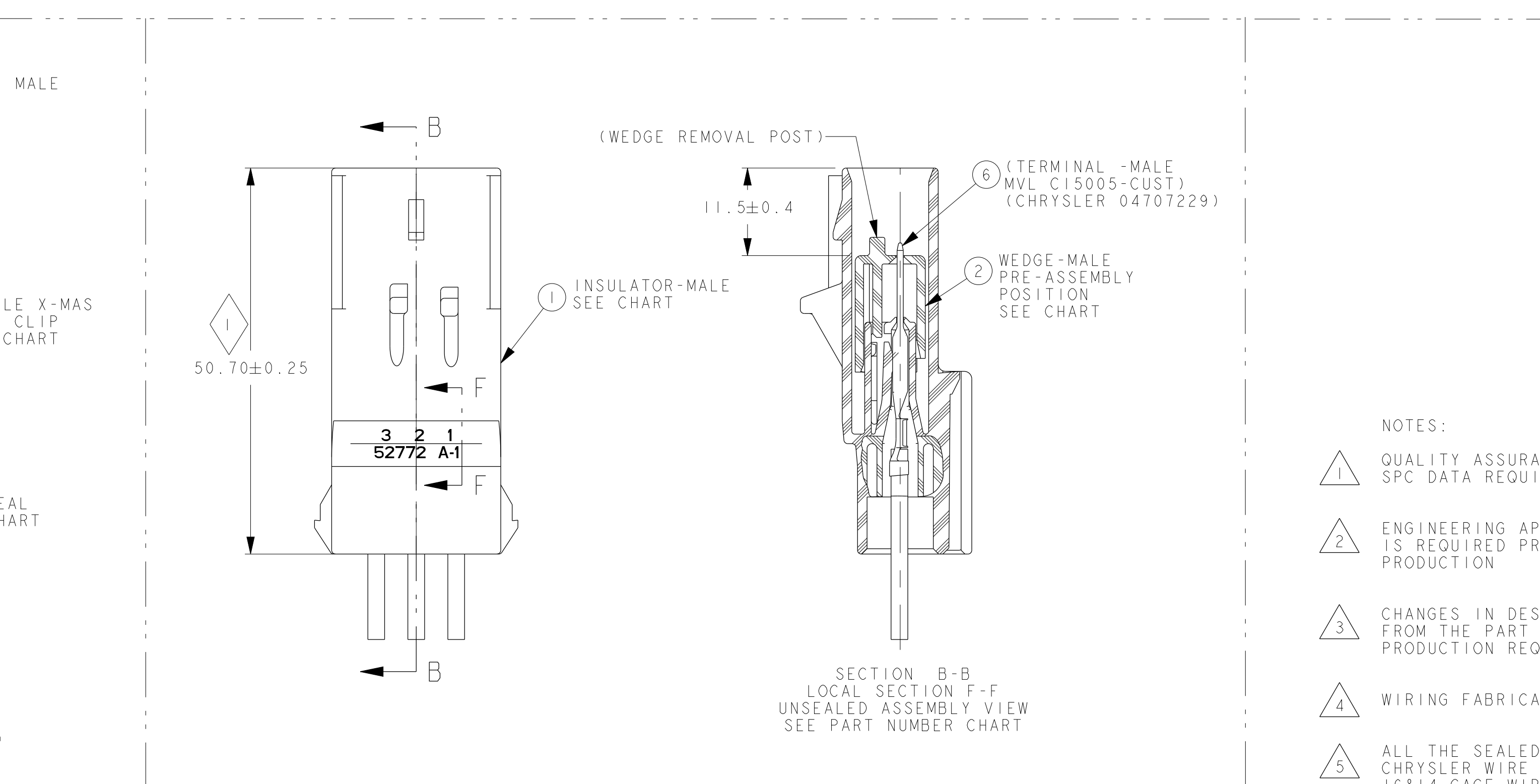
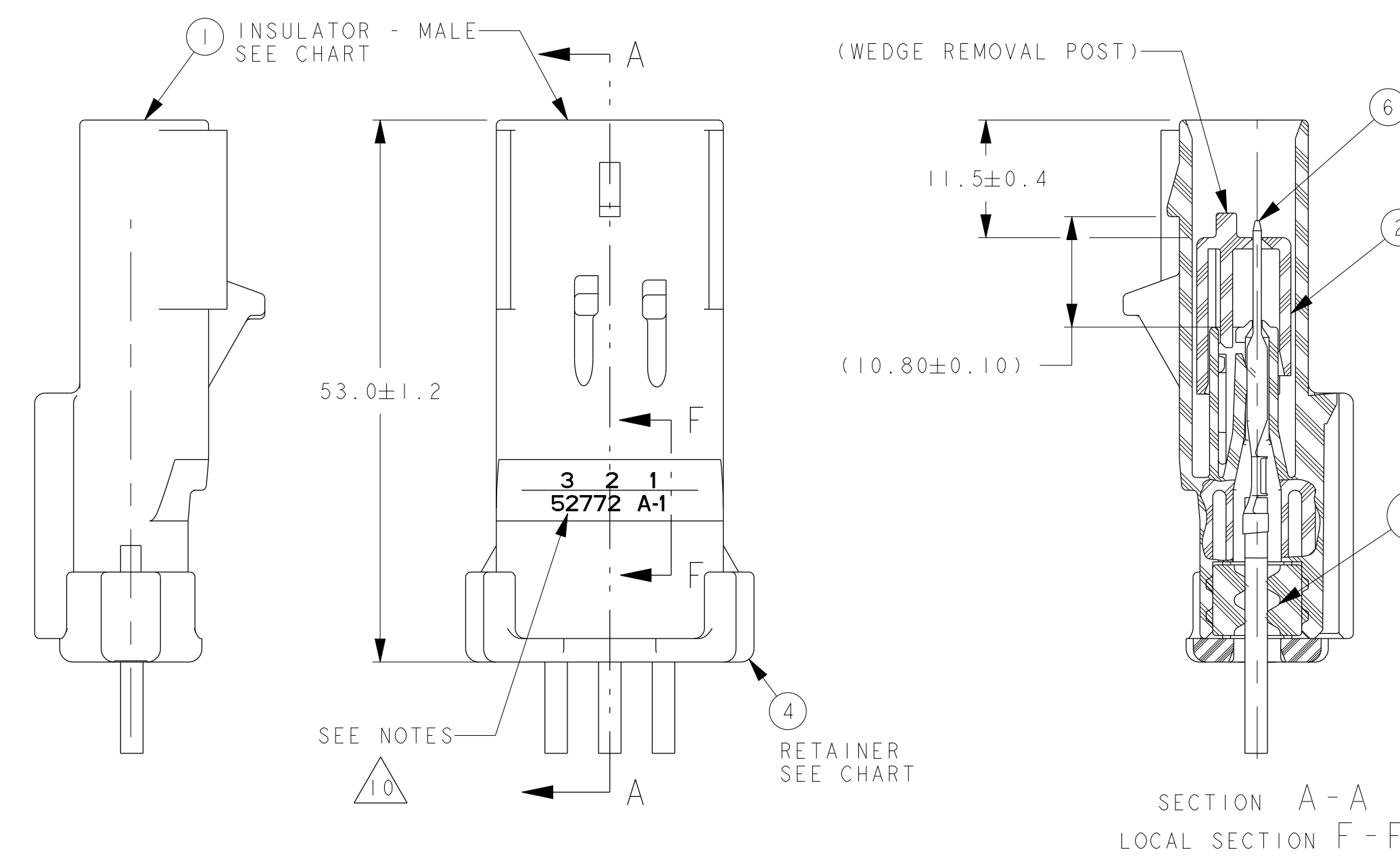


POLARIZATION OPTIONS
 FULL SIZE VIEWS



- NOTES:
- 1 QUALITY ASSURANCE REQUIREMENTS PER CHRYSLER PS-7300: 1 SPC DATA REQUIRED
 - 2 ENGINEERING APPROVAL OF SUPPLIER SAMPLES IS REQUIRED PRIOR TO AUTHORIZATION OF PART PRODUCTION
 - 3 CHANGES IN DESIGN COMPOSITION OR PROCESSING FROM THE PART PREVIOUSLY APPROVED FOR PART PRODUCTION REQUIRES PRIOR ENGINEERING APPROVAL
 - 4 WIRING FABRICATORS MUST PURCHASE FROM SOURCES SHOWN
 - 5 ALL THE SEALED CONNECTOR APPLICATIONS MAY BE USED WITH CHRYSLER WIRE SPEC. MS-8288 OR MS-9502 THIN WALL X-LINK 20,18, 16&14 GAGE WIRES ONLY UNLESS OTHERWISE SPECIFIED SEE CHART (WIRE INSULATIONS Ø1.70 MIN TO Ø2.70 MAX).
 - 6 ALL NON-SEALED APPLICATIONS MAY BE USED WITH ANY WIRE INSULATION 22 GAGE THRU 10 GAGE (EXCEPT AS NOTED) PROVIDING THAT A TERMINAL GRIP FOR THAT CORE/INSULATION COMBINATION IS SHOWN ON THE MALE TERMINAL DRAWING
- NOTE: MAX. INSULATION CRIMP WIDTH = 4.50
 MAX. INSULATION CRIMP HEIGHT = 4.50
 MAX. INSULATION DIA. = 4.09 (10 GA THIN WALL)
- USED WITH FOLLOWING COMPONENTS AS REQUIRED:
 CAVITY PLUG MVL 54200005, DELPHI 15316894
 DOUBLE X-MAS TREE CLIP MVL 54200010, DELPHI 13768145 W/FORWARD STOP
 DOUBLE X-MAS TREE CLIP CHRYSLER 04707001
 SINGLE X-MAS TREE CLIP CHRYSLER 04625797
 2.80MM APEX MALE TERM PER MVL C15005-CUST SYM ABOUT CENTERLINE FOR 180° ORIENTATION
- 7 TEST METHOD PER SPEC# SAE/JUSCAR-2 REV. 5, CONNECTOR ENGAGE & DISENGAGE WITH FEMALE LATCH DEPRESSED FORCE NOT TO EXCEED 75 N FOR THIS SYSTEM
 - 8 WEDGE SEATING FORCES - 100 N MAX
 X-MAS TREE CLIP INSERTION FORCES - 75 N MAX
 - 9 SUPPLIER, MOLD & CAVITY I.D. SIGNIFIES TOOL OWNERSHIP, FOR REFERENCE
- ANNUAL QUALITY REQUIREMENTS:
- 10 IT IS PERMISSIBLE TO PERFORM CONTINUOUS CONFORMANCE PER MVL SPECIFICATION #QA-001 INSTEAD OF ANNUAL LAYOUT & ANNUAL PV REQUIREMENTS OF QS-9000 SECTION 2 & SAE/JUSCAR-2 REV. 5

MATING PART NUMBER CHART											
D	NATURAL	UNSEALED	54200307	33511488	N/A	54200303N	33511484	N/A			
D	NATURAL	UNSEALED	54200307	33511488	N/A	54200303N	33511484	N/A			
		SEALED	54200307	33511488	C 56038170	54200303	33500092	C 56038156			
		SEALED	54200315	33500095	C 56038166	54200311N	33511483	N/A			
C	DK GREY	UNSEALED	54200306	33511487	N/A	54200302N	33511482	N/A			
		SEALED	54200306	33511487	C 56038169	54200302	33500091	C 56038155			
		SEALED	54200314	13865701	N/A	54200310N	33511481	N/A			
B	LT GREY	UNSEALED	54200305	33500094	N/A	54200301N	33511480	N/A			
		SEALED	54200305	33500094	C 56038168	54200301	33500090	C 56038154			
		SEALED	54200313	15435333	N/A	54200309N	33511479	N/A			
A	BLACK	UNSEALED	54200313	15435333	C 56038164	54200309	15380782	C 56038150			
		SEALED	54200312	15394689	N/A	F274110	33511478	N/A			
		SEALED	54200312	15394689	N/A	54200330N	33511477	N/A			
INDEX TYPE	COLOR	SEALED/UNSEALED	MALE ASSEMBLY			MATING ASSEMBLY FOR REFERENCE ONLY					
			MVL	DELPHI	CUSTOMER	MVL	DELPHI	CUSTOMER			

CHART - ASSEMBLY PART NUMBERS															
DELPHI	MVL	REV	PART NO.	REV	PART NO.	REV	UNSEALED			SEALED					
							CUSTOMER P/N'S	DELPHI	MVL	REV	DELPHI	MVL	REV		
			54200304	C	33500093	01	C 56038167								
			54200305	C	33500094	01	C 56038168								
			54200306	C	33511487	01	C 56038169								
			54200307	C	33511488	01	C 56038170								
			54200312	C	15394689	01	C 56038163								
			54200313	C	15435333	01	C 56038164								
			54200314	C	13865701	01	C 56038165								
			54200315	C	33500095	01	C 56038166								
			54200337	D	33511480	01	C 04794703AA								
			54200367	E	33511489	01	C 04794703AB								

LEGENDS:
 C - CHRYSLER
 F - FORD
 GM - GENERAL MOTORS
 MVL - MOTORIZED VEHICLES DIVISION
 YNA - YAZAKI NORTH AMERICA

13-00360	ECO 422555 - DELPHI P/N'S ADDED FOR MVL PARTS WITH REV LEVELS CHARTS AND NOTES			
11946	ALL REVISED AND REDRAWN IN PDS. P/N'S F274110, F084110 ADDED FOR TEMPERATURE CLASS 4 APPLICATION AND TABLE UPDATED. SEE REV. #2 FOR PREVIOUS CHANGES. P/N'S 54200358 AND MATING P/N 54200350 DELETED NOT TOOLED			
REV. NO.	ZONE	DESCRIPTION	DATE	BY
1				
2				

THIS DRAWING IS THE PROPERTY OF DELPHI CORPORATION AND CONTAINS DELPHI CONFIDENTIAL INFORMATION. THE REPRODUCTION, DISTRIBUTION AND USE OF THIS DRAWING IS STRICTLY PROHIBITED WITHOUT THE WRITTEN PERMISSION OF DELPHI CORPORATION.

DELPHI
 3MAY10
 H59011
 SERIAL RELEASED