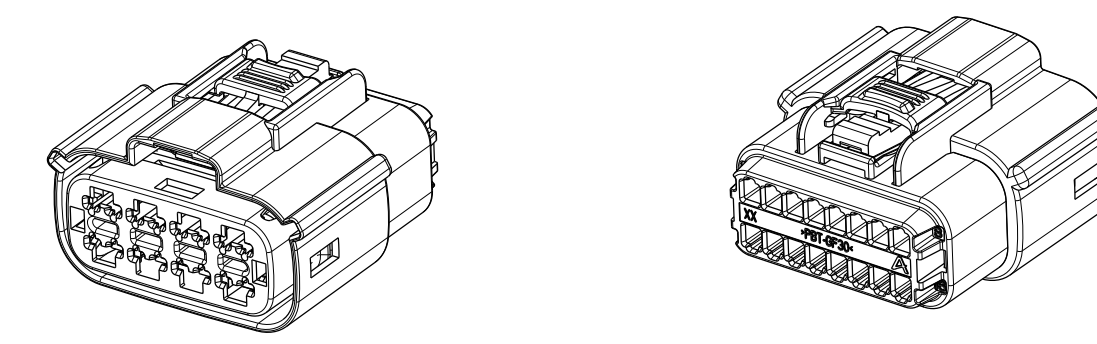
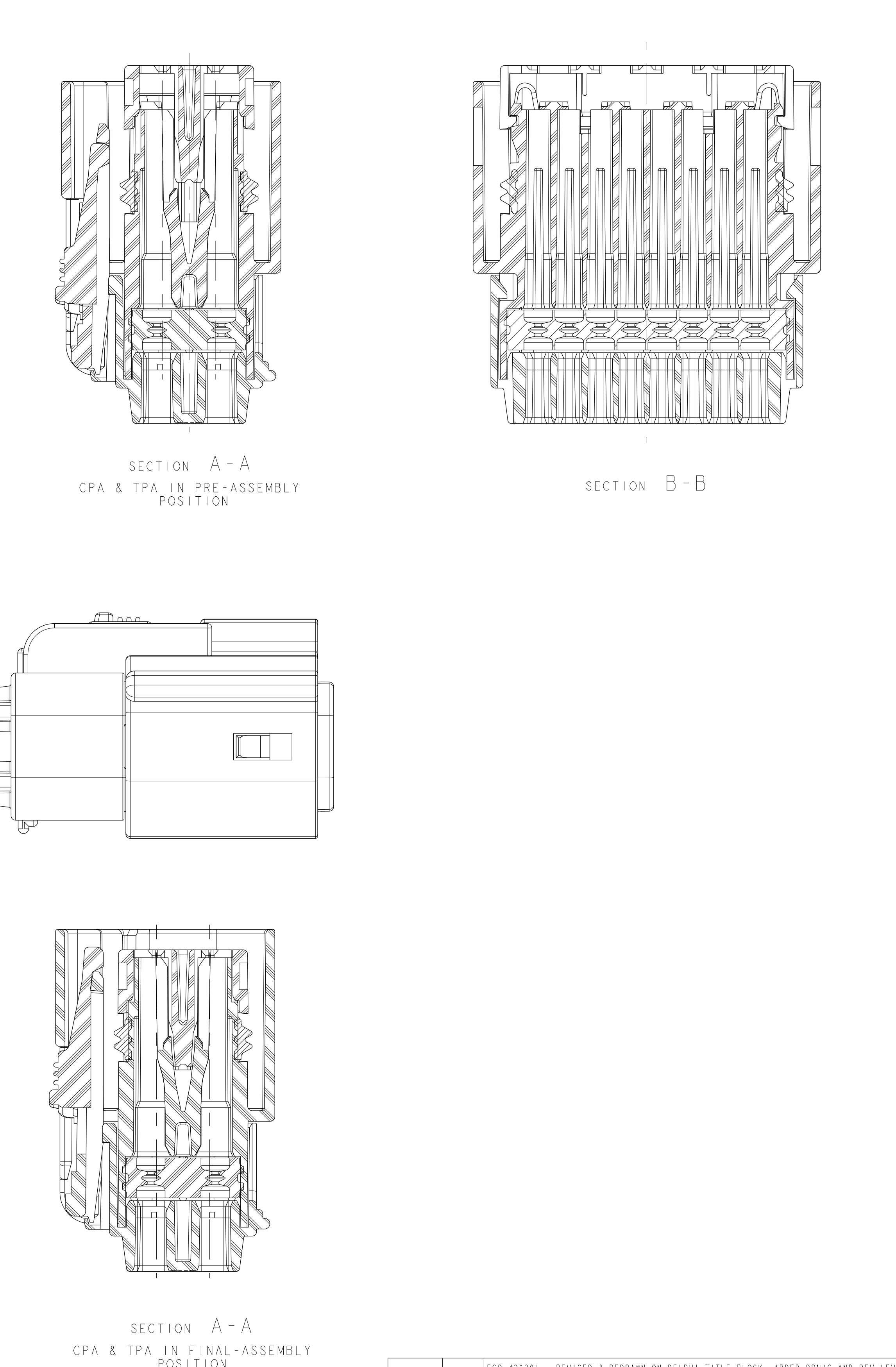
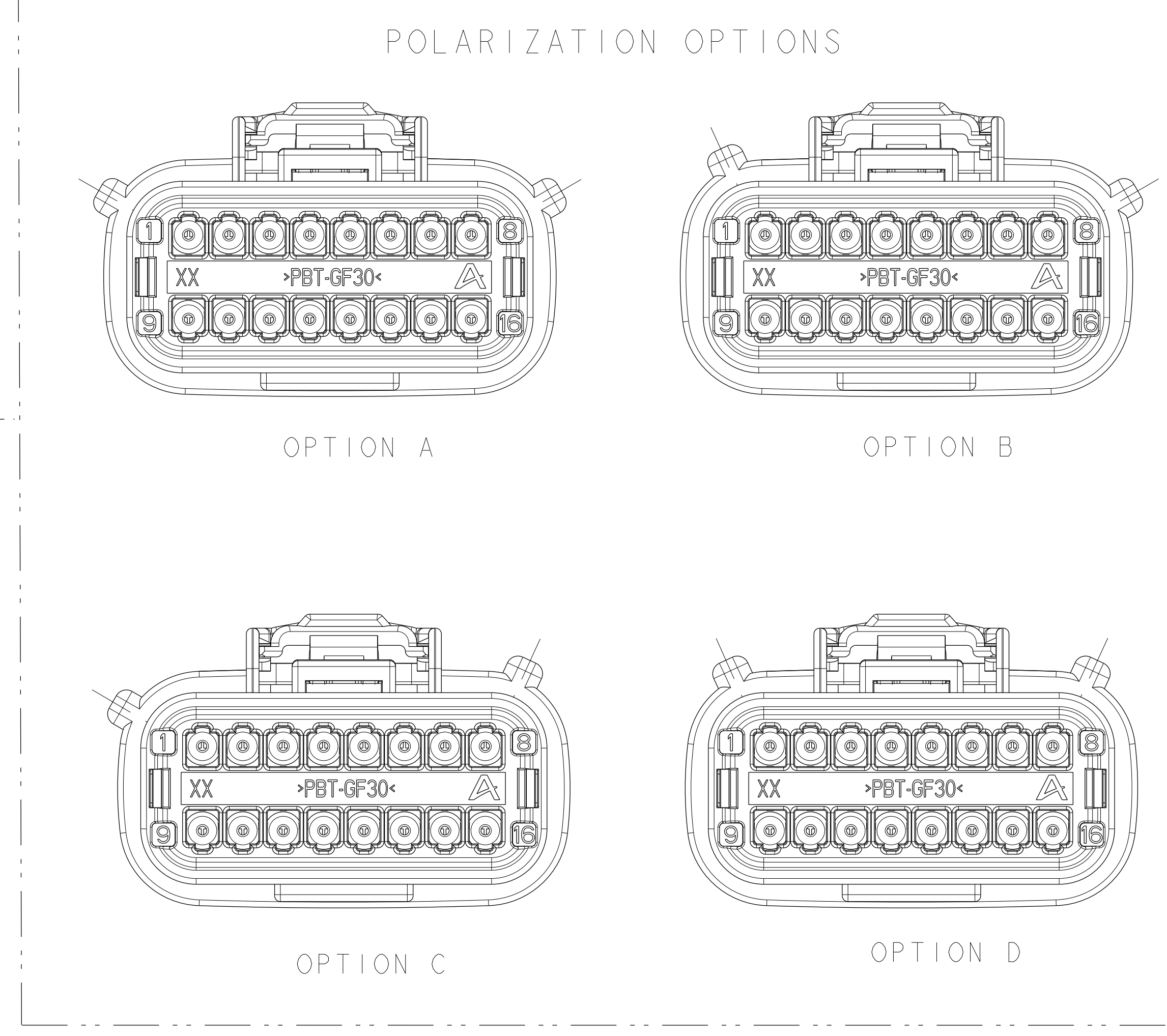
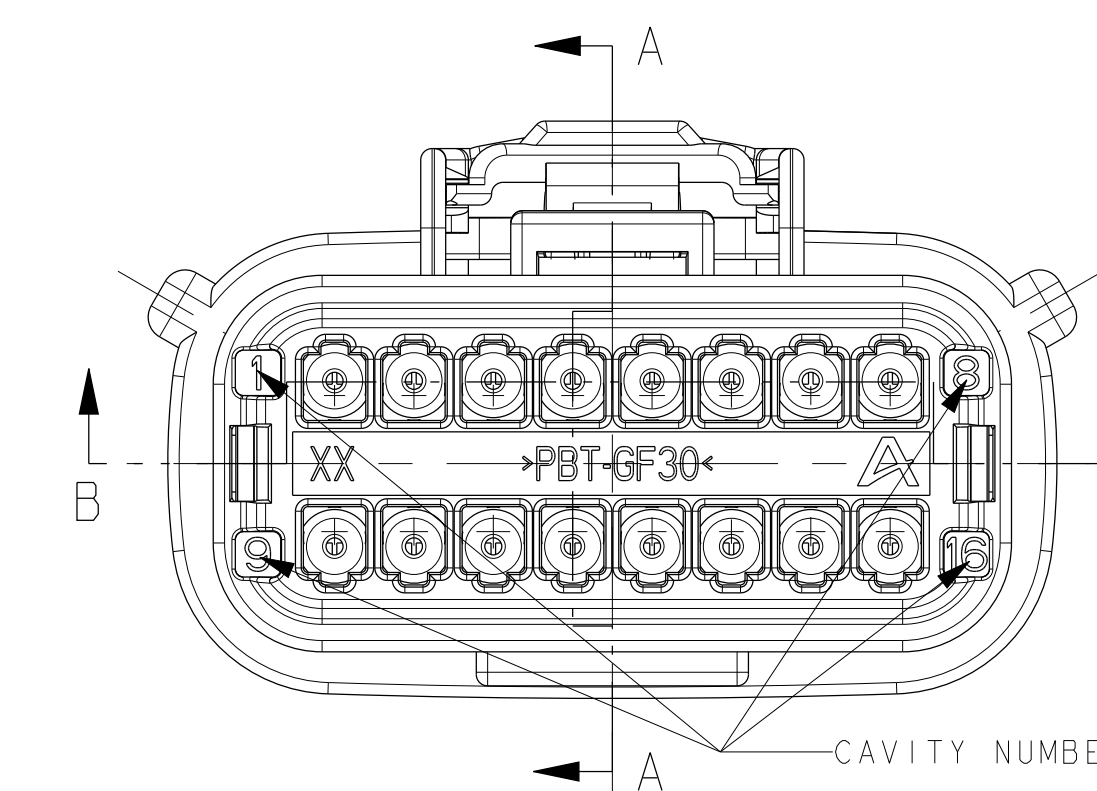
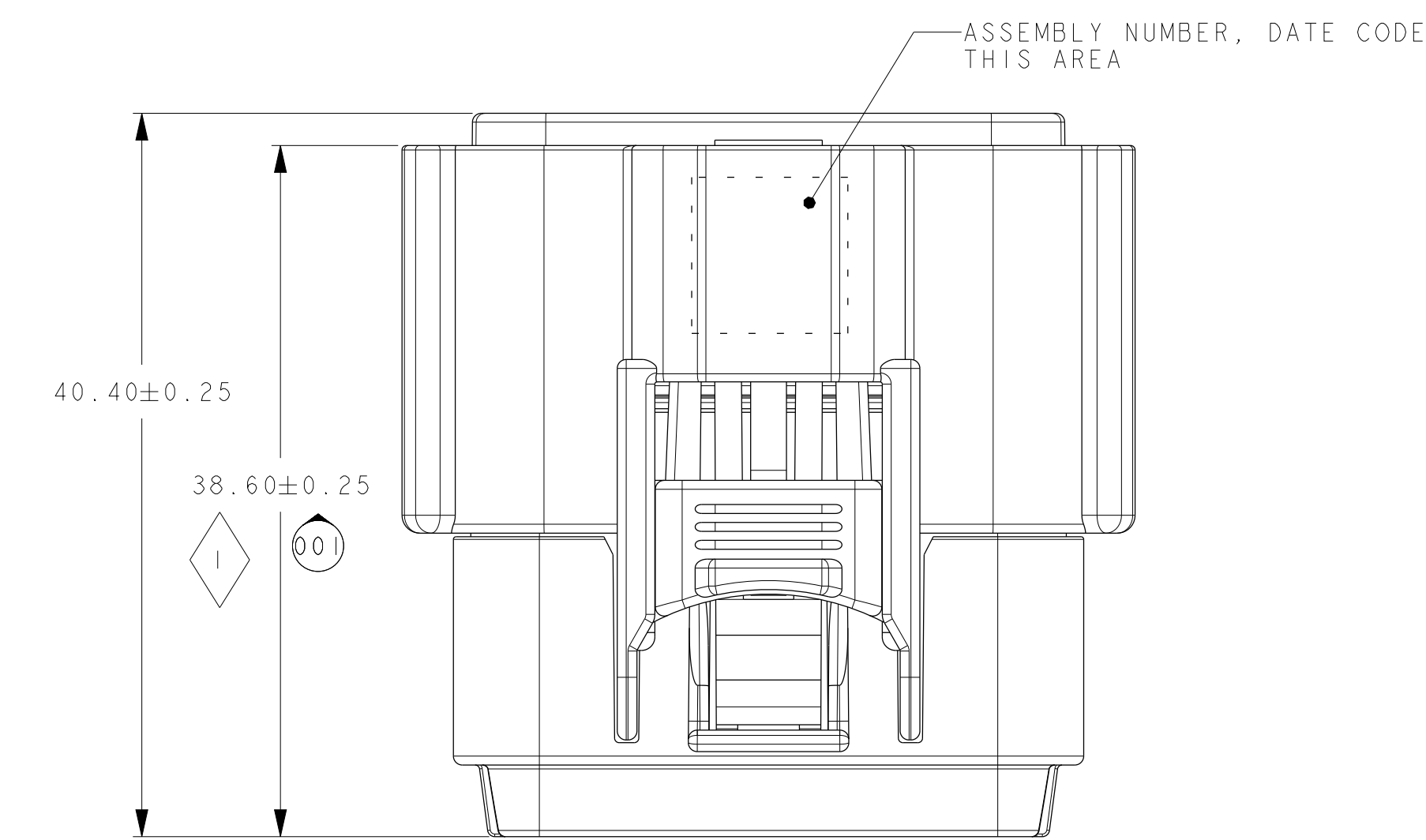
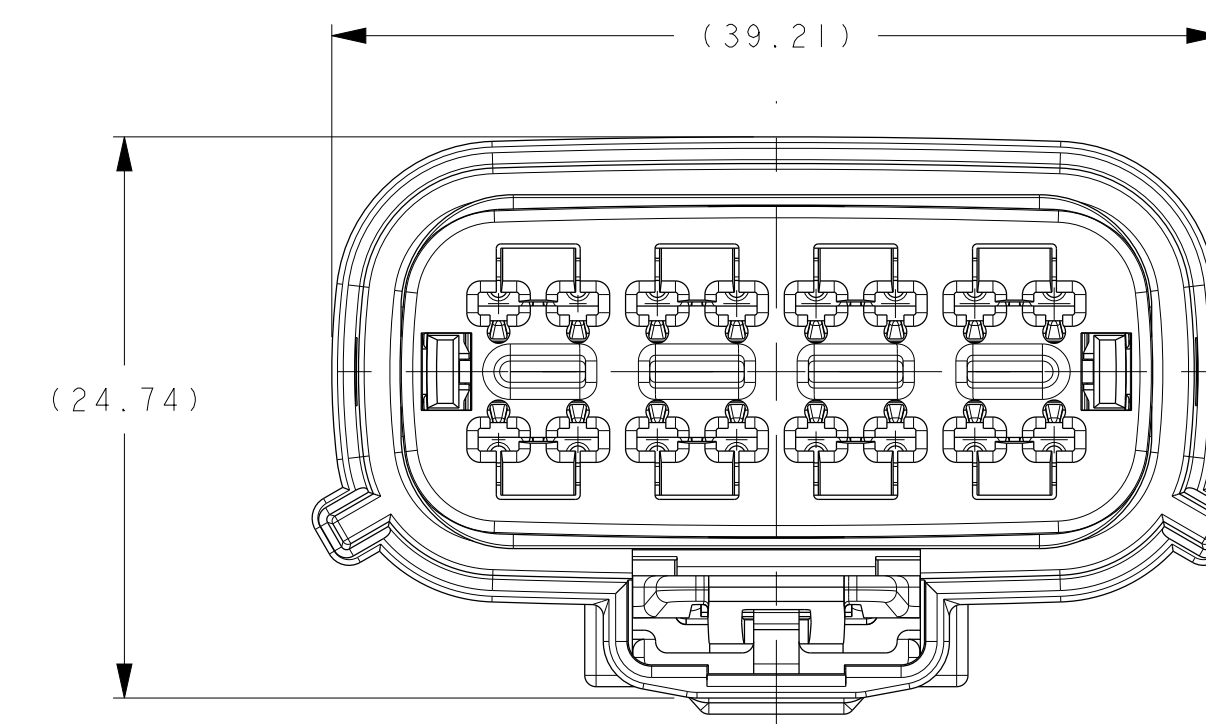


ASSEMBLY PART NUMBER CHART																																		
WITH CPA			WITHOUT CPA			KEY OPTION	COLOR	COMPONENTS								OPEN CIRCUITS	MATES WITH ASSEMBLY (REFERENCE ONLY)																	
NUMBER	REV	DELPHI	NUMBER	REV	DELPHI			HOUSING	RETAINER	PLUGGED (X) SEAL POSITIONS								PART NUMBER	DELPHI	MVL	DELPHI													
54241630	E	13625159	01	54241630N	E	33500349	01	A	Black	54241680	33503624														54241600	13625160	54241604	33500141						
54241631	E	13612755	01	54241631N	E	33500350	01	B	Grey	54241681	33503625														54241601	13612756	54241605	33500142						
54241632	E	13625155	01	54241632N	E	33500351	01	C	Brown	54241682	33503626														54241602	13625158	54241606	33500143						
54241633	E	13615883	01	54241633N	E	33500352	01	D	Green	54241683	33503627														54241603	13615882	54241607	33500144						
54241634	E	33500161	01	54241634N	E	33500353	01	A	Black	54241680	33503624					X									54241608	33500145	54241610	33500147						
54241635	E	33500162	01	54241635N	E	33500354	01	B	Grey	54241681	33503625					X									54241609	33500146	54241611	33500148						
54241636	E	13640994	01	54241636N	E	33500355	01	A	Black	54241680	33503624					X	X								54241612	33500149	54241614	33500151						
54241637	E	33500163	01	54241637N	E	33500356	01	B	Grey	54241681	33503625					X	X								54241613	33500150	54241615	33500152						
54241638	E	33500164	01	54241638N	E	33500357	01	A	Black	54241680	33503624					X	X								54241616	33500153	54241618	33500155						
54241639	E	33500165	01	54241639N	E	33500358	01	B	Grey	54241681	33503625					X	X								54241617	33500154	54241619	33500156						
54241640	E	33500166	01	54241640N	E	33500359	01	A	Black	54241680	33503624					X	X			X					54241620	33500157	54241622	33500159						
54241641	E	33500167	01	54241641N	E	33500360	01	B	Grey	54241681	33503625					X	X								54241621	33500158	54241623	33500160						
54241642	F	33510839	01	54241642N	F	33510890	-	A	Black	54241680	33503624					X									54241624	33510857								
54241643	F	33510840	01	54241643N	F	33510849	01	A	Black	54241680	33503624					X									54241625	33510858								
54241644	H	33510841	01	54241644N	H	33510850	01	A	Black	54241680	33503624					X	X			X					54241626	33510859								
55241600	H	33510842	01	55241600N	H	33510851	01																											
55241601	H	33510843	01	55241601N	H	33510852	01																											
55241602	H	33510844	01	55241602N	H	33510853	01	B	Grey	54241681	33503625					X	X	X	X	X	X													
55241603	H	33510845	01	55241603N	H	33510854	01																											
55241604	J	33510846	01	55241604N	J	33510855	01																											
55241605	J	33510847	01	55241605N	J	33510856	01																											
F996100	A	33502293	01																															
F007100	A	33502104	01																															
F107100	A	33502126	01																															
F207100	A	33502150	01																															
F328100	A	33510848	01																															
MVL	REV	DELPHI	REV	MVL	REV	DELPHI	REV	KEY	COLOR	MVL	DELPHI	RETAINER	DELPHI	1	2	3	4	5	6	7	8	9	10	11	12	13	14	15	16	OPEN CRTS	MVL	DELPHI	MVL	DELPHI



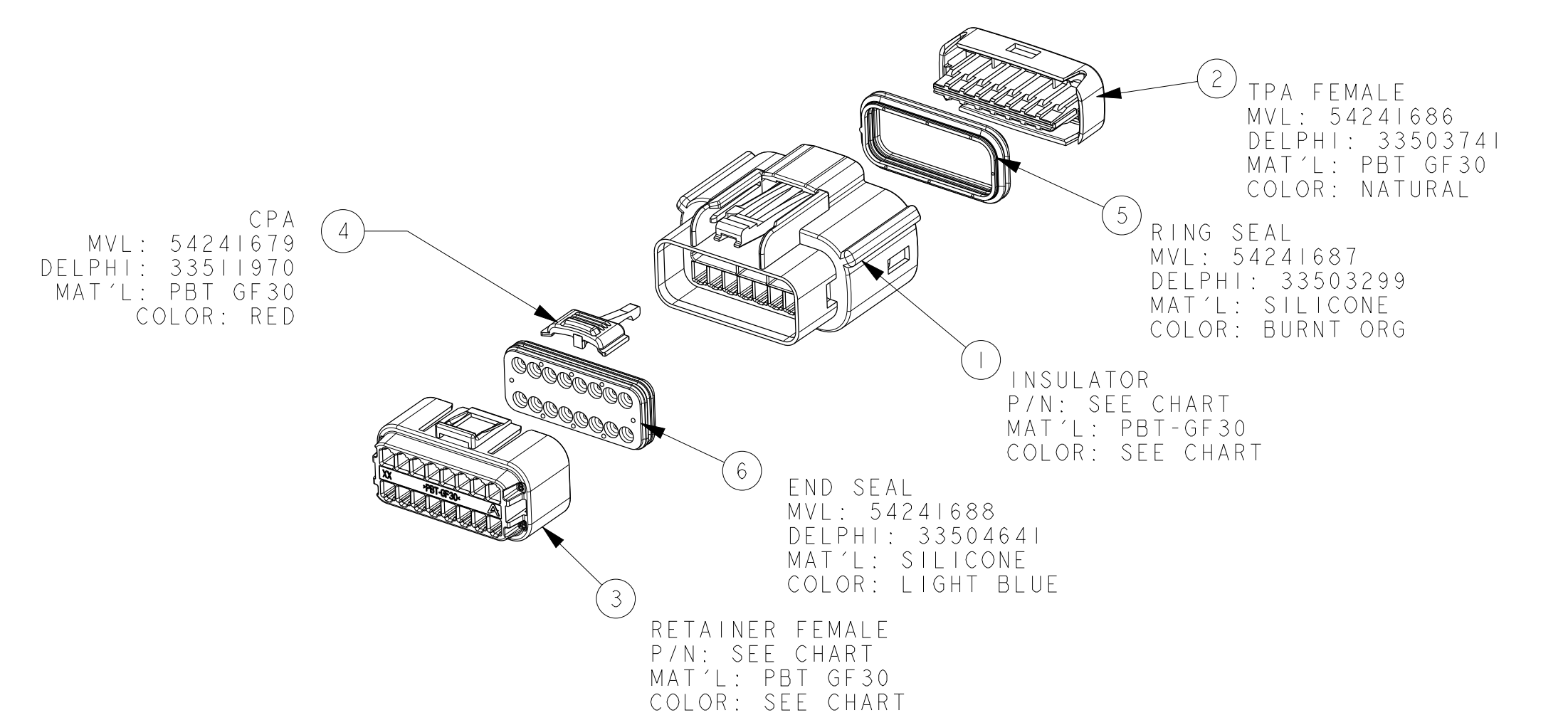
ISO-VIEWS, FULL SIZE



- NOTES:
- 1) MAXIMUM TEMPERATURE CLASS: 3 (-40°C TO +125°C)
 - 2) TEST METHOD PER: SAE/USCAR-2 REV-4 SAE/USCAR-20 REV-2
 - 3) CONNECTOR MAY BE USED WITH THE FOLLOWING RANGE OF WIRE SIZES/TYPES: -SIZE: 22 GAGE - 16 GAGE - 1.50mm MIN O.D. TO 2.41mm MAX O.D. -TYPE: TSL (MIL-123-A /MS-8208) -CONTACT MVL ENGINEERING REGARDING USE OF OTHER WIRE TYPES AND/OR SIZES
 - 4) CONNECTOR MAY BE USED WITH THE FOLLOWING TERMINALS: -MVL APEX150 WITH WIRE SIZES DEFINED IN NOTE 3. SEE MVL DRAWING J54011 FOR SPECIFIC PART NUMBERS AND CRIMPING REQUIREMENTS. -CONTACT MVL ENGINEERING REGARDING USE OF COMPATIBLE NON MVL TERMINALS
 - 5) ANNUAL QUALITY REQUIREMENTS: IT IS PERMISSIBLE TO PERFORM CONTINUOUS CONFORMANCE PER MVL SPECIFICATION 840A-001 INSTEAD OF ANNUAL LAYOUT AND ANNUAL PV REQUIREMENTS OF QS-9000 SECTION 2 AND SAE/USCAR-2 REV-4.
 - 6) INTERFACE REQUIREMENTS: MATES WITH MVL CONNECTORS AS SPECIFIED IN CHART AND WITH DEVICES THAT CONFORM TO USCAR 150-S-016-2-Z01
 - 7) QUALITY ASSURANCE REQUIREMENTS SPC DATA, REQUIRED

APPLICABLE COMPONENTS					
SUPPLIER PART NUMBER	COMP PART NUMBER	DELPHI PART NUMBER	ITEM DESCRIPTION	PLATING (MATERIAL)	GRIP SIZE
54001625	13613157		APEX 150 TERMINAL	TIN	16, 18
54002000	13624983		APEX 150 TERMINAL	TIN	20, 22
54001627	13779834		APEX 150 TERMINAL	GOLD	16, 18
54002002	13725913		APEX 150 TERMINAL	GOLD	20, 22
54241629	13613164		1.5 UNIVERSAL SEAL PLUG	PA66GF	

COMMON PART NUMBER CHART ONE EACH INCLUDED IN ASSEMBLY					
ITEM	MVL	DELPHI	DESCRIPTION	MATERIAL	COLOR
1	54241686	33503741	TPA FEMALE	PBT GF30	NATURAL
2	54241687	33503299	RING SEAL	SILICONE	BURNT ORG
6	54241688	33504641	MAT SEAL	SILICONE	LIGHT BLUE



ACTUAL SIZE VIEWS

ECO-NO.	ZONE	ALL	ECO 426301 - REVISED & REDRAWN ON DELPHI TITLE BLOCK, ADDED DPM'S AND REV LEVELS FOR MVL PARTS. PART NUMBER CHART UPDATED MVL WAS FCI. VIEWS RE-ALIGNED
PROJECT SPEC		PROJ. NO.	455001
APPL. SPEC		COLOR NO.	A-132
REV. SPEC		REV. NO.	AN
MATERIAL		SEE TABLE	
DATE		12/10/02	
NAME		[Signature]	
TITLE		16 WAY FEMALE ASSEMBLY	
PROJECT		APEX 150 16-W K36	
STATE		SERIAL RELEASED	
PART NUMBER		K36002	
SCALE		1:1	
DRAWN UNDER PER. CONTROL		NO MODIFICATION ALLOWED OUTSIDE	