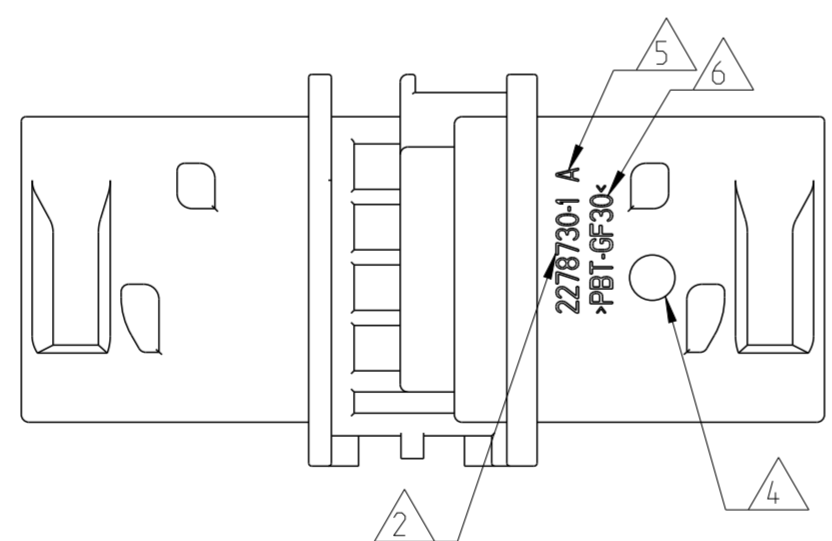
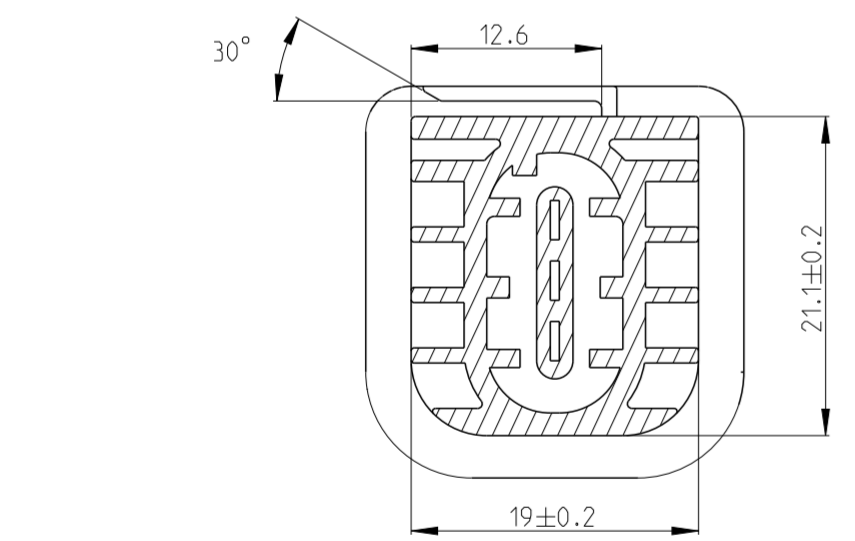
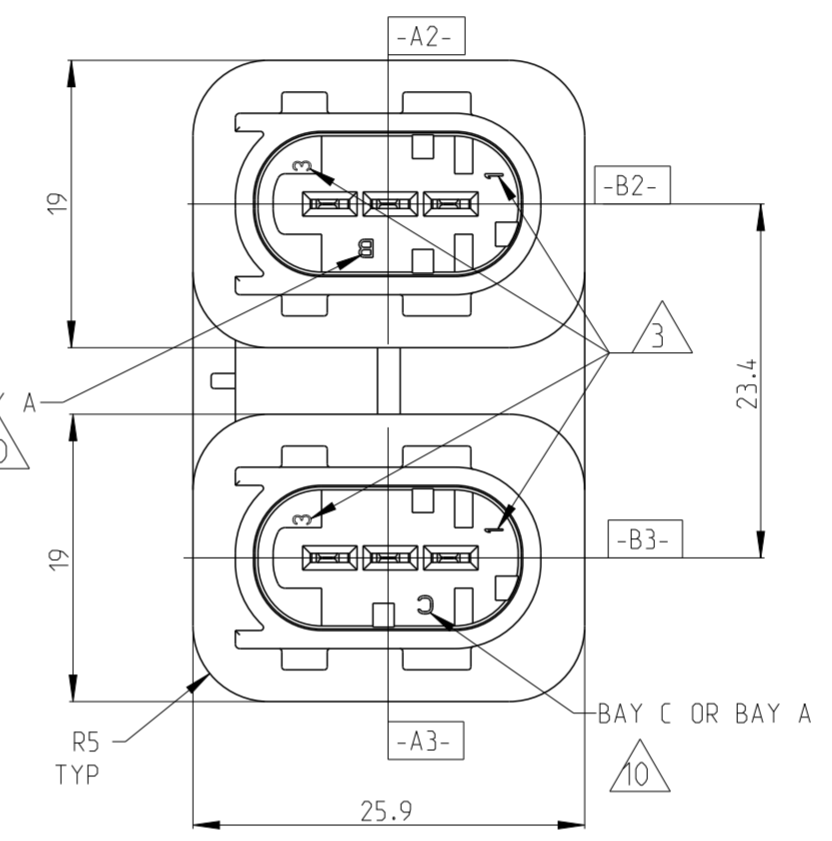
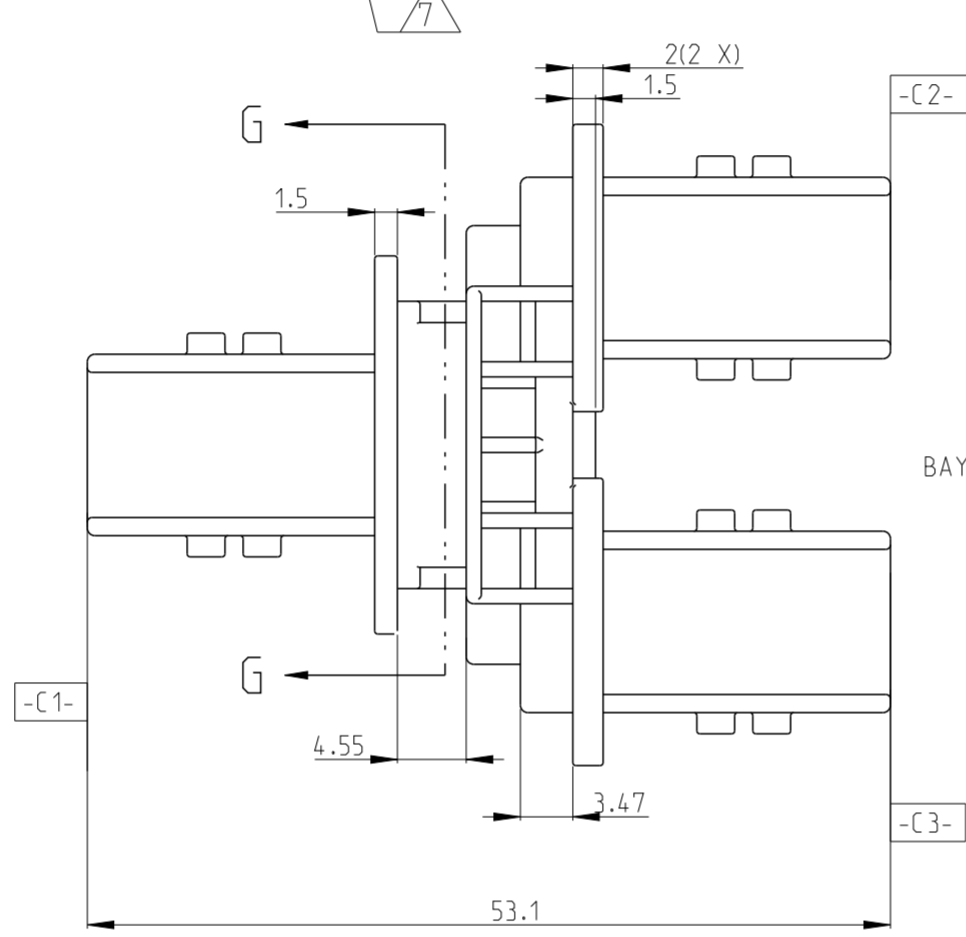
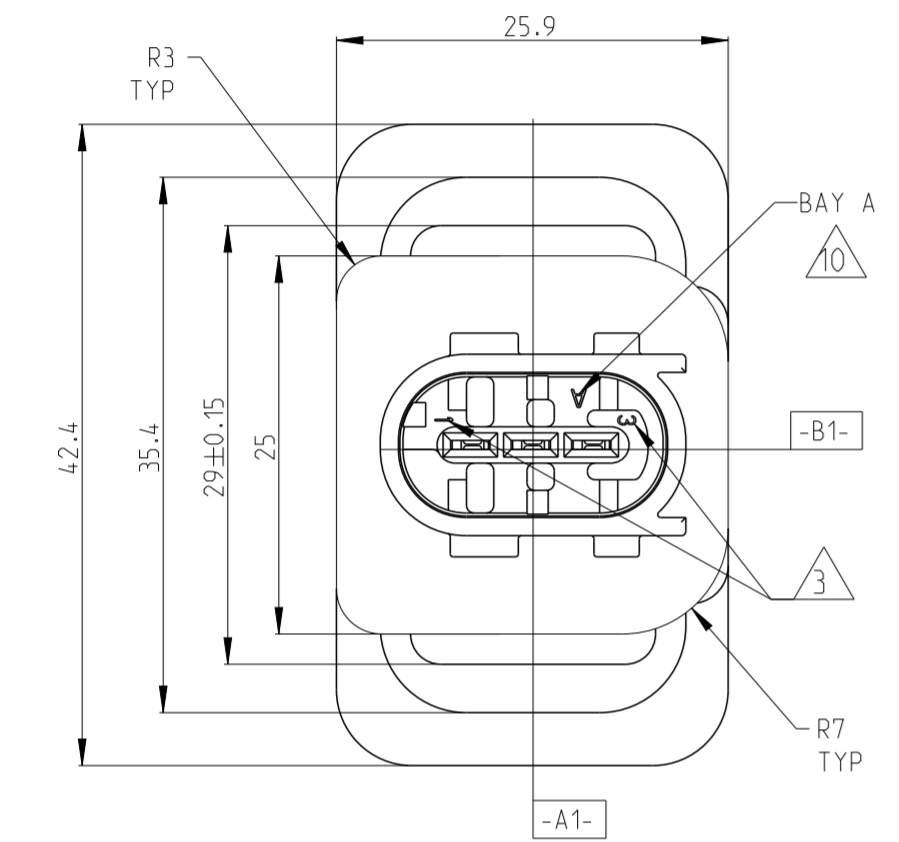
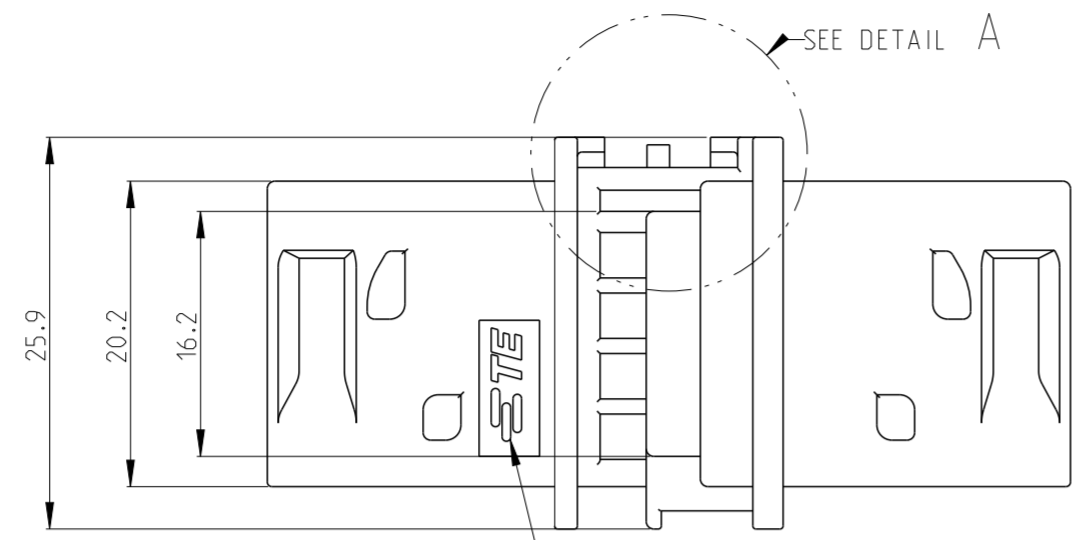
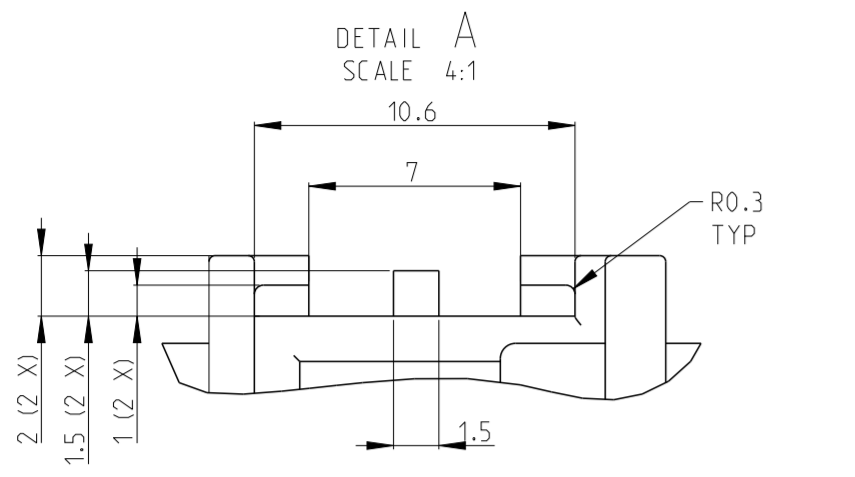
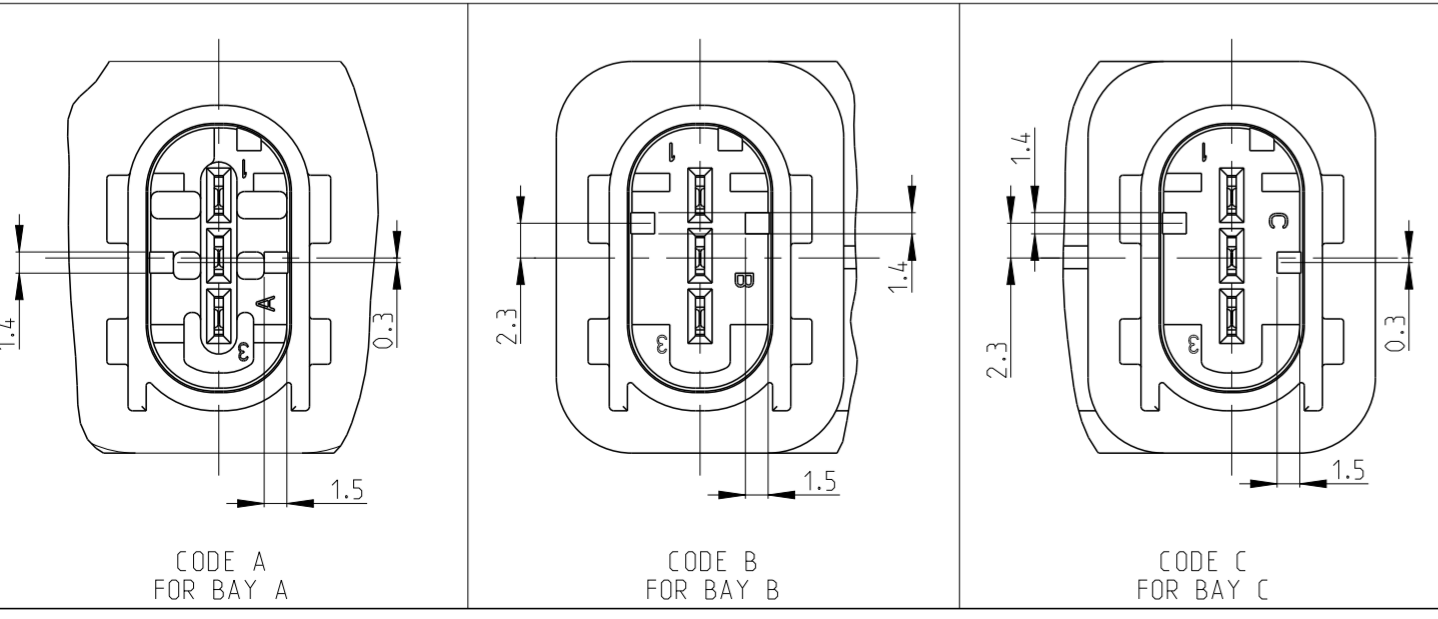


THIS DRAWING IS UNPUBLISHED. RELEASED FOR PUBLICATION 20
 © COPYRIGHT 20 BY - ALL RIGHTS RESERVED.

REVISIONS					
P	LTR	DESCRIPTION	DATE	DWN	APVD
A		RELEASED	19FEB2016	H.J	I.Y
A1		ECR-17-015549	20OCT2017	C.W	E.J



- 1 MATERIAL: HOUSING: PBT-GF30;
PIN: CuSn4
材料: 塑胶本体: PBT-GF30;
端子: CuSn4
- 2 FINISH: MATING AREA: Au OVER Ni
端子接触区表面处理: 底镀镍表面镀金
- 3 TE P/N.
TE料号
- 4 PRODUCTION DATE WITH DATE CLOCK
产品生产日期用日期章表示
- 5 Version number
零件版本号
- 6 MOULD CAVITY NUMBER
模穴号
- 7 MATERIAL IDENTIFICATION
塑胶原材料标识
- 8 TE LOGO
TE公司标识
- 9 MATING WITH PLUG HOUSING SMOOTHLY.
PLUG HOUSING PRODUCT NUMBER: 1418448
产品需与线端连接器(料号1418448)同型号编码产品配对使用
- 10 BAY MARK
产品型号编码
- 11 INTERFACE SPEC ACCORDING TO 114-18743-1
产品接口规范请参考114-18743-1



A1

1	-	PBT-GF30	3P Y CONNECTOR HOUSING CODE A-A-A	2
-	1	PBT-GF30	3P Y CONNECTOR HOUSING CODE A-B-C	
3	3	CuSn4	Y CONTACT	1
2278730-2	2278730-1	MATERIAL	DESCRIPTION	ITEM
QTY PER ASSY			PART LIST	

THIS DRAWING IS A CONTROLLED DOCUMENT.

DWN	H.JI	18FEB2016
CHK	E.JIANG	26FEB2016
APVD	I.YIN	10MAR2016
PRODUCT SPEC	108-101414	
APPLICATION SPEC	-	
WEIGHT	-	
CUSTOMER DRAWING	SCALE	1:1

TE Connectivity

3P CAN CONNECTOR, RECEPTACLE
HDSCS
3位控制器局域网网络板端连接器

SIZE: A2, CAGE CODE: -, DRAWING NO: G-2278730, RESTRICTED TO: -

SHEET 1 OF 1, REV A1