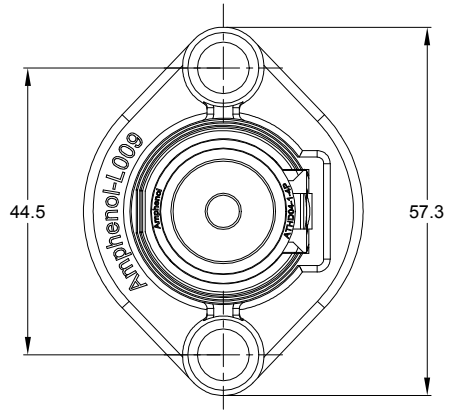
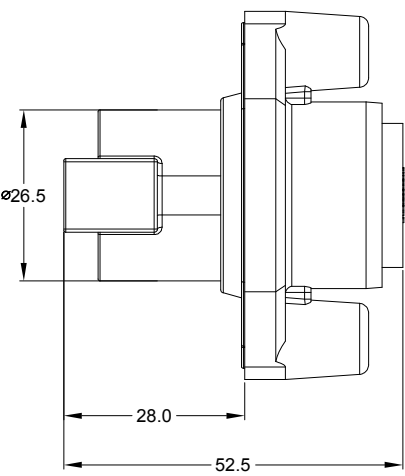
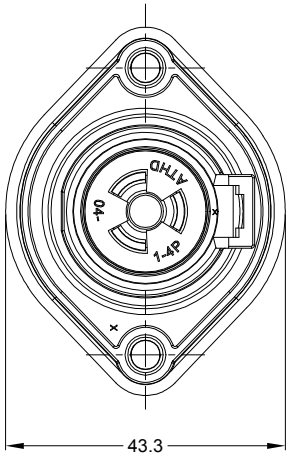
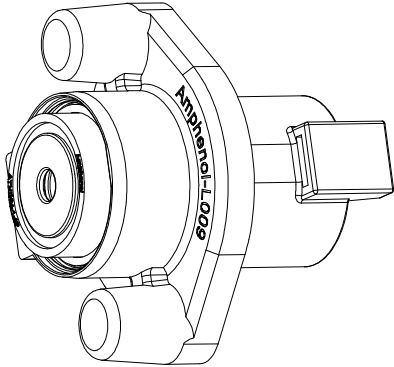


REVISIONS					
REV	ECO	DESCRIPTION	DATE	BY	APPR
A1	-	RELEASED DRAWING	Feb-14-19	White	Tommy

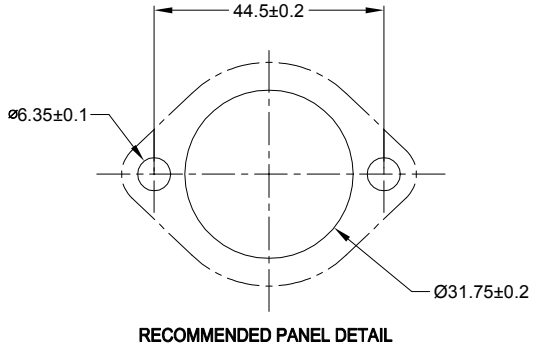


NOTES: UNLESS OTHERWISE SPECIFIED

1. MATERIAL:
HOUSING: THERMOPLASTIC
SEAL: SILICONE RUBBER
2. SPECIFICATIONS:
 - 2.1 CURRENT RATING: 100 AMPS
 - 2.2 VOLTAGE RATING: 1000 V AC/DC
 - 2.3 OPERATING TEMPERATURE: -55°C TO +125°C
 - 2.4 DIELECTRIC WITHSTANDING VOLTAGE: LESS THAN 2 MILLIAMPS CURRENT LEAKAGE @ 3000 VOLTS AC.
 - 2.5 INSULATION RESISTANCE: 1000 MEGOHMS MIN @ 25°C.
 - 2.6 MOISTURE RESISTANCE: FLANGE SEAL TO BE SPLASH PROOF ONLY
 - 2.7 MATING CYCLE DURABILITY: 100 CYCLES
 - 2.8 RoHS COMPLIANT

3. SUITABLE CONTACTS: 4# CONTACTS
4. ALL DIMENSIONS ARE FOR REFERENCE USE ONLY.
5. CONTACT SIZE AND REAR SEAL WIRE RANGE:

CONTACT SIZE	MIN. INSUL O.D.	MAX. INSUL O.D.	TYPICAL WIRE RANGE
4	7.1 mm	7.4 mm	6 AWG



RECOMMENDED PANEL DETAIL

SEE PART NUMBER CHART		DESCRIPTION		ITEM
PART NUMBER		DESCRIPTION		ITEM
MATERIALS LIST				
QUANTITY UNLESS OTHERWISE SPECIFIED 1) All dimensions are in metric(mm). 2) Tolerances are as follows: 1 PL DEC ±0.30 Fractions ±1/64 2 PL DEC ±0.15 Angles ±1° 3 PL DEC ±0.08 3) Note reference =		SIGNATURES DATE DRAWN: White Feb-14-19 CHECKED: Tod Feb-14-19 ENGINEER: APPROVAL: Tommy Feb-14-19		
MATERIAL SPECIFICATIONS:		CUSTOMER: THIS DRAWING IS SUPPLIED FOR INFORMATION ONLY. DESIGN FEATURES, SPECIFICATIONS AND PERFORMANCE DATA SHOWN HEREON ARE THE PROPERTY OF THE AMPHENOL CORPORATION. NO RIGHTS OF REPRODUCTION ARE IMPLIED. ALL DIMENSIONS ARE SUBJECT TO NORMAL MANUFACTURING VARIATIONS.		
PROCESS SPECIFICATIONS:		SIZE TYPE DWG NO. REVISION B C- ATHD04-14P-L009 A1		
NEXT ASSY:		SCALE: NONE SHEET 1 of 1		

TITLE: AT SERIES RECEPTACLE FLANGE MOUNT, 1 POS. DWG NO.: ATHD04-14P-L009 REV: A1 SH: 1 OF: 1