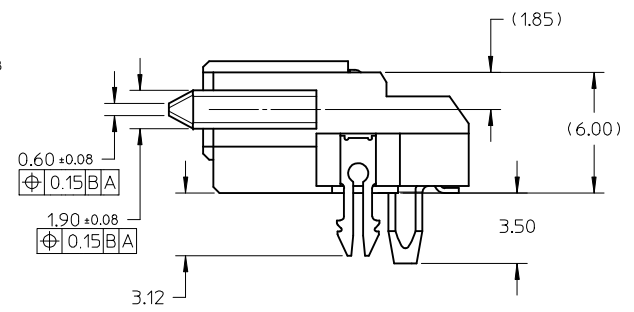


NOTES:

1. MATERIAL
HOUSING: LIQUID CRYSTALLINE POLYMER,
GLASS FILLED, UL 94V-0, COLOR: BLACK
TERMINAL: COPPER ALLOY
FORKLOCK: COPPER ALLOY
2. FINISHES:
TERMINAL CONTACT: 0.76µm MIN. SELECTIVE GOLD OVER 1.27µm MIN. NICKEL UNDERPLATE
TERMINAL SOLDER TAIL: 2.54µm MIN. TIN OVER 1.27µm MIN. NICKEL UNDERPLATE
FORKLOCK: 2.54µm MIN. TIN OVER 1.27µm MIN. NICKEL UNDERPLATE
3. PRODUCT SPECIFICATION: PS-78776-001
4. PACKAGING SPECIFICATION : PK-78776-001
5. MOLEX LOGO, SERIES NUMBER, CAVITY ID AND DATE CODE LOCATED APPROXIMATELY AS SHOWN
6. NON FUNCTIONAL CORE HOLE MAY VARY
7. PRODUCT IS COMPLIANT TO RoHS DIRECTIVE WITH THE FOLLOWING BANNED SUBSTANCES - LEAD, MERCURY, CADMIUM, HEXAVALENT CHROMIUM, POLYBROMINATED BIPHENYLS AND POLYBROMINATED DIPHENYL ETHERS.
8. REFER TO AS-78776-001 FOR PCB ROUTING RECOMMENDATIONS.



ADD COPLAN & NOTE 8 EC NO: S2015-0021 DRWN:SKANG 2014/07/07 CHKD:BOXKOK 2014/07/18 APPR:SHLENI 2014/07/18	QUALITY SYMBOLS F=0 E=0 P=0	GENERAL TOLERANCES (UNLESS SPECIFIED)		DIMENSION STYLE MM ONLY		SCALE NTS	DESIGN UNITS METRIC	THIRD ANGLE PROJECTION	
		4 PLACES ± --- ± --- 3 PLACES ± --- ± --- 2 PLACES ± 0.20 ± --- 1 PLACE ± --- ± --- 0 PLACE ± ±	mm INCH ± --- ± --- ± --- ± --- ± --- ± --- ± ±	DRAWN BY CGOH	DATE 2012/06/25	TITLE SAS/ PCIE RECEPTACLE, RIGHT-ANGLE SMT, 4.15MM HEIGHT			
		ANGULAR ± 3 °		CHECKED BY GMENARLY	DATE 2012/12/05	molex			
		DRAFT WHERE APPLICABLE MUST REMAIN WITHIN DIMENSIONS		APPROVED BY BOKOK	DATE 2012/12/05				

10 9 8 7 6 5 4 3 2 1

F

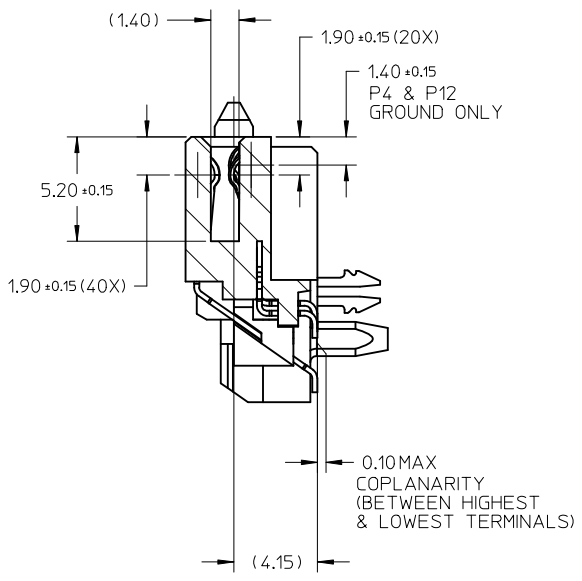
E

D

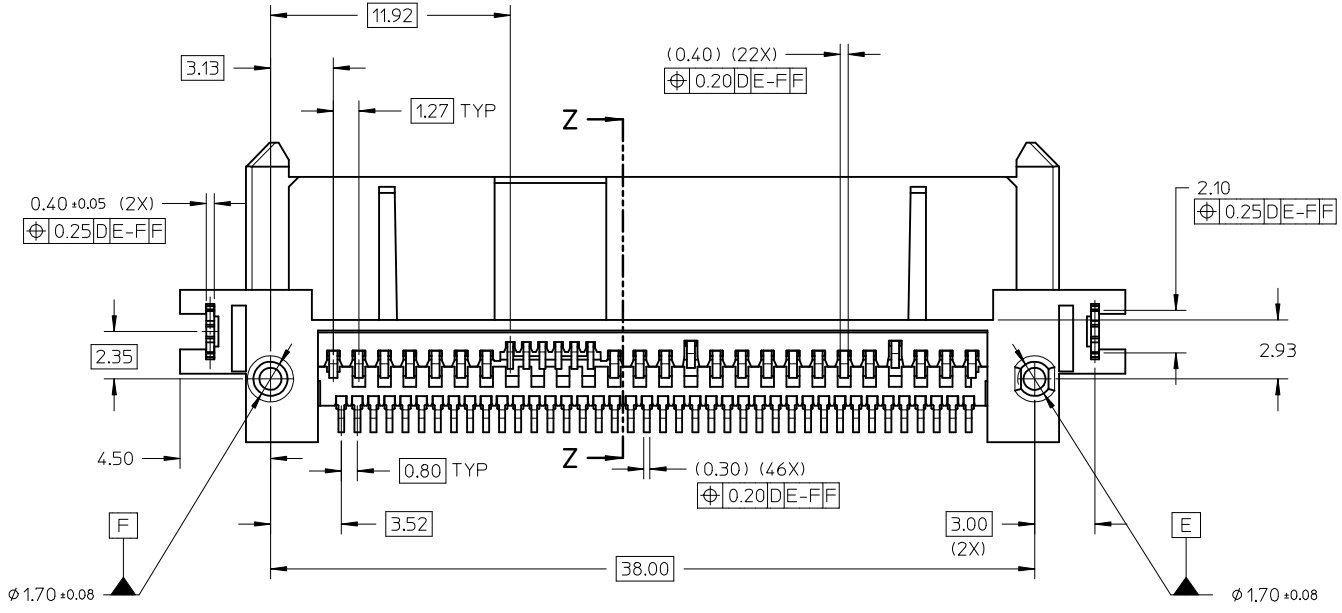
C

B

A

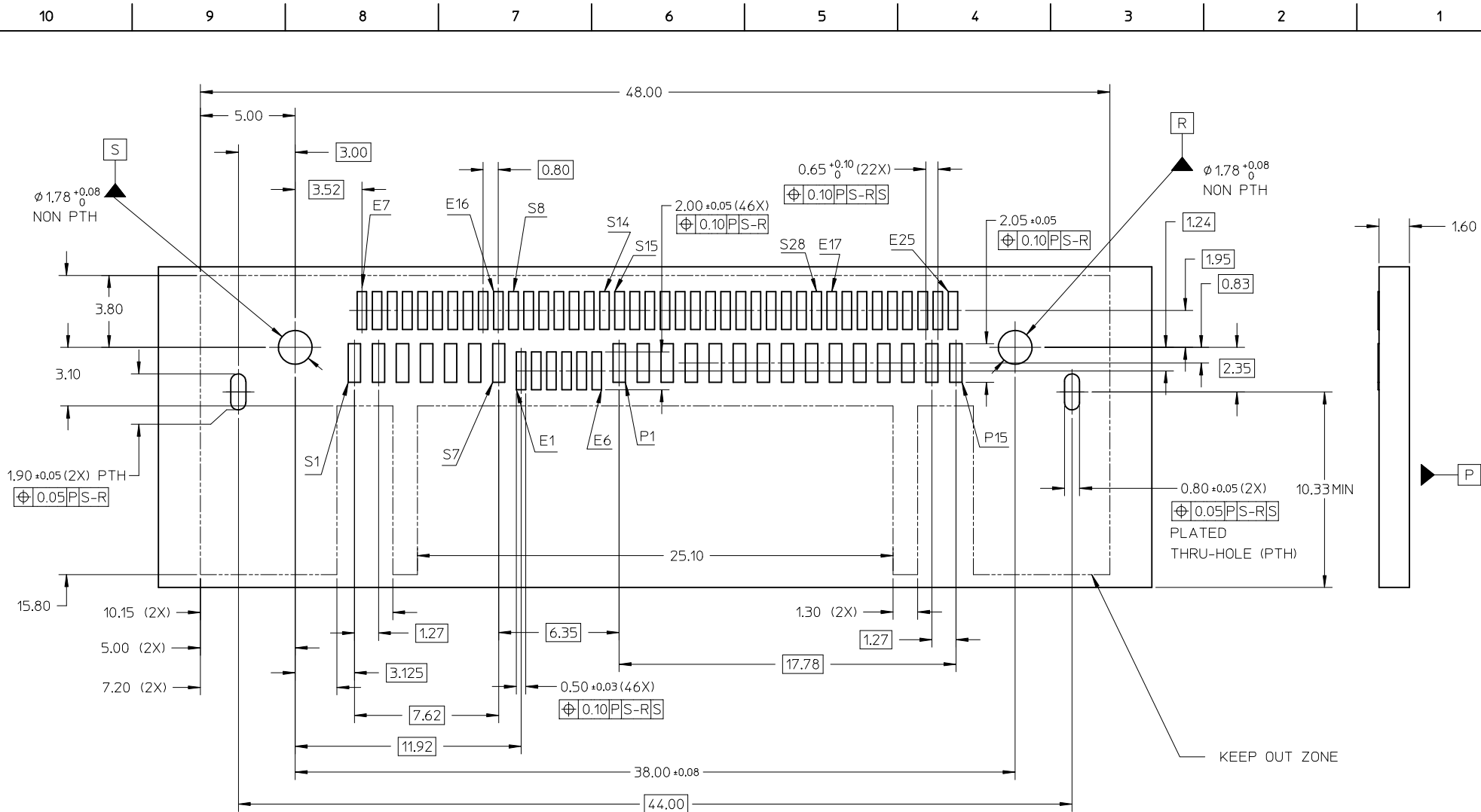


SECTION Z-Z



ADD COPLAN & NOTE 8 EC NO: S2015-0021 DRWN:SKANG 2014/07/07 CH'KD:BOKOK 2014/07/18 APPR:SHLENI 2014/07/18	DESCRIPTION REV	QUALITY SYMBOLS	GENERAL TOLERANCES (UNLESS SPECIFIED)		DIMENSION STYLE MM ONLY		SCALE NTS	DESIGN UNITS METRIC	THIRD ANGLE PROJECTION		
		$F_A = 0$ $F_G = 0$ $F_P = 0$	mm INCH 4 PLACES ± --- ± --- 3 PLACES ± --- ± --- 2 PLACES ± 0.20 ± --- 1 PLACE ± --- ± --- 0 PLACE ± ±	DRAWN BY CGOH	DATE 2012/06/25	TITLE		SAS/ PCIE RECEPTACLE, RIGHT-ANGLE SMT, 4.15MM HEIGHT			
		DRAFT WHERE APPLICABLE MUST REMAIN WITHIN DIMENSIONS		CHECKED BY GMENARLY	DATE 2012/12/05	MATERIAL NO. 78776-0001		DOCUMENT NO. SD-78776-001		SHEET NO. 2 OF 3	

9 8 7 6 5 4 3 2 1



RECOMMENDED PCB LAYOUT

ADD COPLAN & NOTE 8 EC NO: SZ015-0021 DRWN:SKANG 2014/07/07 CHKD:BOKOK 2014/07/18 APPR:SHLENI 2014/07/18	QUALITY SYMBOLS $\nabla = 0$ $\nabla = 0$ $\nabla = 0$	GENERAL TOLERANCES (UNLESS SPECIFIED) <table border="1"> <thead> <tr> <th></th> <th>mm</th> <th>INCH</th> </tr> </thead> <tbody> <tr> <td>4 PLACES</td> <td>± ---</td> <td>± ---</td> </tr> <tr> <td>3 PLACES</td> <td>± ---</td> <td>± ---</td> </tr> <tr> <td>2 PLACES</td> <td>± 0.20</td> <td>± ---</td> </tr> <tr> <td>1 PLACE</td> <td>± ---</td> <td>± ---</td> </tr> <tr> <td>0 PLACE</td> <td>±</td> <td>±</td> </tr> </tbody> </table>		mm	INCH	4 PLACES	± ---	± ---	3 PLACES	± ---	± ---	2 PLACES	± 0.20	± ---	1 PLACE	± ---	± ---	0 PLACE	±	±	DIMENSION STYLE MM ONLY DRAWN BY: CGOH DATE: 2012/06/25 CHECKED BY: GMENARLY DATE: 2012/12/05 APPROVED BY: BOKOK DATE: 2012/12/05	SCALE NTS TITLE SAS/ PCIE RECEPTACLE, RIGHT-ANGLE SMT, 4.15MM HEIGHT	DESIGN UNITS METRIC	THIRD ANGLE PROJECTION
		mm	INCH																					
	4 PLACES	± ---	± ---																					
	3 PLACES	± ---	± ---																					
2 PLACES	± 0.20	± ---																						
1 PLACE	± ---	± ---																						
0 PLACE	±	±																						
MATERIAL NO. 78776-0001	DOCUMENT NO. SD-78776-001	SHEET NO. 3 OF 3																						
DRAFT WHERE APPLICABLE MUST REMAIN WITHIN DIMENSIONS			THIS DRAWING CONTAINS INFORMATION THAT IS PROPRIETARY TO MOLEX INCORPORATED AND SHOULD NOT BE USED WITHOUT WRITTEN PERMISSION																					
ANGULAR ± 3°			molex																					