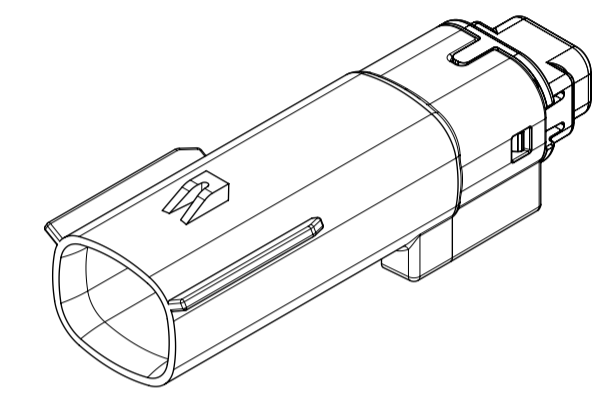


TABLE OF CONTENTS	
SHEET NO.	SHEET DESCRIPTION
1	NOTES AND BOM
2	CONFIGURATIONS
3-4	KEY CONFIGURATIONS
5	BLADE SEALED ASSEMBLY
6	SYSTEM PACKAGING
7	BACKSHELL NOTES
8	BACKSHELL
9	BACKSHELL CONFIGURATIONS

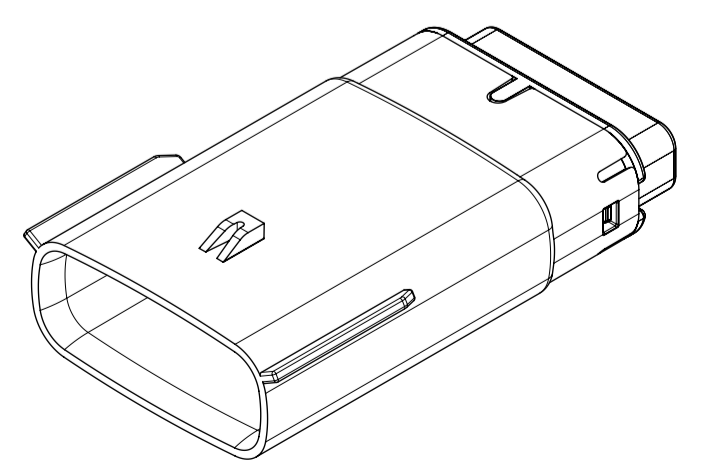
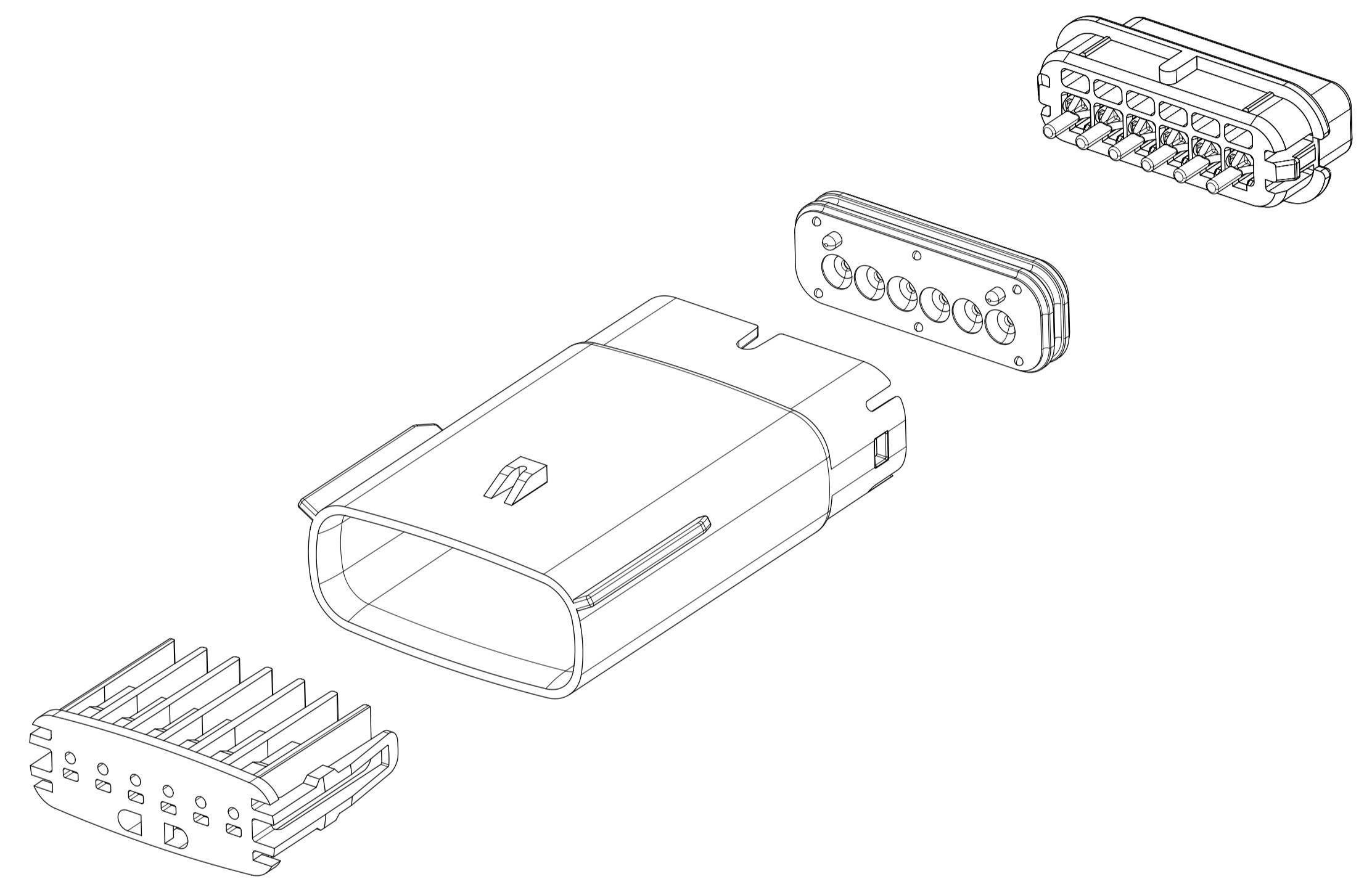
NOTES: VALID UNLESS OTHERWISE SPECIFIED

1. GENERAL:
- a. APPLICATION SPECIFICATION SEE: AS-33472-100
- CONTAINS: PRODUCT INTRODUCTION, PRODUCT SUMMARY, CONNECTOR ASSEMBLY, PACKAGING INFORMATION, CONNECTOR MATING, SERVICE INSTRUCTIONS, ELECTRICAL CONTINUITY CHECKING, CRIMPING, AND TROUBLESHOOTING.
 - DESIGNED TO MATE WITH RECEPTACLE SEALED ASSEMBLY AS SPECIFIED IN THE MATING CONNECTOR DRAWINGS CHART.
 - *DENOTES DRAWINGS THAT CAN BE ACCESSED AT <http://ewcap.uscarteams.org/>
 - ASSEMBLY SHIPPED WITH PLR IN PRE-LOCK POSITION (SEE PLR PRE-LOCK VIEW SHEET 5).
- b. PRODUCT SPECIFICATION SEE:
- STANDARD CONFIGURATION: PS-33471-000
 - UL V0 CONFIGURATION: PS-160105-0001
 - CONTAINS: PRODUCT INTRODUCTION, PRODUCT SUMMARY, RATINGS (CURRENT, TEMPERATURE, SEALING, AND FLAMMABILITY), TERMINALS, WIRE DIAMETER RANGE, PRODUCT VALIDATION, AND PRODUCT DEVIATIONS.
- c. PACKAGING SPECIFICATION PER MOLEX DRAWING: PK-31300-635 (PK-33471-000 FOR 1X5)
- d. PARTS MUST BE IN COMPLIANCE TO MOLEX CHEMICAL SUBSTANCES FOR PRODUCTS AND PACKAGING SPECIFICATION: QEHS-699000-300
- e. DATA MUST BE SUBMITTED UNDER THE MOLEX PART NUMBER TO IMDS (COMPANY ID#13255)
2. DESIGN - MATERIALS:
- a. FOR BILL OF MATERIALS SEE:
- STANDARD CONFIGURATION: SD-33481-0002
 - UL V0 CONFIGURATION: SD-160106-0002
3. DESIGN - GEOMETRY:
- a. THE 3-D CAD DATA IS BASIC (WITHOUT TOLERANCE) AND MASTER FOR THIS PART WITH THE EXCEPTION OF UNDERLINED DIMENSIONS. DIMENSIONAL INFORMATION NOT SHOWN ON THIS DRAWING IS DEFINED BY THE DATA FILE AT ITS LATEST REVISION.
- b. GEOMETRIC DIMENSIONS AND TOLERANCES PER ASME Y14.5M-2009
- c. EDGES AND UNDIMENSIONED DETAILS PER ISO13715
- d. CORNERS SHOWN AS SHARP TO BE R 0.2 MAX.
- e. LETTERING SHALL BE 0.15 MAX RAISED IN 0.25 MAX RECESS PAD. THIS INCLUDES RECYCLING CODE, CAVITY ID, VENDOR IDENTIFICATION, AND CUSTOMER MATERIAL NUMBER.
- f. VISUAL DEFECTS SHALL MEET COSMETIC STANDARD PS-45499-002 (Class B).
- g. LASER MARKING:
1. PART NUMBER
 2. DAY OF THE YEAR
 3. SHIFT
 4. YEAR
- FOR ADDITIONAL INFORMATION SEE SECTION 5 UNDER PROCEDURES IN ES-34735-008.

MATING CONNECTOR DRAWINGS	
DESCRIPTION	MOLEX INLINE
1X2	SD-33471-0001
1X6	SD-33471-0001



1X2

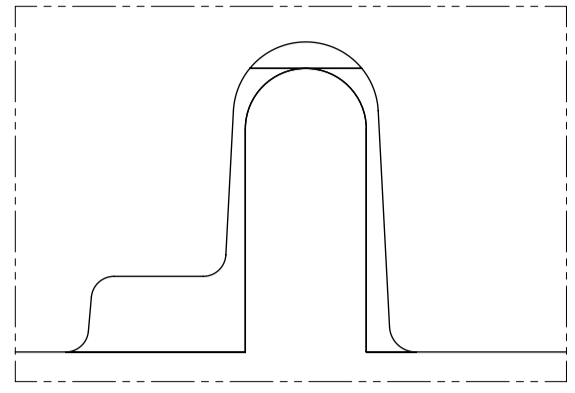


1X6

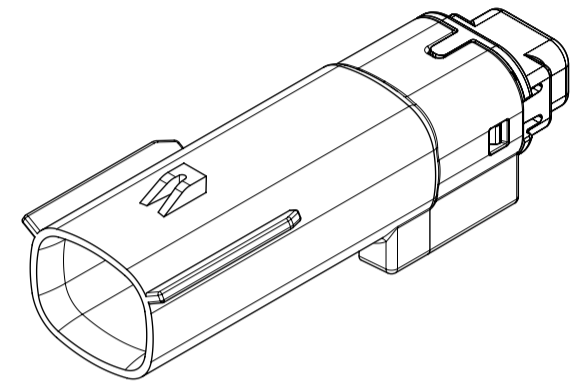
INSPECTION NUMBER LOG	
LAST NUMBER: 9	ADDED:
REMOVED:	REV
A1	NX REMASTERING , CHANGE PS DRAWING NUMBER FROM PS-160105-0001 TO PS-160074-0001 IN NOTES 1.b
A	MINOR GEOMETRY CHANGE FOR UL V0
2	UPDATED VIEWSETS
1	INITIAL RELEASE
REV	REV DESCRIPTION

SYMBOLS = 0 = 0 = 0 = 0 = 0 = 0 = 0 = 0 = 0	THIS DRAWING CONTAINS INFORMATION THAT IS PROPRIETARY TO MOLEX ELECTRONIC TECHNOLOGIES, LLC AND SHOULD NOT BE USED WITHOUT WRITTEN PERMISSION DIMENSION UNITS: MM ONLY SCALE: 1.5:1	CURRENT REV DESC: EC NO: 602373 DRWN: DSHETTY01 2018/05/25 CHK'D: MVANSLAMBROU 2018/10/04 APPR: MVANSLAMBROU 2018/10/04 INITIAL REVISION: DRWN: APROFFITT 2015/07/21 APPR: KDEKOSKI 2016/06/14	 MX150 BLADE SINGLE ROW SEALED ASSY MAT SEAL PRODUCT CUSTOMER DRAWING	
	GENERAL TOLERANCES (UNLESS SPECIFIED) ANGULAR TOL ± 1.0° 4 PLACES ± 3 PLACES ± 2 PLACES ± 0.1 1 PLACE ± 0.2 0 PLACES ±	DRAFT WHERE APPLICABLE MUST REMAIN WITHIN DIMENSIONS THIRD ANGLE PROJECTION DRAWING: A1-SIZE SERIES: 33481	DOCUMENT NUMBER: SD-33481-0001 DOC TYPE: PSD DOC PART: 001 REVISION: A1	MATERIAL NUMBER: SEE NOTE 2a. CUSTOMER: GENERAL MARKET SHEET NUMBER: 1 OF 9
	DOCUMENT STATUS: P1 RELEASE DATE: 2018/10/04 15:02:02			
	18 17 16 15 14 13 12 11 10 9 8 7 6 5 4 3 2 1			

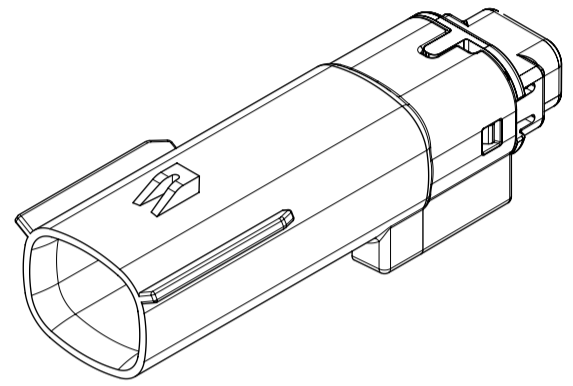
SHEET DESCRIPTION
CONFIGURATIONS



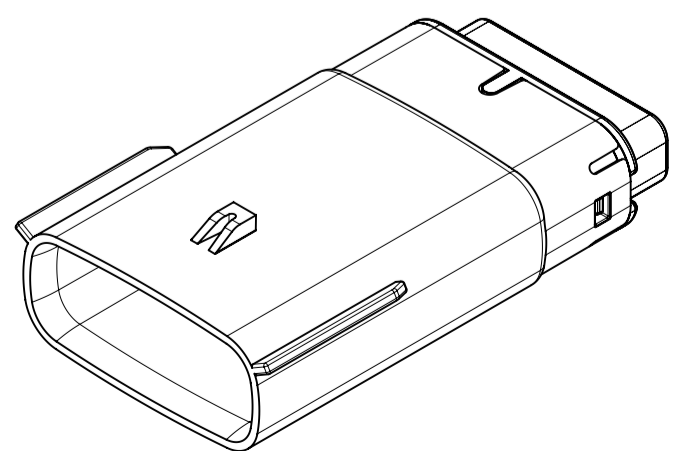
UL V0 UNIQUE FEATURE
Partial1
SCALE 10:1



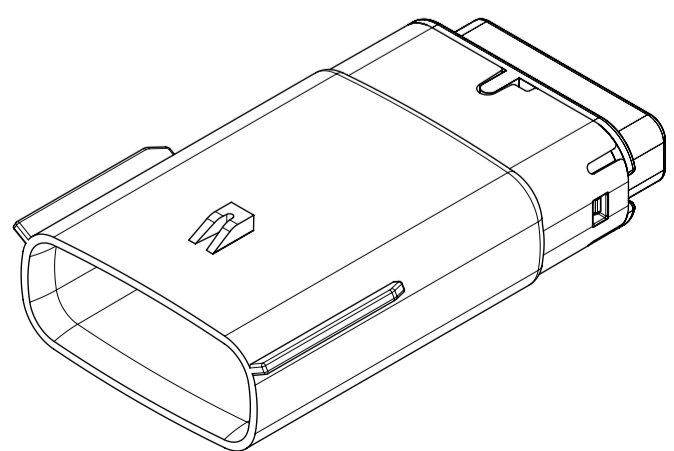
1x2 - STD



1X2 - UL V0*



1x6 - STD

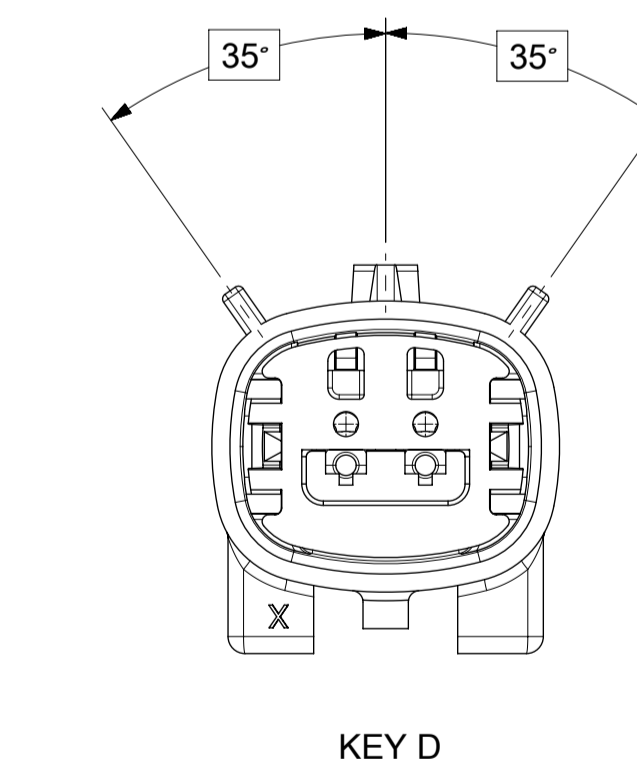
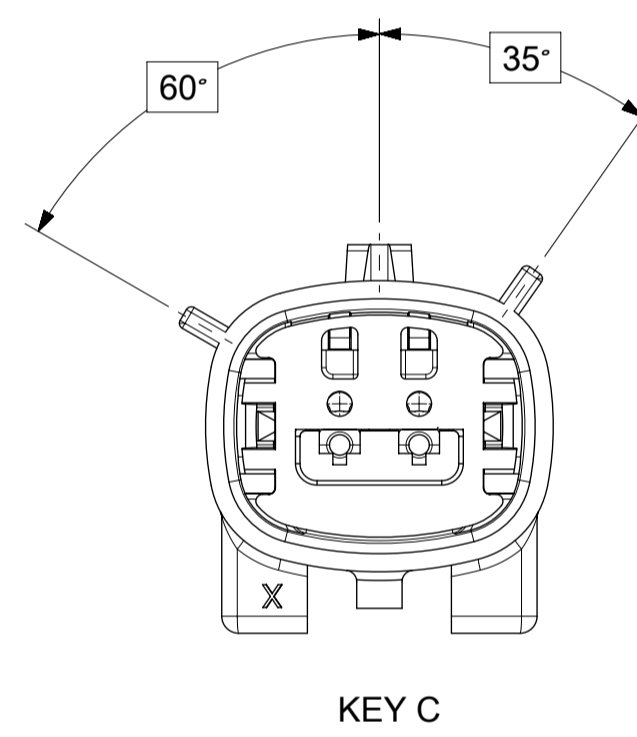
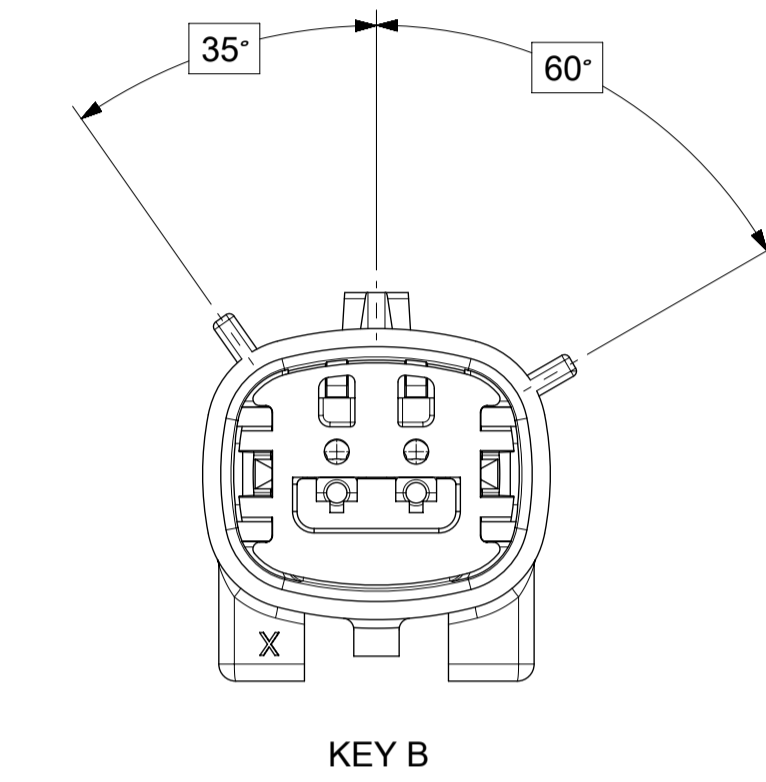
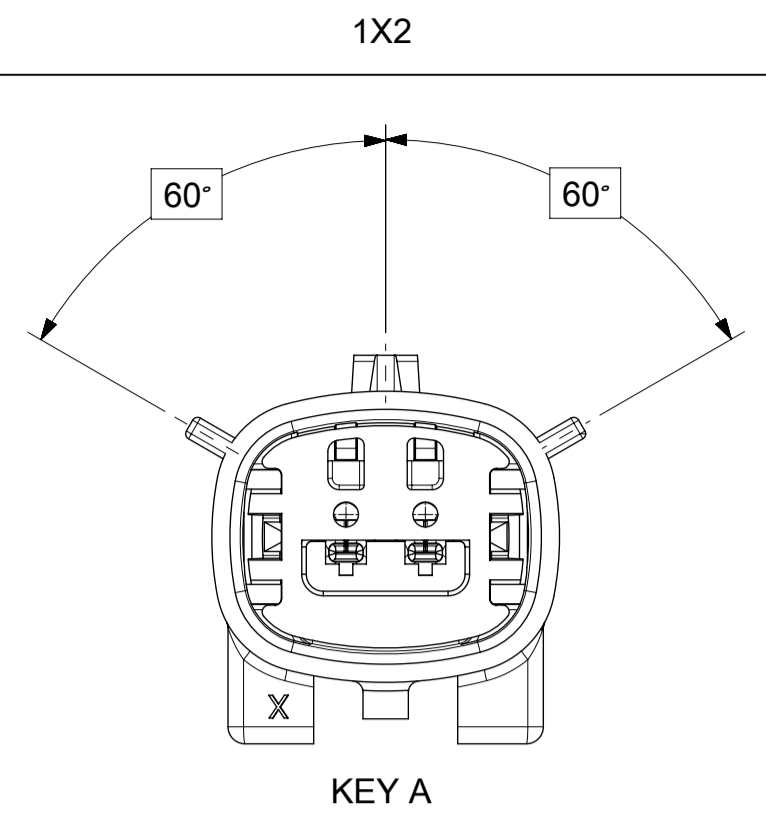


1x6 - UL V0*

* MINOR GEOMETRY DIFFERENCE THAN STANDARD CONFIGURATION.
SEE NOTES 1 & 2 FOR MORE INFORMATION

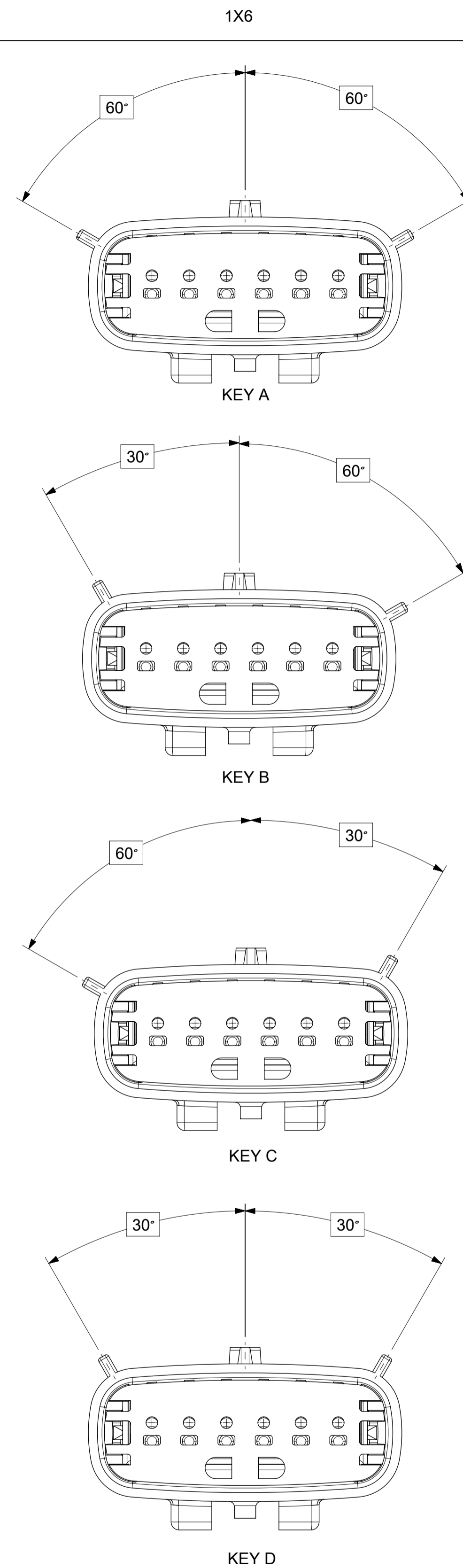
SYMBOLS = 0 = 0 = 0 = 0 = 0 = 0 = 0 = 0 = 0 = 0	THIS DRAWING CONTAINS INFORMATION THAT IS PROPRIETARY TO MOLEX ELECTRONIC TECHNOLOGIES, LLC AND SHOULD NOT BE USED WITHOUT WRITTEN PERMISSION		CURRENT REV DESC:		 MX150 BLADE SINGLE ROW SEALED ASSY MAT SEAL		
	DIMENSION UNITS	SCALE	EC NO: 602373				
	MM ONLY	1.5:1	DRWN: DSHETTY01 2018/05/25		SD-33481-0001	PSD	001
	GENERAL TOLERANCES (UNLESS SPECIFIED)		CHK'D: MVANSLAMBROU 2018/10/04		REVISION	A1	
	ANGULAR TOL ± 1.0°		APPR: MVANSLAMBROU 2018/10/04		PRODUCT CUSTOMER DRAWING		
	4 PLACES ±		INITIAL REVISION:		MATERIAL NUMBER		
	3 PLACES ±		DRWN: APROFFITT 2015/07/21		CUSTOMER		
	2 PLACES ± 0.1		APPR: KDEKOSKI 2016/06/14		SHEET NUMBER		
	1 PLACE ± 0.2		THIRD ANGLE PROJECTION		SEE NOTE 2a. GENERAL MARKET		
	0 PLACES ±		DRAWING		2 OF 9		
DRAFT WHERE APPLICABLE MUST REMAIN WITHIN DIMENSIONS		SERIES		A1-SIZE 33481			

SHEET DESCRIPTION
KEY CONFIGURATIONS



SYMBOLS = 0 = 0 = 0 = 0 = 0 = 0 = 0 = 0 = 0 = 0	THIS DRAWING CONTAINS INFORMATION THAT IS PROPRIETARY TO MOLEX ELECTRONIC TECHNOLOGIES, LLC AND SHOULD NOT BE USED WITHOUT WRITTEN PERMISSION		CURRENT REV DESC:		 MX150 BLADE SINGLE ROW SEALED ASSY MAT SEAL			
	DIMENSION UNITS	SCALE	EC NO: 602373					DOCUMENT NUMBER
	MM ONLY	3:1	DRWN: DSHETTY01 2018/05/25		SD-33481-0001	PSD	001	A1
	GENERAL TOLERANCES (UNLESS SPECIFIED)		CHK'D: MVANSLAMBROU 2018/10/04		PRODUCT CUSTOMER DRAWING			
	ANGULAR TOL ± 1.0°		APPR: MVANSLAMBROU 2018/10/04		INITIAL REVISION:			
	4 PLACES ±		DRWN: APROFFITT 2015/07/21		MATERIAL NUMBER			
	3 PLACES ±		APPR: KDEKOSKI 2016/06/14		CUSTOMER			
	2 PLACES ± 0.1		DRAWING		SHEET NUMBER			
	1 PLACE ± 0.2		SERIES		3 OF 9			
	0 PLACES ±		THIRD ANGLE PROJECTION		SEE NOTE 2a. GENERAL MARKET			
DRAFT WHERE APPLICABLE MUST REMAIN WITHIN DIMENSIONS		DRAWING		3 OF 9				
		A1-SIZE		3 OF 9				
		33481		3 OF 9				

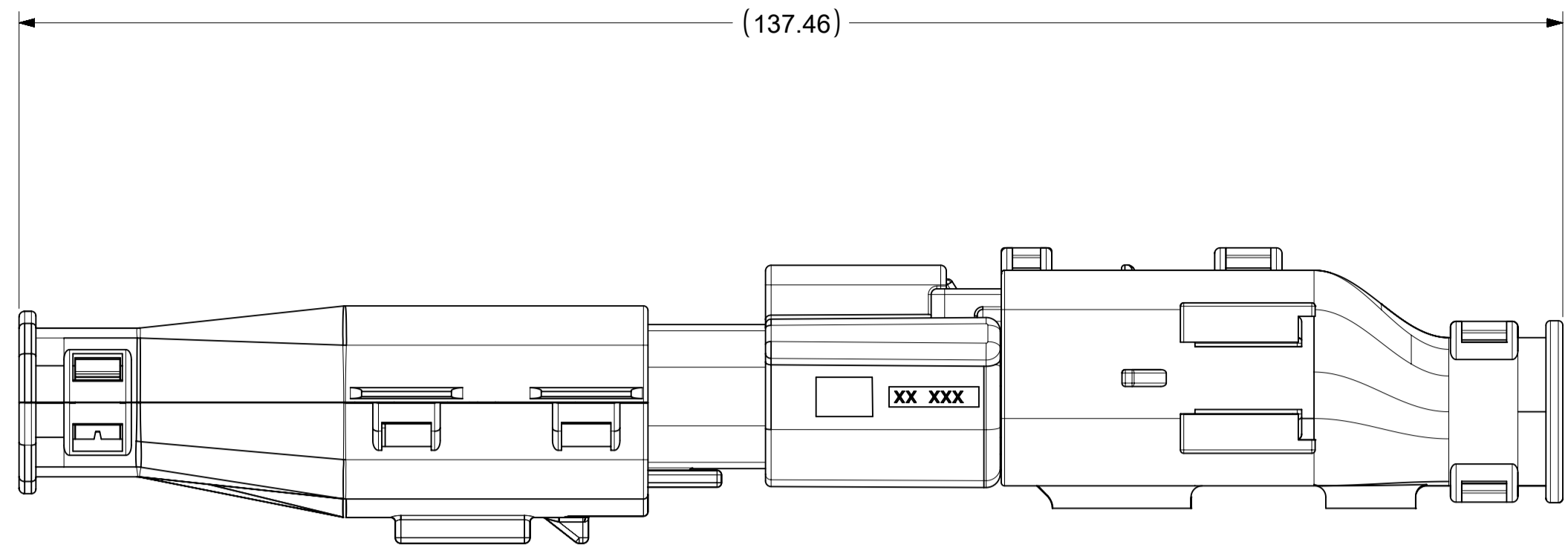
SHEET DESCRIPTION
KEY CONFIGURATIONS CONT.



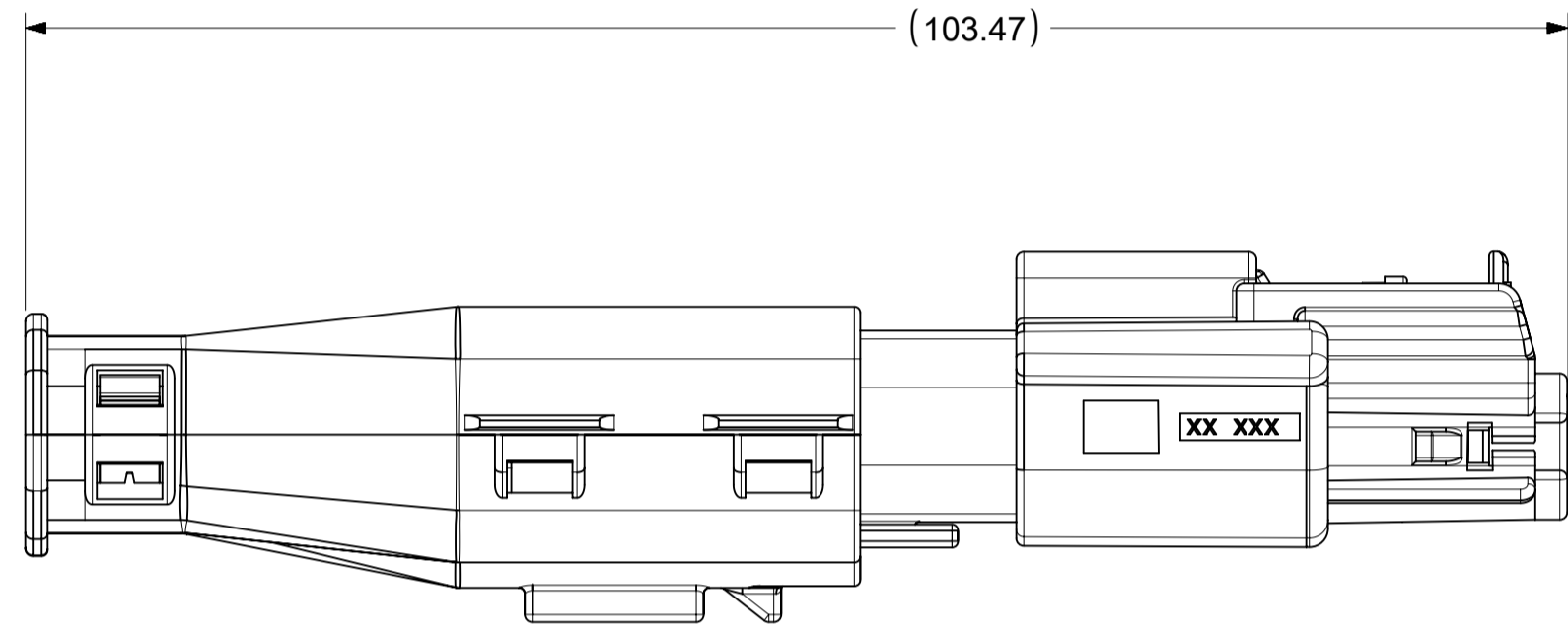
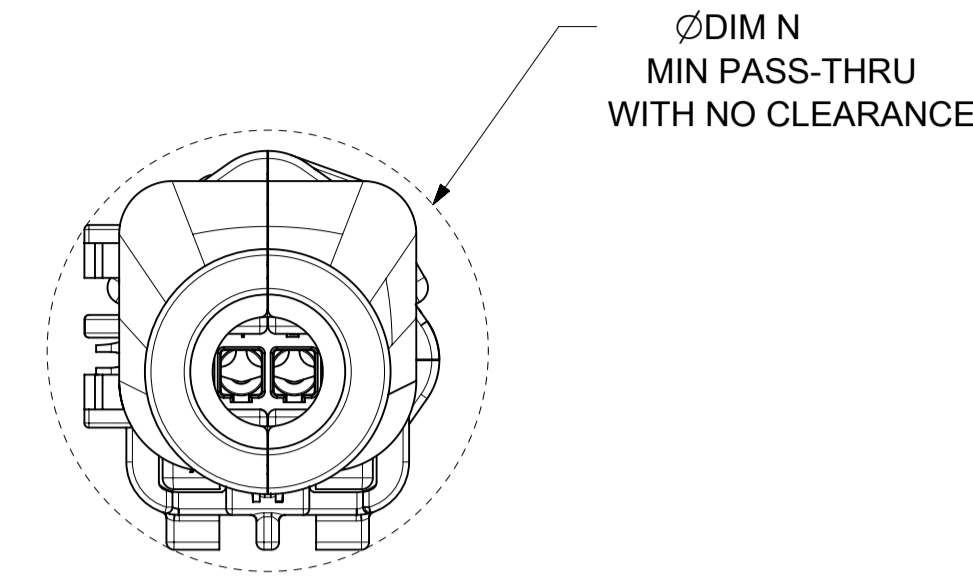
SYMBOLS = 0 = 0 = 0 = 0 = 0 = 0 = 0	THIS DRAWING CONTAINS INFORMATION THAT IS PROPRIETARY TO MOLEX ELECTRONIC TECHNOLOGIES, LLC AND SHOULD NOT BE USED WITHOUT WRITTEN PERMISSION DIMENSION UNITS: MM ONLY SCALE: 3:1 GENERAL TOLERANCES (UNLESS SPECIFIED) ANGULAR TOL ± 1.0°	CURRENT REV DESC: EC NO: 602373 DRWN: DSHETTY01 2018/05/25 CHK'D: MVANSLAMBROU 2018/10/04 APPR: MVANSLAMBROU 2018/10/04 INITIAL REVISION: DRWN: APROFFITT 2015/07/21 APPR: KDEKOSKI 2016/06/14	 MX150 BLADE SINGLE ROW SEALED ASSY MAT SEAL		
	4 PLACES ± 3 PLACES ± 2 PLACES ± 0.1 1 PLACE ± 0.2 0 PLACES ± DRAFT WHERE APPLICABLE MUST REMAIN WITHIN DIMENSIONS	THIRD ANGLE PROJECTION 	DRAWING: A1-SIZE SERIES: 33481	MATERIAL NUMBER: SEE NOTE 2a. CUSTOMER: GENERAL MARKET SHEET NUMBER: 4 OF 9	DOCUMENT NUMBER: SD-33481-0001 DOC TYPE: PSD DOC PART: 001 REVISION: A1

SHEET DESCRIPTION
BACKSHELL CONFIGURATIONS

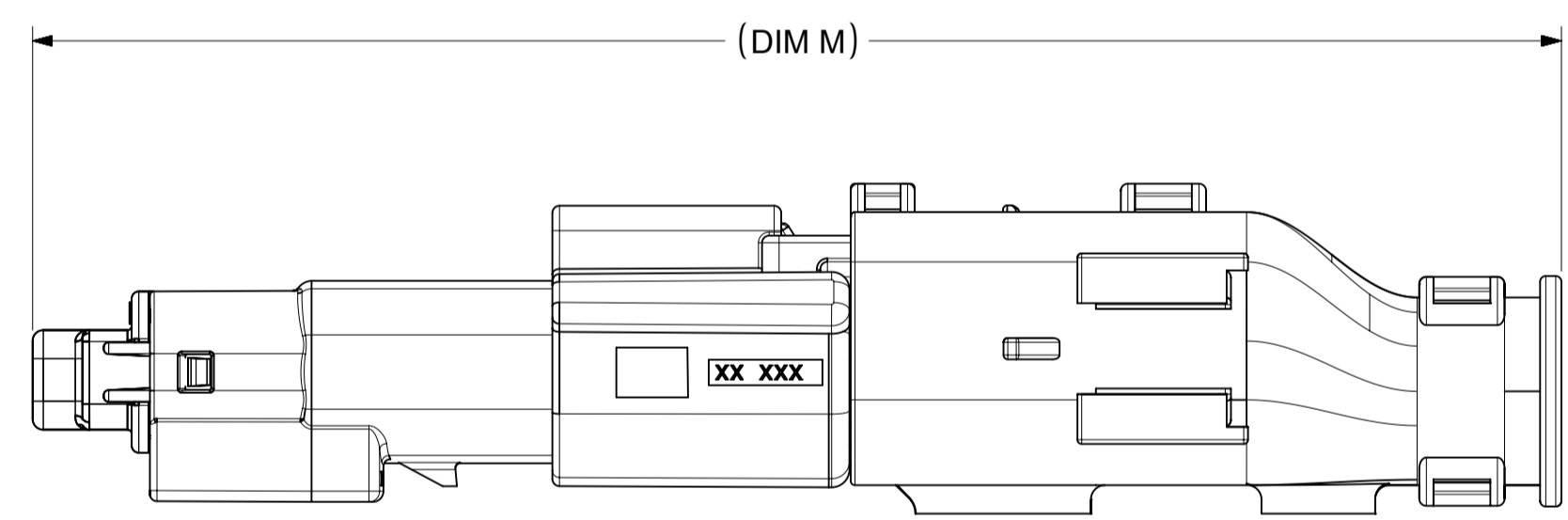
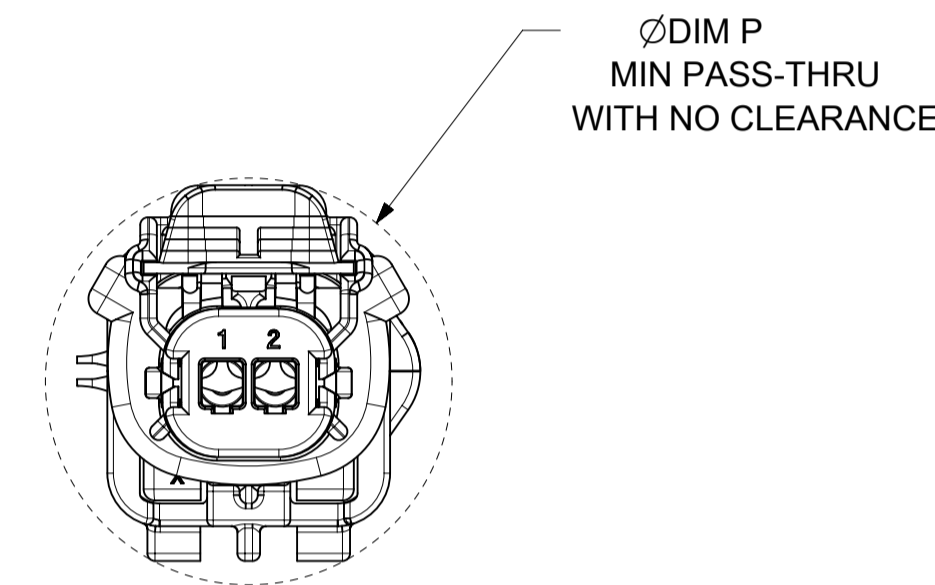
CKT	BLADE CONFIGURATION	RECEPTACLE CONFIGURATION	DIMENSIONS				
			M	N	P	R	S
1X2	STANDARD	STANDARD	107.84	29.50	27.00	26.25	25.00



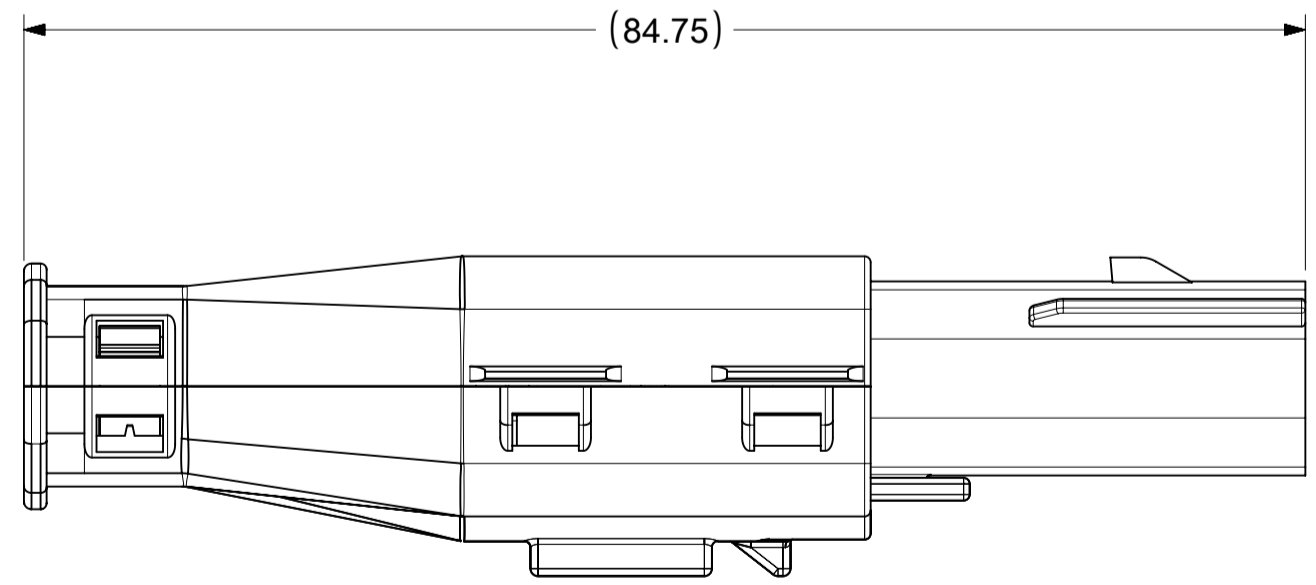
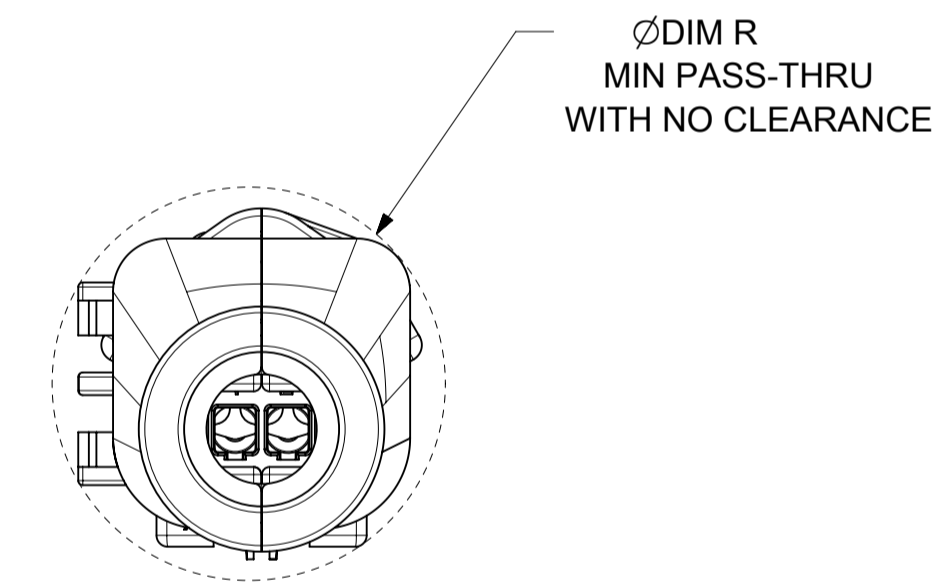
OVERALL MATED SYSTEM WITH BLADE AND RECEPTACLE BACKSHELL



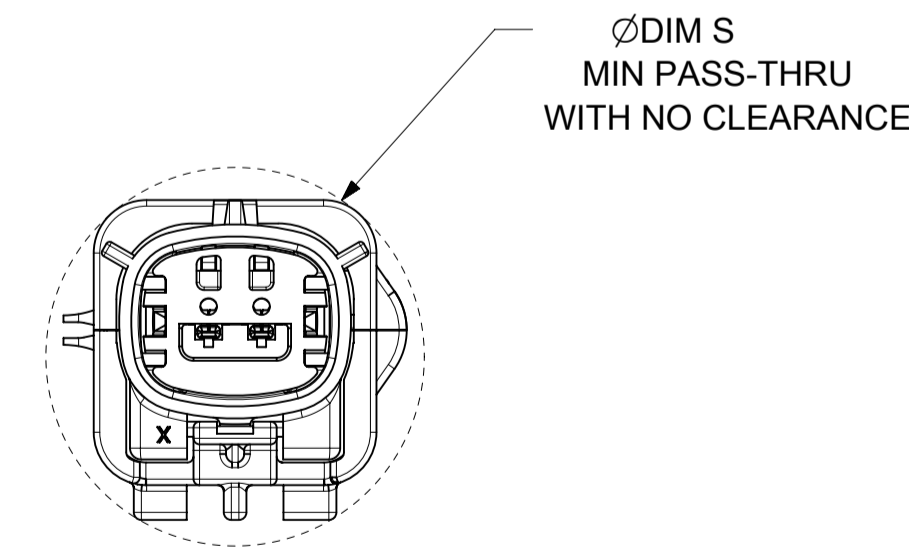
OVERALL MATED SYSTEM WITH BLADE BACKSHELL



OVERALL MATED SYSTEM WITH RECEPTACLE BACKSHELL



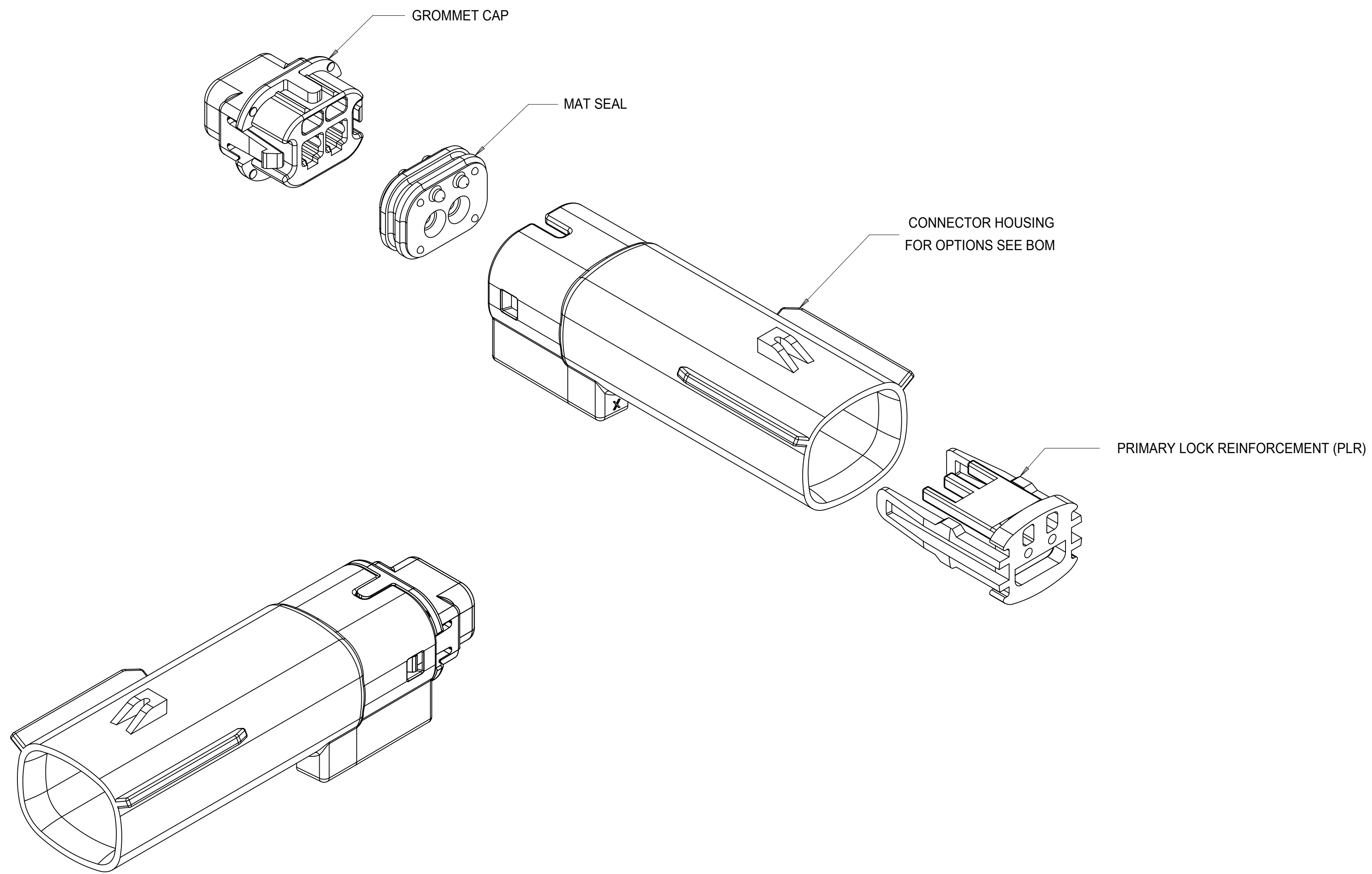
BLADE SEALED ASSEMBLY WITH BLADE BACKSHELL



SYMBOLS = 0 = 0 = 0 = 0 = 0 = 0 = 0 = 0 = 0 = 0	THIS DRAWING CONTAINS INFORMATION THAT IS PROPRIETARY TO MOLEX ELECTRONIC TECHNOLOGIES, LLC AND SHOULD NOT BE USED WITHOUT WRITTEN PERMISSION DIMENSION UNITS: MM ONLY SCALE: 2:1	CURRENT REV DESC: EC NO: 602373 DRWN: DSHETTY01 2018/05/25 CHK'D: MVANSLAMBROU 2018/10/04 APPR: MVANSLAMBROU 2018/10/04 INITIAL REVISION: DRWN: APROFFITT 2015/07/21 APPR: KDEKOSKI 2016/06/14	 MX150 BLADE SINGLE ROW SEALED ASSY MAT SEAL		
	GENERAL TOLERANCES (UNLESS SPECIFIED) ANGULAR TOL ± 1.0° 4 PLACES ± 3 PLACES ± 2 PLACES ± 0.1 1 PLACE ± 0.2 0 PLACES ± DRAFT WHERE APPLICABLE MUST REMAIN WITHIN DIMENSIONS	PRODUCT CUSTOMER DRAWING DOCUMENT NUMBER: SD-33481-0001 DOC TYPE: PSD DOC PART: 001 REVISION: A1	MATERIAL NUMBER: SEE NOTE 2a. CUSTOMER: GENERAL MARKET SHEET NUMBER: 9 OF 9		

TABLE OF CONTENTS

SHEET NO.	SHEET DESCRIPTION
1	NOTES
2	KEY CONFIGURATIONS
3	BLADE SEALED ASSEMBLY
4	SYSTEM PACKAGING
5	BACKSHELL NOTES
6	BACKSHELL
7	BACKSHELL CONFIGURATIONS
8-9	BOM



NOTES: VALID UNLESS OTHERWISE SPECIFIED

1. GENERAL:

- a. APPLICATION SPECIFICATION SEE: AS-33472-100
CONTAINS: PRODUCT INTRODUCTION, PRODUCT SUMMARY, CONNECTOR ASSEMBLY, PACKAGING INFORMATION, CONNECTOR MATING, SERVICE INSTRUCTIONS, ELECTRICAL CONTINUITY CHECKING, CRIMPING, AND TROUBLESHOOTING.
-DESIGNED TO MATE WITH RECEPTACLE SEALED ASSEMBLY SPECIFIED IN MOLEX DRAWING SD-33471-021.
-FOR 1.5mm BLADE TERMINALS TO BE USED WITH THIS ASSEMBLY SEE MOLEX DRAWING SD-33000-001.
- SYSTEM TO BE USED WITH WIRE WITHIN DIAMETER RANGE OF 1.2mm TO 2.69mm.
-ASSEMBLY SHIPPED WITH PLR IN PRE-LOCK POSITION
-IN THE EVENT THAT THE PLR IS FOUND IN THE SEATED (FINAL LOCK) POSITION, REFER TO MOLEX SPECIFICATION PS-34646-001, AVAILABLE AT www.molex.com <<http://www.molex.com>>
-ASSEMBLY CONFORMS TO SAE/USCAR-2 REV.4 WITH THE FOLLOWING EXCEPTIONS: TERMINAL INSERTION FORCE FOR WIRE DIAMETER ABOVE 2.5mm NOT EXCEEDING 40 NEWTONS.
- b. PRODUCT SPECIFICATION SEE: PS-33471-000
CONTAINS: PRODUCT INTRODUCTION, PRODUCT SUMMARY, RATINGS (CURRENT, TEMPERATURE, SEALING, AND FLAMMABILITY), AND PRODUCT VALIDATION.
- c. PACKAGING SPECIFICATION PER MOLEX DRAWING: PK-31300-635
- d. PARTS MUST BE IN COMPLIANCE TO MOLEX CHEMICAL SUBSTANCES FOR PRODUCTS AND PACKAGING SPECIFICATION: ES-40000-5016
- e. DATA MUST BE SUBMITTED UNDER THE MOLEX PART NUMBER TO IMDS (COMPANY ID#13255)

2. DESIGN - MATERIALS:

- a. SEE BOM TABLE

3. DESIGN - GEOMETRY:

- a. THIS IS A 100% CAD GENERATED PART. THE CAD MATHEMATICAL DATA IS THE MASTER FOR THIS PART. FOR DIMENSIONAL OR ANY INFORMATION NOT SHOWN ON THIS DRAWING, ANALYZE THE CAD MODEL.
- b. GEOMETRIC DIMENSIONS AND TOLERANCES PER ASME Y14.5M - 1994
- c. EDGES AND UNDIMENSIONED DETAILS PER ISO13715
- d. CORNERS SHOWN AS SHARP TO BE R 0.2 MAX.
- e. LETTERING SHALL BE 0.15 MAX RAISED IN 0.25 MAX RECESS PAD. THIS INCLUDES RECYCLING CODE, CAVITY ID, VENDOR IDENTIFICATION, AND CUSTOMER MATERIAL NUMBER.
- f. VISUAL DEFECTS SHALL MEET COSMETIC STANDARD PS-45499-002 (Class B)
- g. LASER MARKING: TBD

INSPECTION LOG
LAST NUMBER USED: 57
ADDED:
REMOVED:

A12	ADD NEW P/N 33481-2201 TO 33481-2210
A10	ADD NEW P/N 33481-0210
A9	UPDATED VIEWSET & NOTES
A8	RENAMED BACKSHELLS
A7	REMOVED DIMENSION 57
A6	UPDATED NOTES
A5	UPDATED P/N ORDER IN BOM
A4	REDRAWN, ADDED BACKSHELL
REV	DESCRIPTION

QUALITY SYMBOLS	THIS DRAWING CONTAINS INFORMATION THAT IS PROPRIETARY TO MOLEX ELECTRONIC TECHNOLOGIES, LLC AND SHOULD NOT BE USED WITHOUT WRITTEN PERMISSION			
▽ = 0	2017/10/30	2017/10/31	GENERAL TOLERANCES (UNLESS SPECIFIED)	DIMENSION UNITS
▽ = 0			mm	
▽ = 0	2017/10/30	2017/10/31	ANGULAR TOL ± 3.0 °	SCALE
▽ = 0			3:1	
▽ = 0	2017/10/30	2017/10/31	4 PLACES ±	DRWN BY
▽ = 0			KCUNNINGHAM	
▽ = 0	2017/10/30	2017/10/31	3 PLACES ±	DATE
▽ = 0			2012/07/19	
▽ = 0	2017/10/30	2017/10/31	2 PLACES ± 0.1	CHKD BY
▽ = 0			MVANSLAMBROU	
▽ = 0	2017/10/30	2017/10/31	1 PLACE ± 0.2	DATE
▽ = 0			2017/10/18	
▽ = 0	2017/10/30	2017/10/31	0 PLACES ±	APPR BY
▽ = 0			VKOSHY	
▽ = 0	2017/10/30	2017/10/31	DRAFT WHERE APPLICABLE MUST REMAIN WITHIN DIMENSIONS	DATE
▽ = 0			2012/07/19	
▽ = 0	2017/10/30	2017/10/31	DRAWING SIZE	THIRD ANGLE PROJECTION
▽ = 0			D	
▽ = 0	EC NO: 167392	DRWN: LSONG05	CHKD: MVANSLAMBROU	APPR: MVANSLAMBROU
▽ = 0	A12	REV	APP	REV

molex

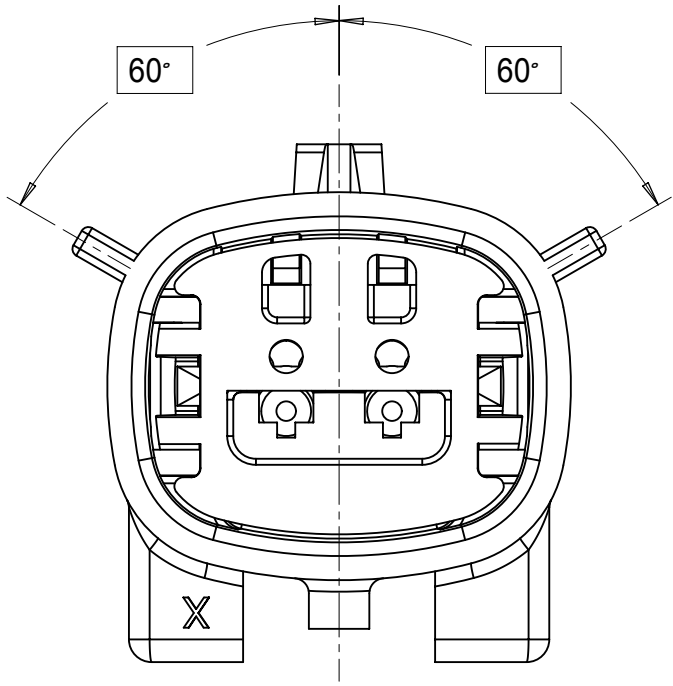
MX150 1X2 BLADE SEALED ASSEMBLY MAT SEAL

PRODUCT CUSTOMER DRAWING

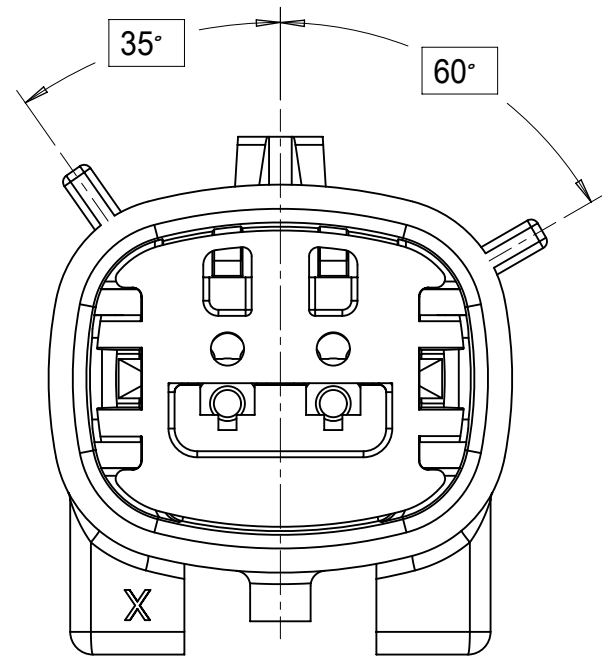
SERIES: 33481 MATERIAL NUMBER: SEE BOM CUSTOMER: GENERAL MARKET

DOCUMENT NUMBER: SD-33481-021 DOC TYPE: PSD DOC PART: 001 SHEET NUMBER: 1 OF 9

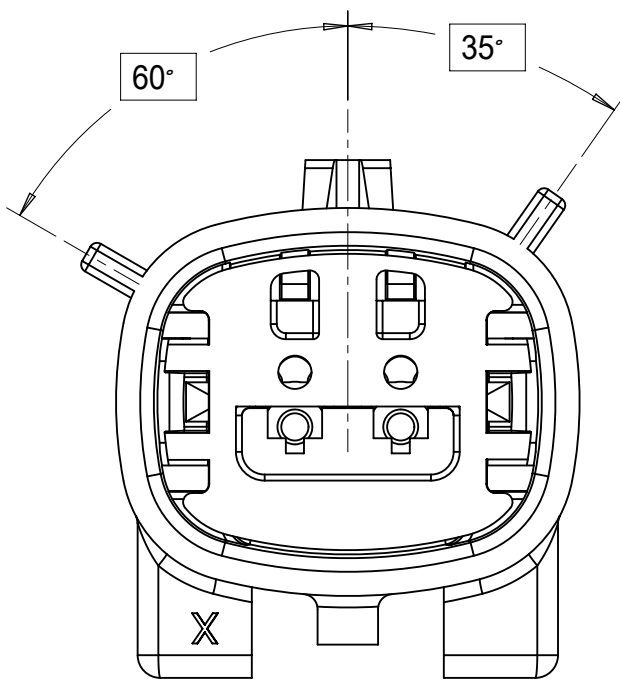
KEY CONFIGURATIONS



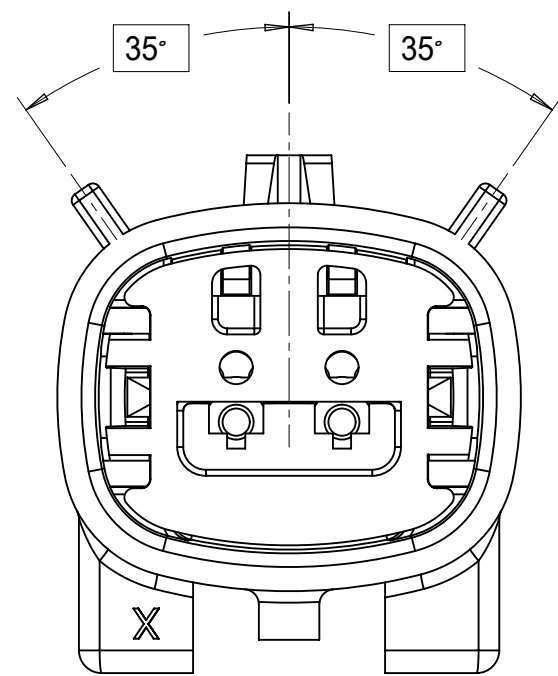
KEY A



KEY B



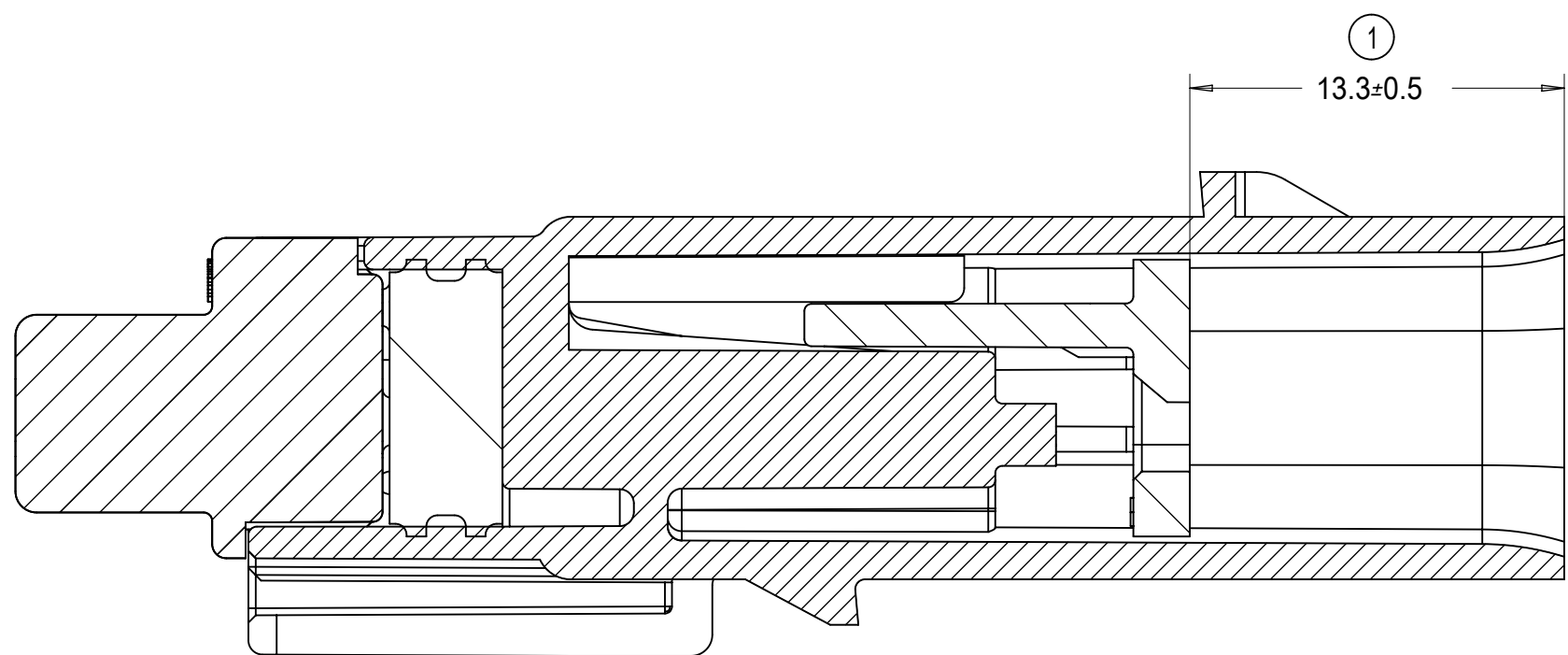
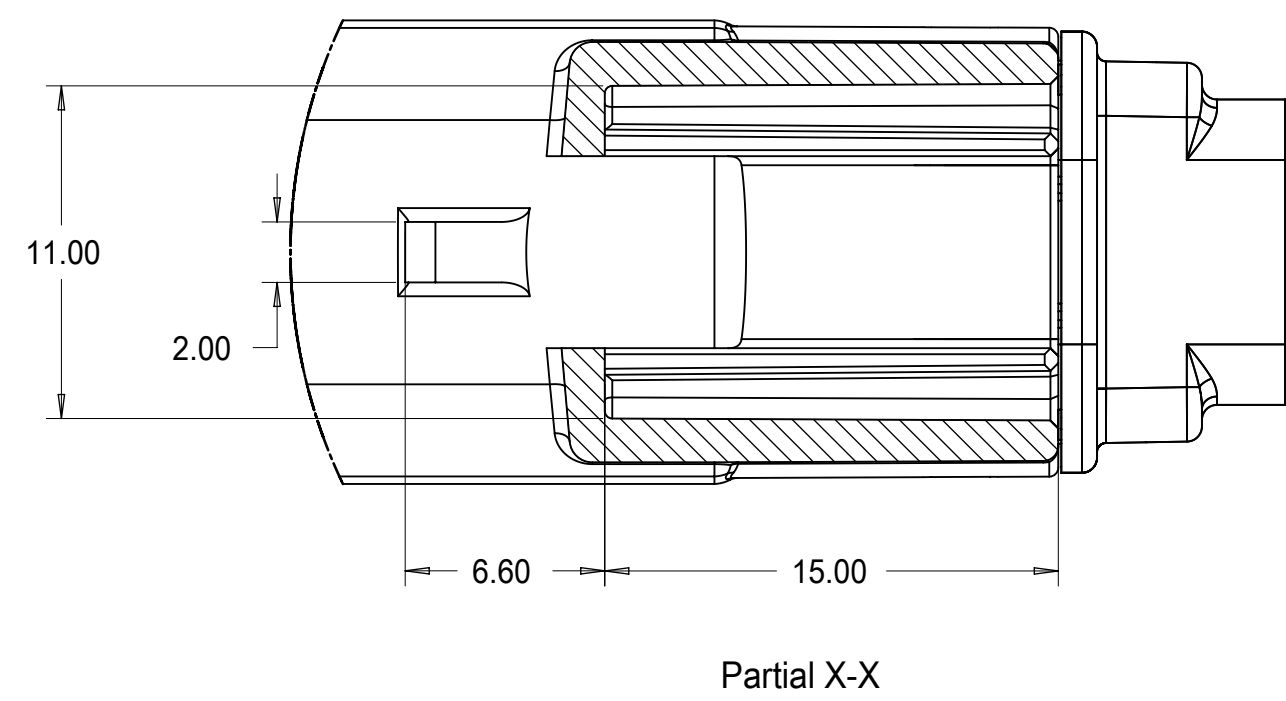
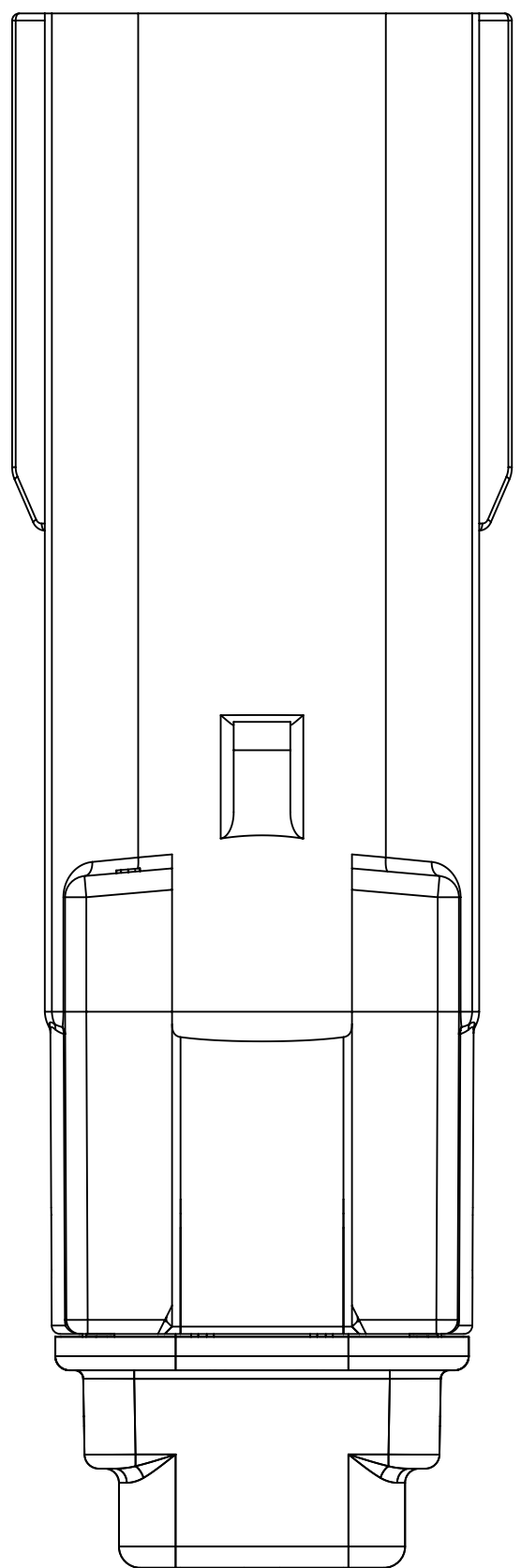
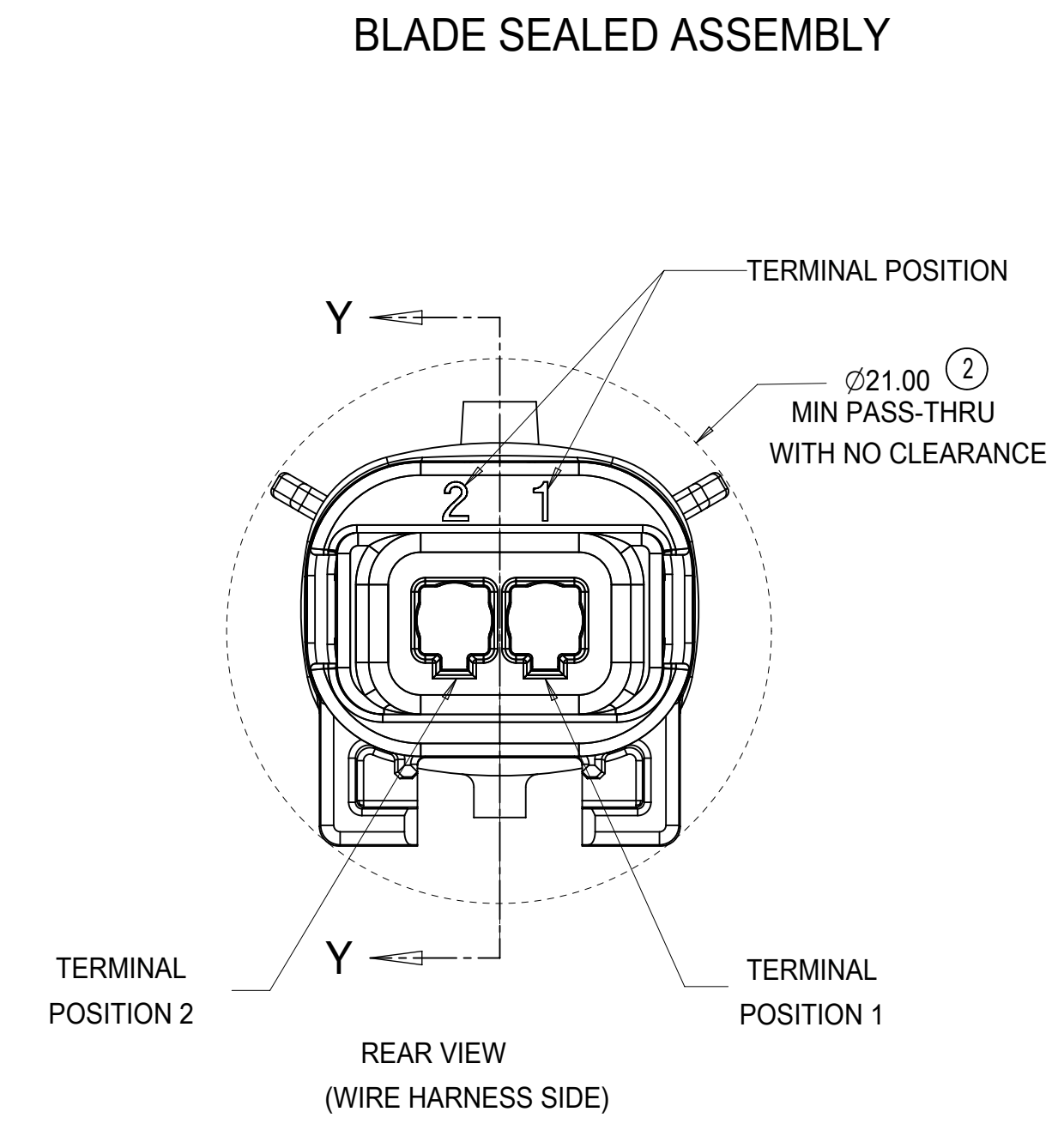
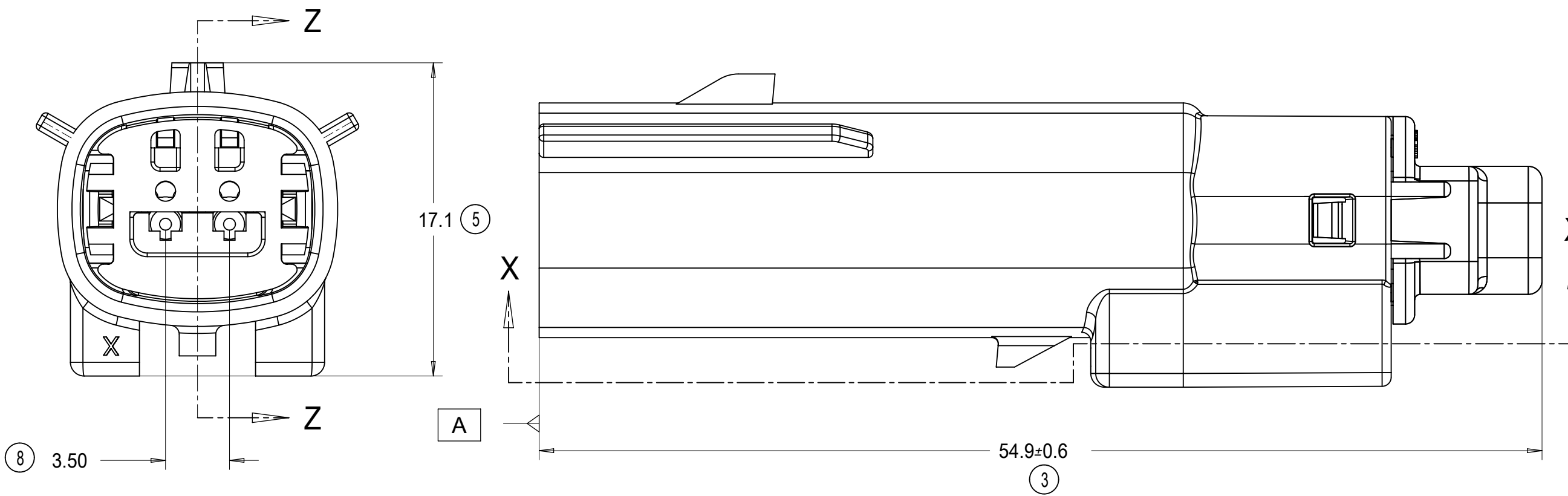
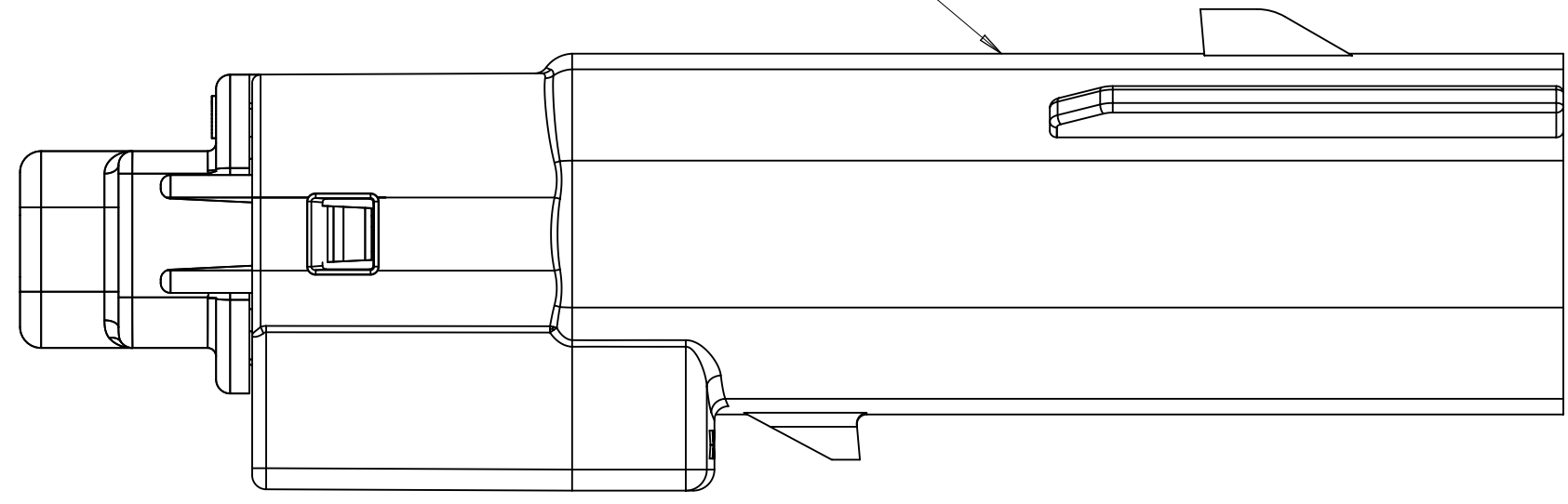
KEY C



KEY D

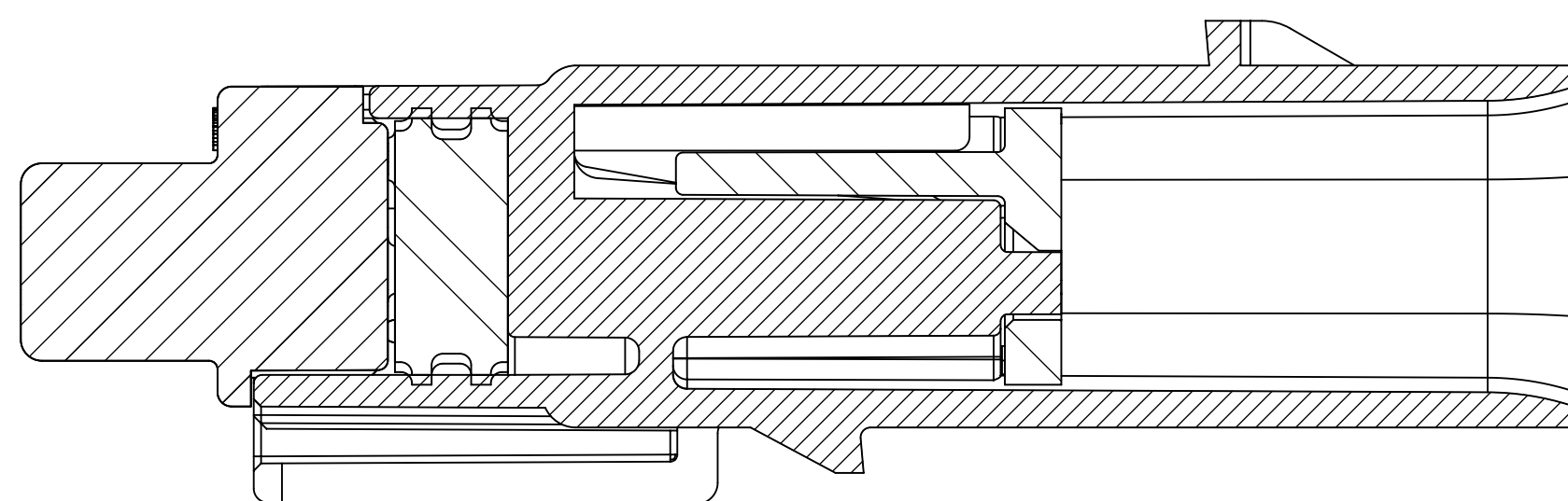
QUALITY SYMBOLS = 0 = 0 = 0 = 0 = 0 = 0 = 0 = 0	THIS DRAWING CONTAINS INFORMATION THAT IS PROPRIETARY TO MOLEX ELECTRONIC TECHNOLOGIES, LLC AND SHOULD NOT BE USED WITHOUT WRITTEN PERMISSION											
	2017/10/30	2017/10/31	GENERAL TOLERANCES (UNLESS SPECIFIED)		DIMENSION UNITS	SCALE						
	DRWN: LSONG05	CHKD: MVANSLAMBROU	ANGULAR TOL ± 3.0 °		mm	4:1						
	EC NO: 167392 DRWN: LSONG05 CHKD: MVANSLAMBROU REV APPR: MVANSLAMBROU	4 PLACES ±	DRWN BY		DATE	KCUNNINGHAM		2012/07/19		MX150 1X2 BLADE SEALED ASSEMBLY MAT SEAL PRODUCT CUSTOMER DRAWING		
		3 PLACES ±	CHKD BY		DATE	MVANSLAMBROU		2017/10/18				
		2 PLACES ± 0.1	APPR BY		DATE	VKOSHY		2012/07/19				
		1 PLACE ± 0.2	DRAWING SIZE		THIRD ANGLE PROJECTION		D					
		0 PLACES ±	DRAFT WHERE APPLICABLE MUST REMAIN WITHIN DIMENSIONS		SERIES		MATERIAL NUMBER		CUSTOMER			
	A12	33481		SEE BOM		GENERAL MARKET		DOCUMENT NUMBER		SD-33481-021		
	RELEASE STATUS		P1	RELEASE DATE		31.10.2017	21:13:48		DOC TYPE		PSD	
DOC PART		001		SHEET NUMBER		2 OF 9		PSD		001		

OPTIONAL LASER MARKING ON THIS SURFACE SEE NOTE 3g



PRIMARY LOCK REINFORCEMENT (PLR) SHOWN IN PRE-STAGED POSITION

SECTION Z-Z

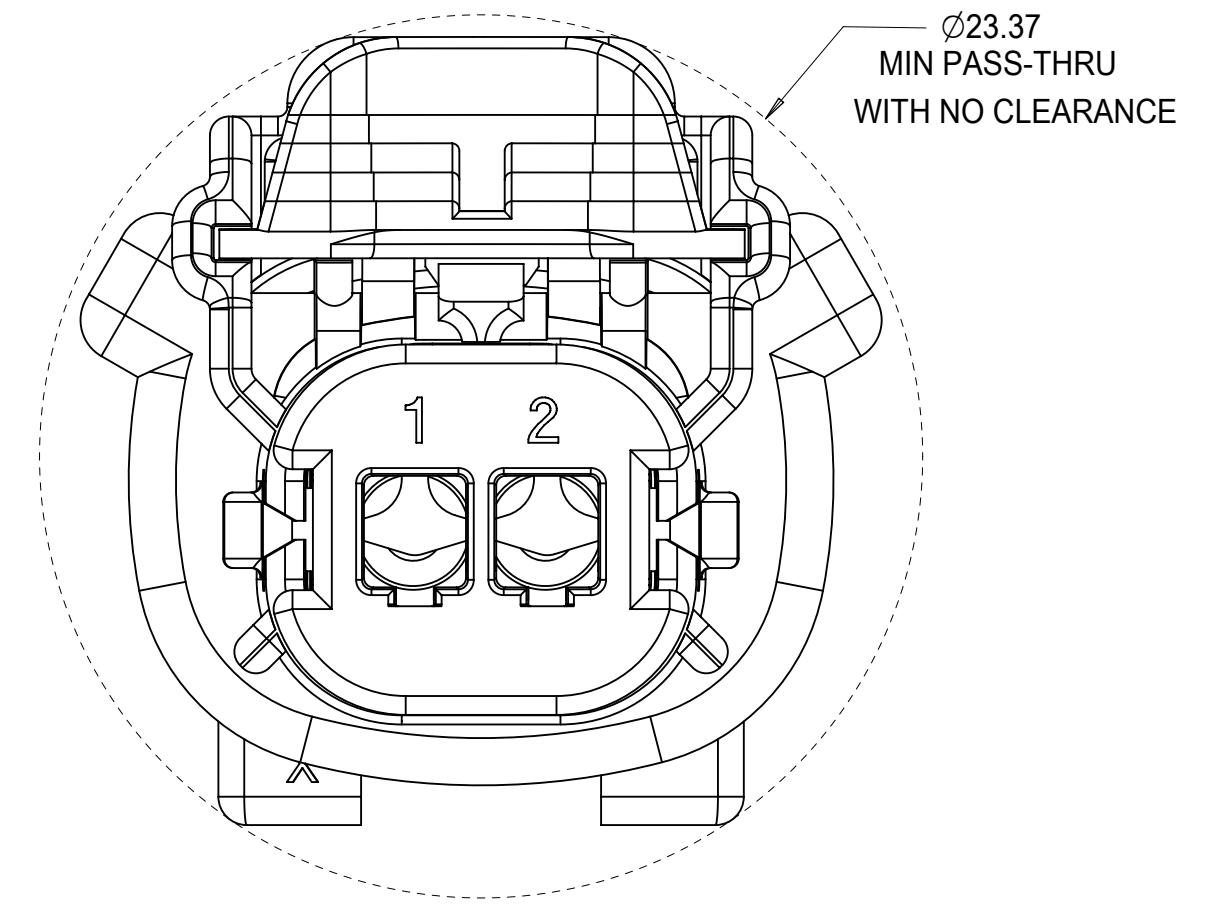
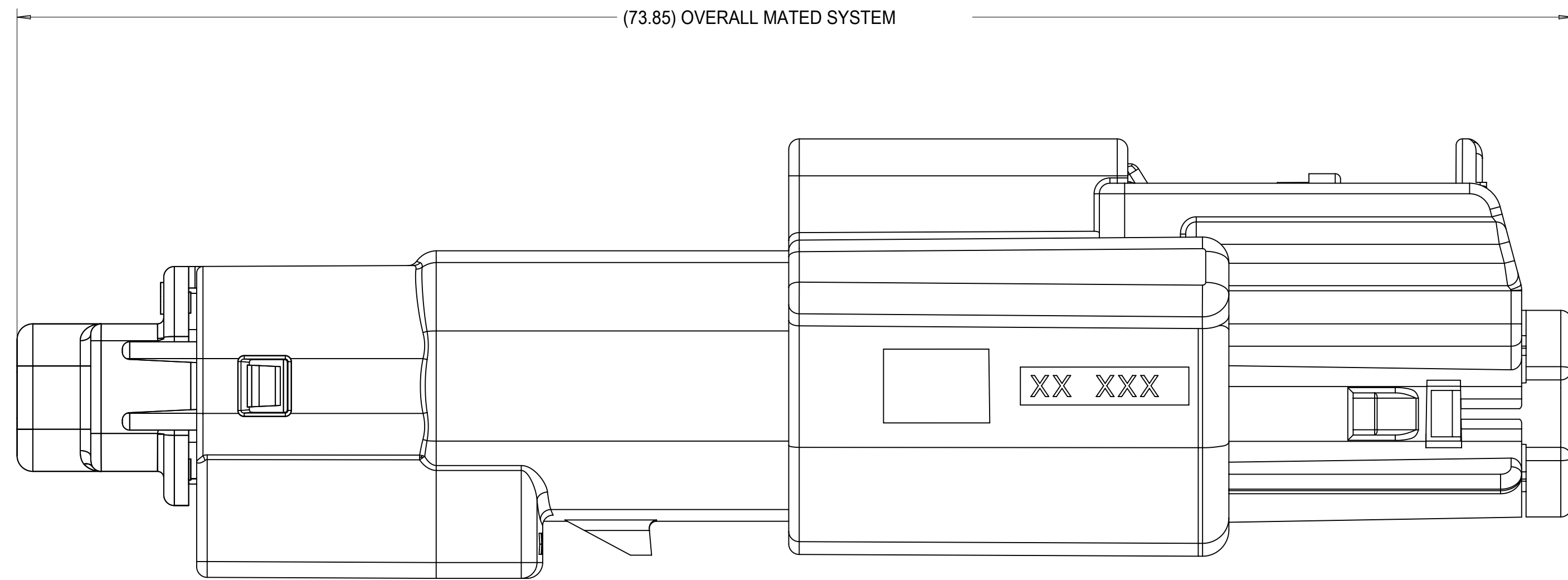


PRIMARY LOCK REINFORCEMENT (PLR) SHOWN IN FINAL-LOCK POSITION

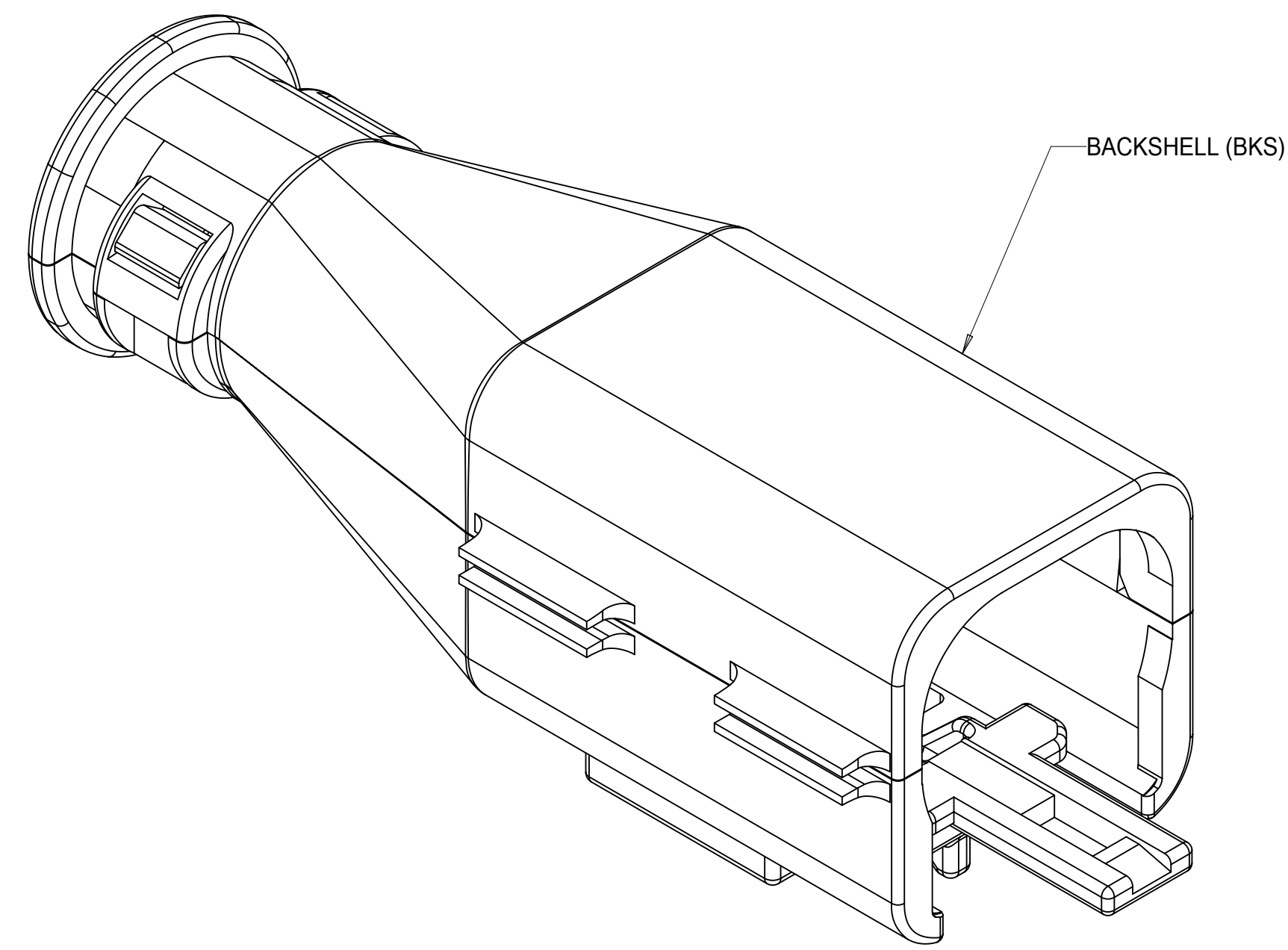
SECTION Y-Y

QUALITY SYMBOLS □ = 0 ▽ = 0 ▽ = 0 ▽ = 0 ▽ = 0 ▽ = 0 ▽ = 0 ▽ = 0 ▽ = 0 ▽ = 0 ▽ = 0 ▽ = 0	THIS DRAWING CONTAINS INFORMATION THAT IS PROPRIETARY TO MOLEX ELECTRONIC TECHNOLOGIES, LLC AND SHOULD NOT BE USED WITHOUT WRITTEN PERMISSION				GENERAL TOLERANCES (UNLESS SPECIFIED) DIMENSION UNITS: mm SCALE: 4:1			
	EC NO: 167392 DRWN: LSONG05 CHKD: MVANSLAMBROU REV APPR: MVANSLAMBROU	2017/10/30 2017/10/31	4 PLACES ± 3 PLACES ± 2 PLACES ± 0.1 1 PLACE ± 0.2 0 PLACES ±	DRAFT WHERE APPLICABLE MUST REMAIN WITHIN DIMENSIONS	DRWN BY: KCUNNINGHAM DATE: 2012/07/19 CHKD BY: MVANSLAMBROU DATE: 2017/10/18 APPR BY: VKOSHY DATE: 2012/07/19	DIMENSION UNITS: mm SCALE: 4:1 DRWN BY: KCUNNINGHAM DATE: 2012/07/19 CHKD BY: MVANSLAMBROU DATE: 2017/10/18 APPR BY: VKOSHY DATE: 2012/07/19		
	PRODUCT CUSTOMER DRAWING				SERIES: 33481	MATERIAL NUMBER: SEE BOM	CUSTOMER: GENERAL MARKET	
	DRAFTING SIZE: D THIRD ANGLE PROJECTION				DOCUMENT NUMBER: SD-33481-021	DOC TYPE: PSD	DOC PART: 001	SHEET NUMBER: 3 OF 9

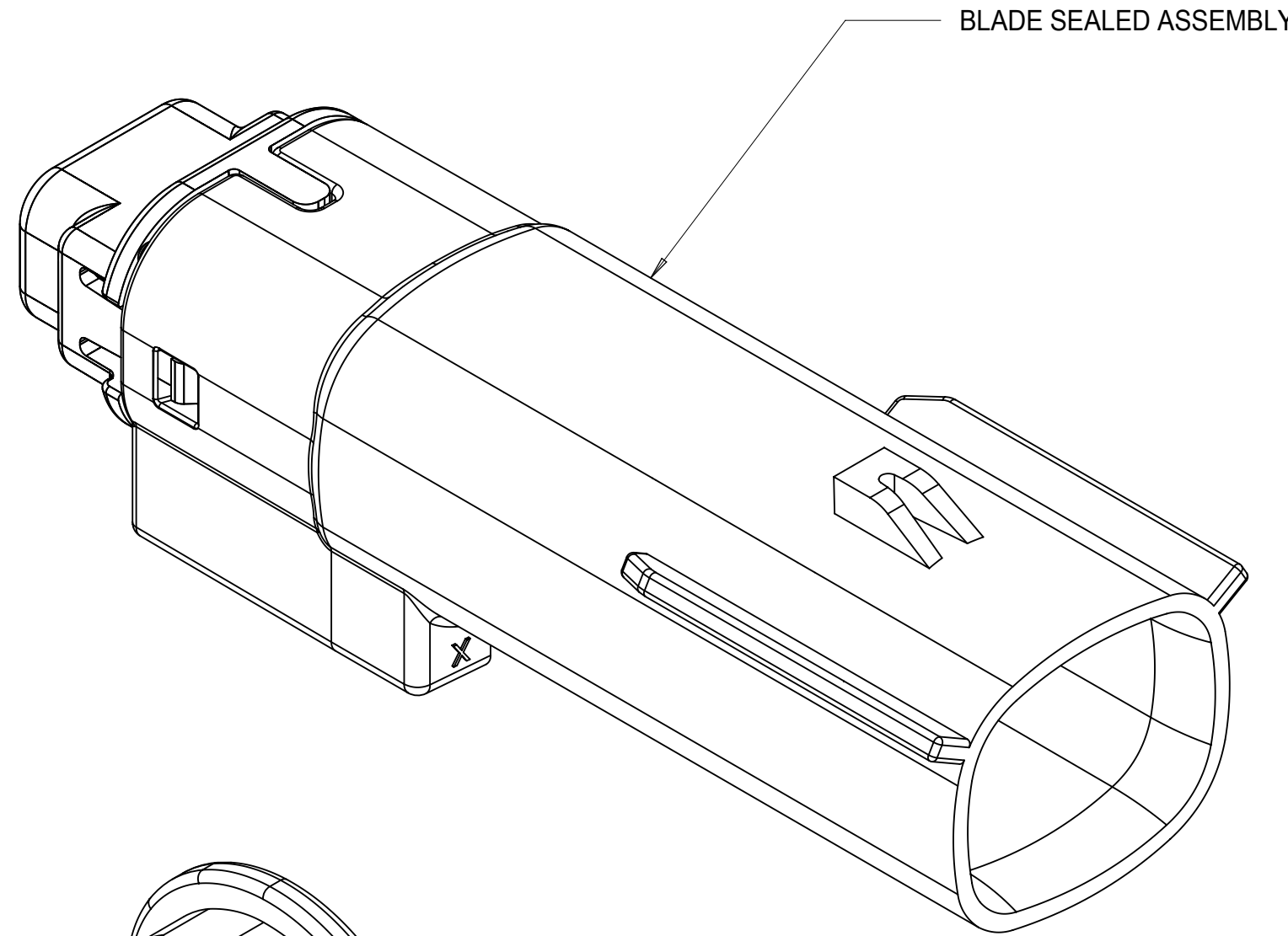
SYSTEM PACKAGING



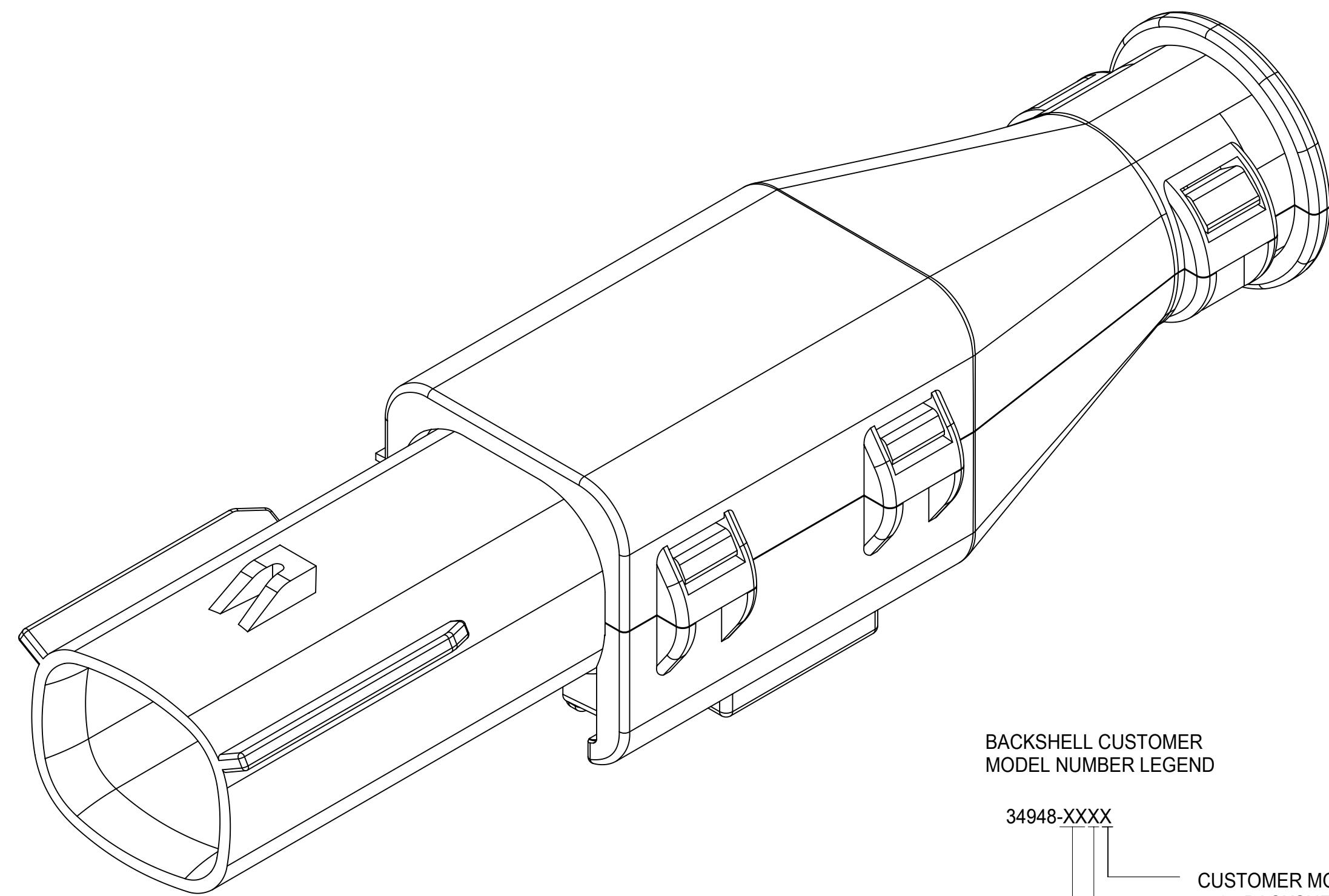
QUALITY SYMBOLS 	THIS DRAWING CONTAINS INFORMATION THAT IS PROPRIETARY TO MOLEX ELECTRONIC TECHNOLOGIES, LLC AND SHOULD NOT BE USED WITHOUT WRITTEN PERMISSION											
	2017/10/30	2017/10/31	GENERAL TOLERANCES (UNLESS SPECIFIED)		DIMENSION UNITS	SCALE						
	DRWN BY	DATE	ANGULAR TOL ± 3.0 °		mm	1:1						
	EC NO: 167392 DRWN: LSONG05 CHK'D: REV APPR: MVANSLAMBROU	4 PLACES ±	3 PLACES ±	2 PLACES ± 0.1	1 PLACE ± 0.2	0 PLACES ±	DRWN BY	DATE	MX150 1X2 BLADE SEALED ASSEMBLY MAT SEAL PRODUCT CUSTOMER DRAWING SERIES: 33481 MATERIAL NUMBER: SEE BOM CUSTOMER: GENERAL MARKET DOCUMENT NUMBER: SD-33481-021 DOC TYPE: PSD DOC PART: 001 SHEET NUMBER: 4 OF 9			
		KVCUNNINGHAM		2012/07/19		CHK'D BY	DATE					
		MVANSLAMBROU		2017/10/18		APPR BY	DATE					
		VKOSHY		2012/07/19		DRAWING SIZE	THIRD ANGLE PROJECTION					
		D										
	DRAFT WHERE APPLICABLE MUST REMAIN WITHIN DIMENSIONS											



BACKSHELL (BKS)



BLADE SEALED ASSEMBLY



BACKSHELL CUSTOMER MODEL NUMBER LEGEND

34948-XXXX

- CUSTOMER MODEL COMPONENTS
- 0 - BACKSHELL ONLY
 - 1 - BACKSHELL & MX150 HOUSING KEY A ASSEMBLY
 - 2 - BACKSHELL & MX150 HOUSING KEY B ASSEMBLY
 - 3 - BACKSHELL & MX150 HOUSING KEY C ASSEMBLY
 - 4 - BACKSHELL & MX150 HOUSING KEY D ASSEMBLY

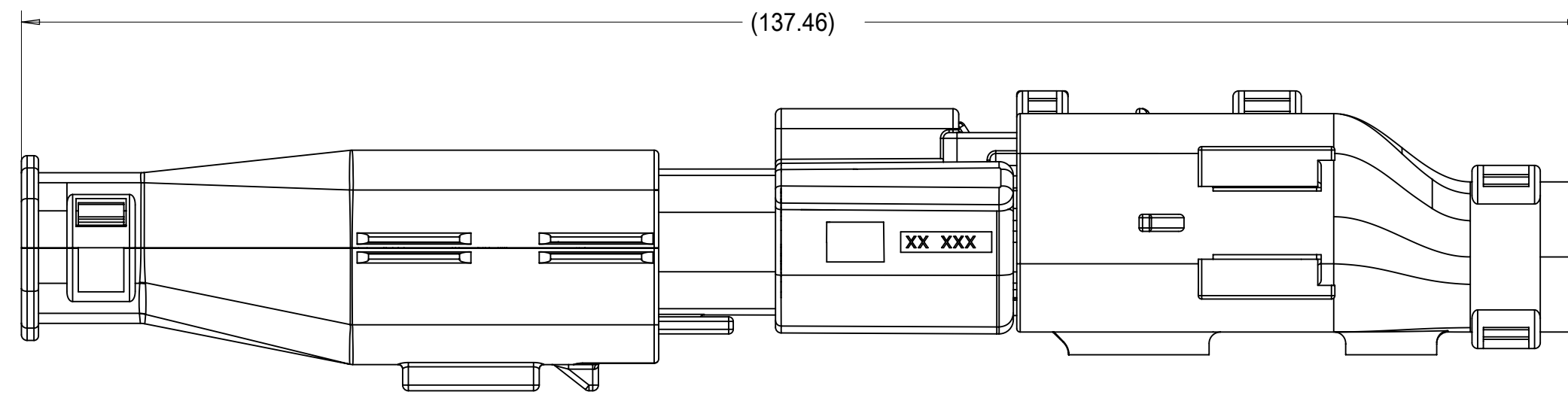
- BACKSHELL FEATURES
- 1 - WITH RIBS
 - 2 - WITHOUT RIBS

MX150 CIRCUIT SIZE 02, 03, 04, 05, 06

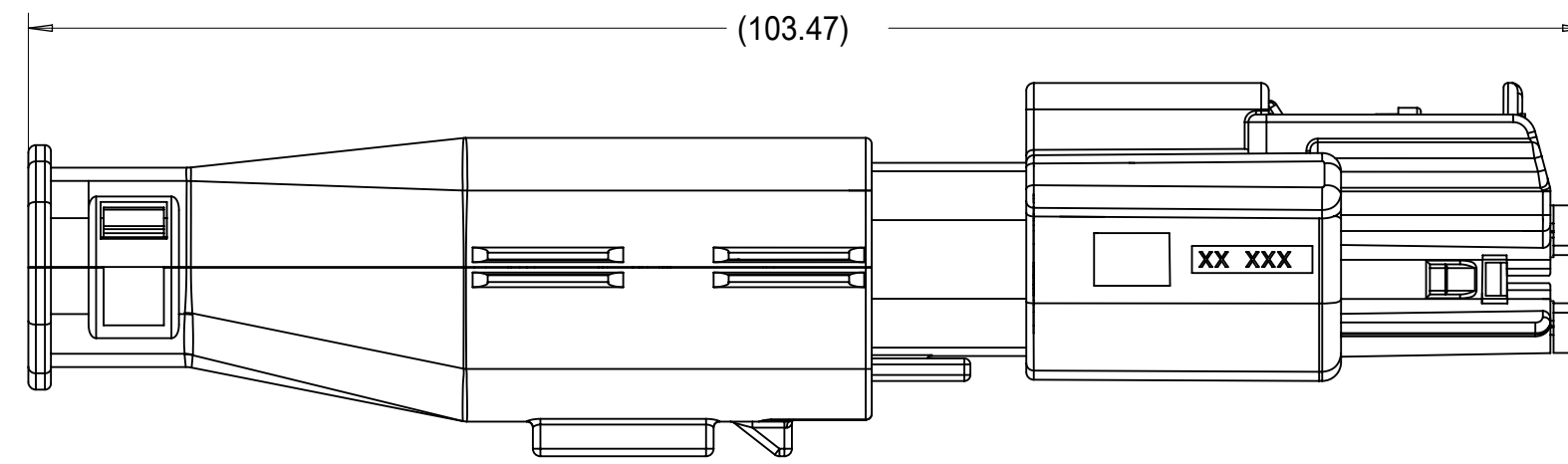
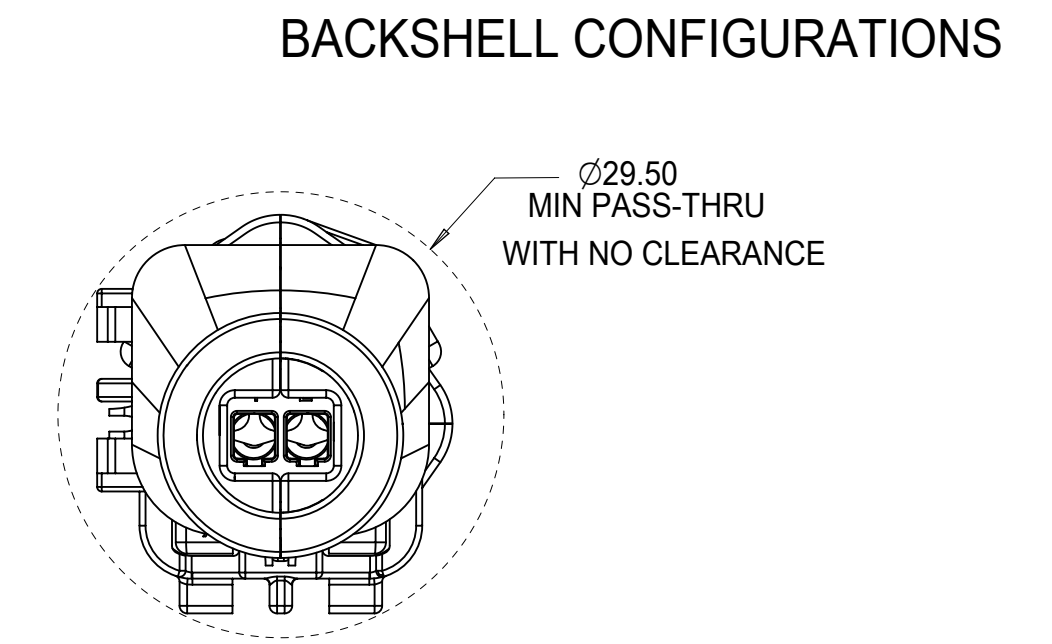
BACKSHELL NOTES: VALID UNLESS OTHERWISE SPECIFIED

1. GENERAL:
- a. APPLICATION SPECIFICATION SEE: AS-34951-001
- DESIGNED TO MATE WITH RECEPTACLE SEALED ASSEMBLY SPECIFIED IN MOLEX DRAWING SD-33472-021.
 - SYSTEM TO BE USED WITH WIRE WITHIN DIAMETER RANGE OF 1.2mm TO 2.69mm.
 - COMPONENTS ARE OPTIONAL AND MUST BE PURCHASED SEPERATELY.
 - BACKSHELL DESIGN IS OWNED BY SCHLEMMER.
 - FOR ADDITIONAL INFORMATION SEE THE BACKSHELL COMPONENT DRAWING SD-34948-0001.

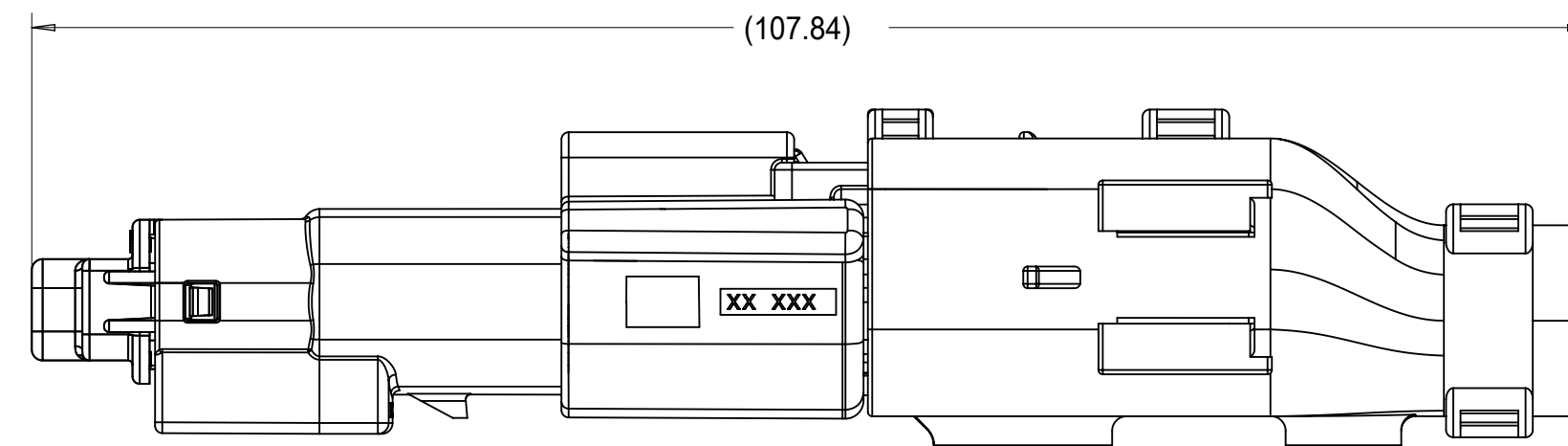
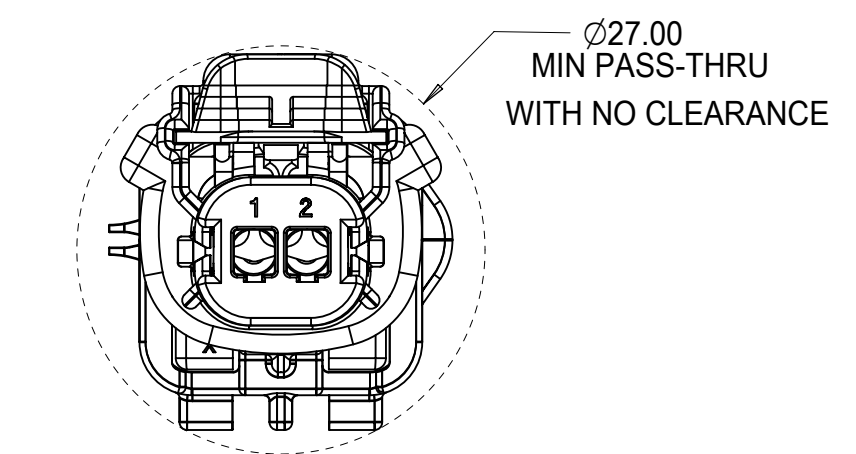
THIS DRAWING CONTAINS INFORMATION THAT IS PROPRIETARY TO MOLEX ELECTRONIC TECHNOLOGIES, LLC AND SHOULD NOT BE USED WITHOUT WRITTEN PERMISSION													
QUALITY SYMBOLS	2017/10/30	2017/10/31	GENERAL TOLERANCES (UNLESS SPECIFIED)		DIMENSION UNITS	SCALE							
			ANGULAR TOL ± 3.0 °		mm	4:1							
▽ = 0	EC NO: 167392 DRWN: LSONG05 CHKD: REV APPR: MVANSLAMBROU	2017/10/31	4 PLACES ±	DRWN BY	DATE								
▽ = 0			3 PLACES ±	KCUNNINGHAM	2012/07/19								
▽ = 0			2 PLACES ± 0.1	CHKD BY	DATE								
▽ = 0			1 PLACE ± 0.2	1 PLACE ± 0.2	MVANSAMBROU	2017/10/18	MX150 1X2 BLADE SEALED ASSEMBLY MAT SEAL PRODUCT CUSTOMER DRAWING						
▽ = 0			0 PLACES ±	0 PLACES ±	APPR BY	DATE							
□ = 0			DRAFT WHERE APPLICABLE MUST REMAIN WITHIN DIMENSIONS		VKOSHY		2012/07/19	SERIES	MATERIAL NUMBER	CUSTOMER			
■ = 0	DRAFT WHERE APPLICABLE MUST REMAIN WITHIN DIMENSIONS		DRAWING SIZE		THIRD ANGLE PROJECTION	33481	SEE BOM	GENERAL MARKET					
▽ = 0	A12			D		DOCUMENT NUMBER	SD-33481-021	DOC TYPE	PSD	DOC PART	001	SHEET NUMBER	5 OF 9



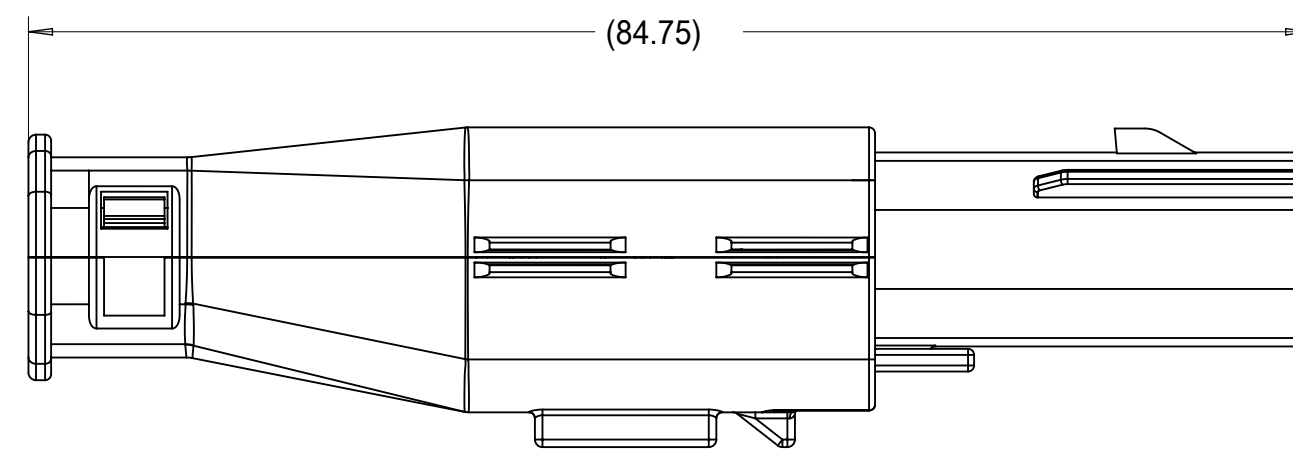
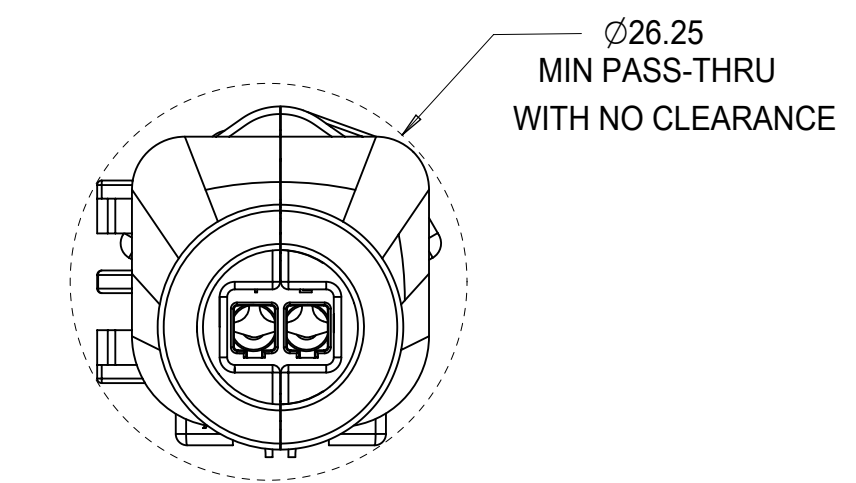
OVERALL MATED SYSTEM WITH BLADE AND RECEPTACLE BACKSHELL



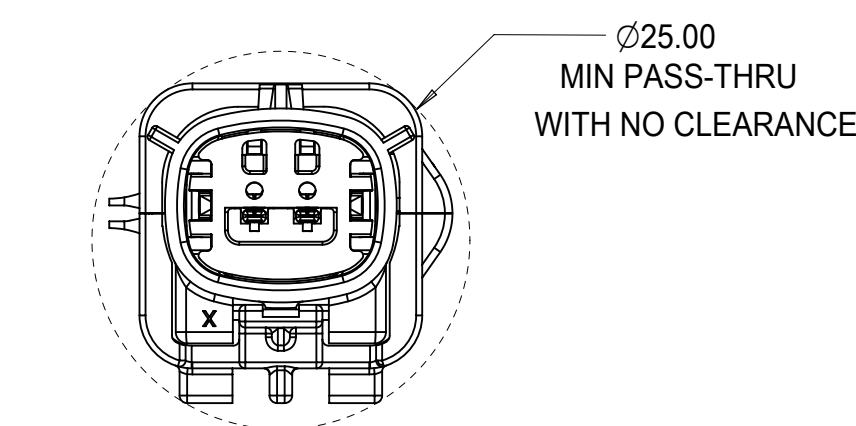
OVERALL MATED SYSTEM WITH BLADE BACKSHELL



OVERALL MATED SYSTEM WITH RECEPTACLE BACKSHELL



BLADE SEALED ASSEMBLY WITH BLADE BACKSHELL



QUALITY SYMBOLS 	THIS DRAWING CONTAINS INFORMATION THAT IS PROPRIETARY TO MOLEX ELECTRONIC TECHNOLOGIES, LLC AND SHOULD NOT BE USED WITHOUT WRITTEN PERMISSION											
	2017/10/30	2017/10/31	GENERAL TOLERANCES (UNLESS SPECIFIED)		DIMENSION UNITS	SCALE						
	DRWN BY	DATE	ANGULAR TOL ± 3.0 °		mm	2:1						
	EC NO: 167392 DRWN: LSONG05 CHK'D: REV/ APPR: MVANSLAMBROU	4 PLACES ±	3 PLACES ±	2 PLACES ± 0.1	1 PLACE ± 0.2	0 PLACES ±	DRWN BY	DATE	MX150 1X2 BLADE SEALED ASSEMBLY MAT SEAL			
		DRAFT WHERE APPLICABLE MUST REMAIN WITHIN DIMENSIONS		DRAFT WHERE APPLICABLE MUST REMAIN WITHIN DIMENSIONS		DRWN BY	DATE					
		DRAFT WHERE APPLICABLE MUST REMAIN WITHIN DIMENSIONS		DRAFT WHERE APPLICABLE MUST REMAIN WITHIN DIMENSIONS		CHK'D BY	DATE	PRODUCT CUSTOMER DRAWING				
		DRAFT WHERE APPLICABLE MUST REMAIN WITHIN DIMENSIONS		DRAFT WHERE APPLICABLE MUST REMAIN WITHIN DIMENSIONS		APPR BY	DATE					
		DRAFT WHERE APPLICABLE MUST REMAIN WITHIN DIMENSIONS		DRAFT WHERE APPLICABLE MUST REMAIN WITHIN DIMENSIONS		APPR BY	DATE	SERIES	MATERIAL NUMBER	CUSTOMER		
	DRAFT WHERE APPLICABLE MUST REMAIN WITHIN DIMENSIONS		DRAFT WHERE APPLICABLE MUST REMAIN WITHIN DIMENSIONS		DRAWING SIZE	THIRD ANGLE PROJECTION	33481	SEE BOM	GENERAL MARKET			
	DRAFT WHERE APPLICABLE MUST REMAIN WITHIN DIMENSIONS		DRAFT WHERE APPLICABLE MUST REMAIN WITHIN DIMENSIONS		D		DOCUMENT NUMBER	DOC TYPE	DOC PART	SHEET NUMBER		
DRAFT WHERE APPLICABLE MUST REMAIN WITHIN DIMENSIONS		DRAFT WHERE APPLICABLE MUST REMAIN WITHIN DIMENSIONS		A12		SD-33481-021	PSD	001	7 OF 9			

KEY A, YELLOW	33481-0210					A	GCO						SALEABLE		34948-0210	34948-0220
KEY A, BLACK	33481-0209	A							GCP2		2		SALEABLE		34948-0210	34948-0220
KEY D, STONE GRAY	33481-0208				D				GCP	1	2		SALEABLE		34948-0210	34948-0220
KEY C, DARK GRAY	33481-0207			C					GCP	1	2		SALEABLE		34948-0210	34948-0220
KEY B, LIGHT GRAY	33481-0206		B						GCP	1	2		SALEABLE		34948-0210	34948-0220
KEY A, BLACK	33481-0205	A							GCP	1	2		SALEABLE		34948-0210	34948-0220
KEY D, STONE GRAY	33481-0204				D		GCO						SALEABLE		34948-0210	34948-0220
KEY C, DARK GRAY	33481-0203			C			GCO						SALEABLE		34948-0210	34948-0220
KEY B, LIGHT GRAY	33481-0202		B				GCO						SALEABLE		34948-0210	34948-0220
KEY A, BLACK	33481-0201	A					GCO						SALEABLE		34948-0210	34948-0220
ASSEMBLY DESCRIPTION	ASSEMBLY PART NUMBERS	A	B	C	D	A	GCO	GCP	GCP2	1	2		STATUS	COMMENTS	BACKSHELL WITH RIBS	BACKSHELL WITHOUT RIBS
		BLOCKED TERMINAL										OPTIONAL ATTACHMENTS SOLD SEPARATELY				
CAVITY WITH A NUMBER INDICATES BLOCKED TERMINAL POSITION																
CAVITY WITHOUT A NUMBER INDICATES OPEN TERMINAL POSITION																
MAT SEAL			RUST RED			INHERENTLY LUBRICATED SILICONE										
PLR			NATURAL			SPS/NYLON GF20										
GROMMET CAP (CAVITY 2 PLUGGED)			BLACK			SPS/NYLON GF20										
GROMMET CAP (PLUGGED)			BLACK			SPS/NYLON GF20										
GROMMET CAP (OPEN)			BLACK			SPS/NYLON GF20										
HOUSING - KEYING OPTION A			YELLOW			SPS/NYLON GF20										
HOUSING - KEYING OPTION D			STONE GRAY			SPS/NYLON GF20										
HOUSING - KEYING OPTION C			DARK GRAY			SPS/NYLON GF20										
HOUSING - KEYING OPTION B			LIGHT GRAY			SPS/NYLON GF20										
HOUSING - KEYING OPTION A			BLACK			SPS/NYLON GF20										
DESCRIPTION			COLOR			MATERIAL										

BOM/APPLICABLE COMPONENTS TABLE

LEGEND TABLE

ABREVIATION	COMPONENT
A	HOUSING KEY A
B	HOUSING KEY B
C	HOUSING KEY C
D	HOUSING KEY D
GCO	GROMMET CAP (OPEN)
GCP	GROMMET CAP (PLUGGED)
GCP2	GROMMET CAP (CAVITY 2 PLUGGED)
P	PLR, STANDARD
M	MAT SEAL
BKS	BACKSHELL

QUALITY SYMBOLS 	THIS DRAWING CONTAINS INFORMATION THAT IS PROPRIETARY TO MOLEX ELECTRONIC TECHNOLOGIES, LLC AND SHOULD NOT BE USED WITHOUT WRITTEN PERMISSION									
	EC NO: 167392 DRWN: LSONG05 CHKD: REV APPR: MVANSLAMBROU	2017/10/30 2017/10/31	GENERAL TOLERANCES (UNLESS SPECIFIED) ANGULAR TOL ± 3.0 ° 4 PLACES ± 3 PLACES ± 2 PLACES ± 0.1 1 PLACE ± 0.2 0 PLACES ± DRAFT WHERE APPLICABLE MUST REMAIN WITHIN DIMENSIONS	DIMENSION UNITS: mm SCALE: 1:1 DRWN BY: KCUNNINGHAM DATE: 2012/07/19 CHKD BY: MVANSLAMBROU DATE: 2017/10/18 APPR BY: VKOSHY DATE: 2012/07/19		MX150 1X2 BLADE SEALED ASSEMBLY MAT SEAL	PRODUCT CUSTOMER DRAWING	SERIES: 33481 MATERIAL NUMBER: SEE BOM CUSTOMER: GENERAL MARKET		
RELEASE STATUS: P1 RELEASE DATE: 31.10.2017 21:13:48	DOCUMENT NUMBER: SD-33481-021 DOC TYPE: PSD DOC PART: 001 SHEET NUMBER: 8 OF 9									

KEY A, YELLOW	33481-2210					A	GCO						SALEABLE		34948-0210	34948-0220
KEY A, BLACK	33481-2209	A						GCP2			2		SALEABLE		34948-0210	34948-0220
KEY D, STONE GRAY	33481-2208			D				GCP		1	2		SALEABLE		34948-0210	34948-0220
KEY C, DARK GRAY	33481-2207			C				GCP		1	2		SALEABLE		34948-0210	34948-0220
KEY B, LIGHT GRAY	33481-2206		B					GCP		1	2		SALEABLE		34948-0210	34948-0220
KEY A, BLACK	33481-2205	A						GCP		1	2		SALEABLE		34948-0210	34948-0220
KEY D, STONE GRAY	33481-2204			D				GCO					SALEABLE		34948-0210	34948-0220
KEY C, DARK GRAY	33481-2203			C				GCO					SALEABLE		34948-0210	34948-0220
KEY B, LIGHT GRAY	33481-2202		B					GCO					SALEABLE		34948-0210	34948-0220
KEY A, BLACK	33481-2201	A						GCO					SALEABLE		34948-0210	34948-0220
ASSEMBLY DESCRIPTION	ASSEMBLY PART NUMBERS	A	B	C	D	A	GCO	GCP	GCP2	1	2		STATUS	COMMENTS	BACKSHELL WITH RIBS	BACKSHELL WITHOUT RIBS
		BLOCKED TERMINAL										OPTIONAL ATTACHMENTS SOLD SEPARATELY				
CAVITY WITH A NUMBER INDICATES BLOCKED TERMINAL POSITION										OPTIONAL ATTACHMENTS SOLD SEPARATELY						
CAVITY WITHOUT A NUMBER INDICATES OPEN TERMINAL POSITION										OPTIONAL ATTACHMENTS SOLD SEPARATELY						
MAT SEAL			GREEN			INHERENTLY LUBRICATED SILICONE										
PLR			NATURAL			SPS/NYLON GF20										
GROMMET CAP (CAVITY 2 PLUGGED)			BLACK			SPS/NYLON GF20										
GROMMET CAP (PLUGGED)			BLACK			SPS/NYLON GF20										
GROMMET CAP (OPEN)			BLACK			SPS/NYLON GF20										
HOUSING - KEYING OPTION A			YELLOW			SPS/NYLON GF20										
HOUSING - KEYING OPTION D			STONE GRAY			SPS/NYLON GF20										
HOUSING - KEYING OPTION C			DARK GRAY			SPS/NYLON GF20										
HOUSING - KEYING OPTION B			LIGHT GRAY			SPS/NYLON GF20										
HOUSING - KEYING OPTION A			BLACK			SPS/NYLON GF20										
DESCRIPTION			COLOR			MATERIAL										
BOM/APPLICABLE COMPONENTS TABLE																

QUALITY SYMBOLS 	THIS DRAWING CONTAINS INFORMATION THAT IS PROPRIETARY TO MOLEX ELECTRONIC TECHNOLOGIES, LLC AND SHOULD NOT BE USED WITHOUT WRITTEN PERMISSION																
	EC NO: 167392 DRWN: LSONG05 CHK'D: REV APPR: MVANSLAMBROU	2017/10/30	2017/10/31	GENERAL TOLERANCES (UNLESS SPECIFIED)		DIMENSION UNITS	SCALE										
				ANGULAR TOL ± 3.0 °		mm	1:1										
	4 PLACES ±		DRWN BY		DATE		MX150 1X2 BLADE SEALED ASSEMBLY MAT SEAL PRODUCT CUSTOMER DRAWING										
	3 PLACES ±		KCUNNINGHAM		2012/07/19												
	2 PLACES ± 0.1		CHK'D BY		DATE		SERIES: 33481 MATERIAL NUMBER: SEE BOM CUSTOMER: GENERAL MARKET										
	1 PLACE ± 0.2		MVANSLAMBROU		2017/10/18												
	0 PLACES ±		APPR BY		DATE		DOCUMENT NUMBER: SD-33481-021 DOC TYPE: PSD DOC PART: 001 SHEET NUMBER: 9 OF 9										
	DRAFT WHERE APPLICABLE MUST REMAIN WITHIN DIMENSIONS		VKOSHY		2012/07/19												
			DRAWING SIZE		THIRD ANGLE PROJECTION												
		D															