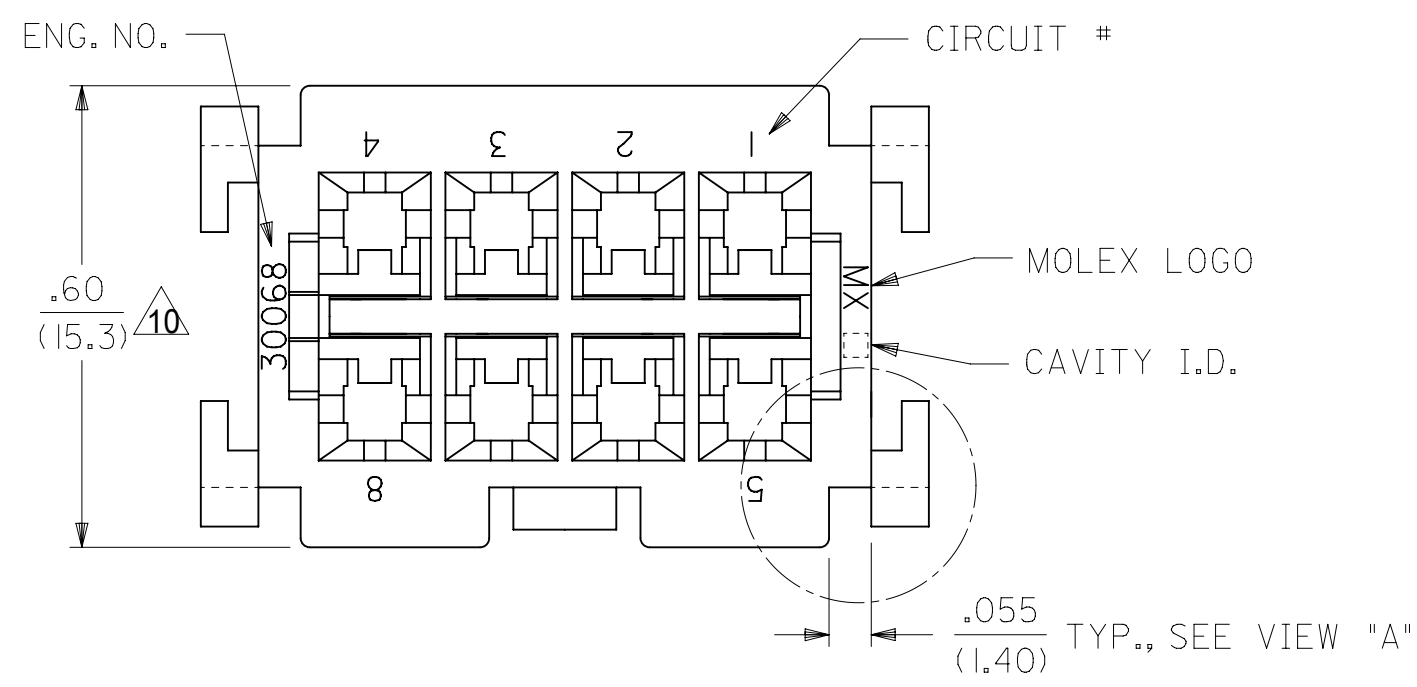
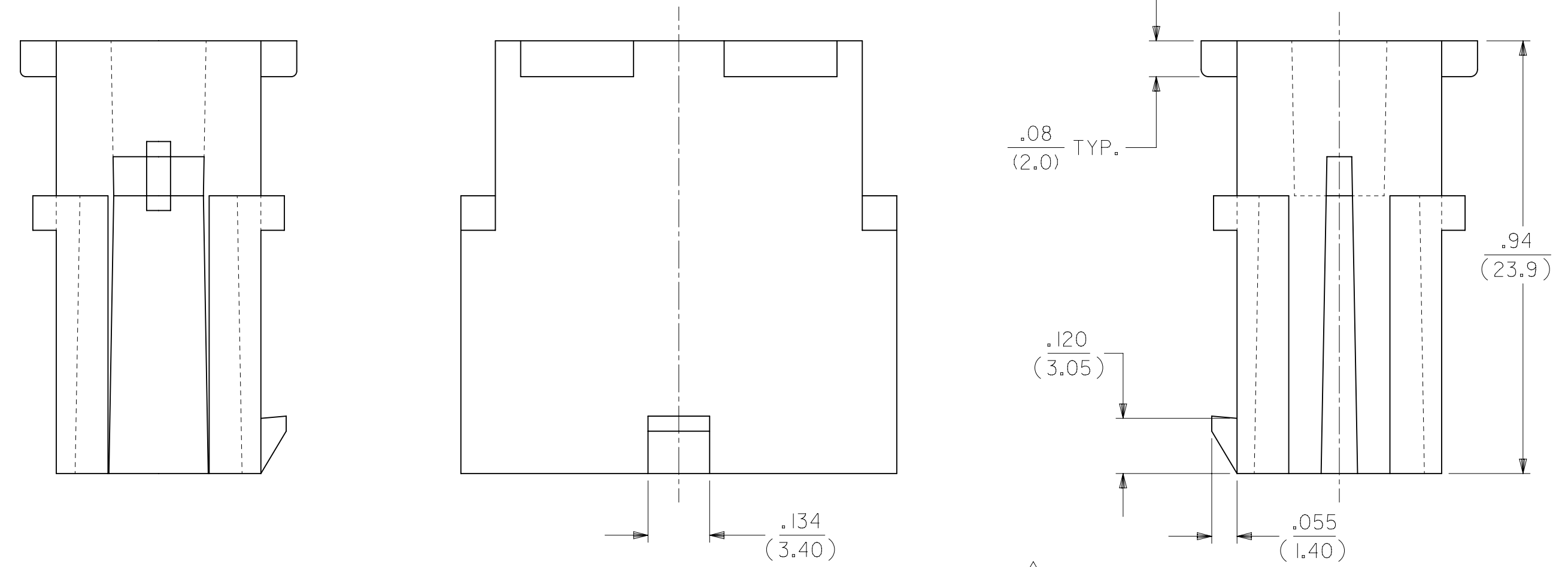


CKT. SIZE	ENG. NO.	EDP. NO.	DIM. "A" REF.	DIM. "B"
2	30068-2	15-97-6021	----	.467 (11.86)
4	30068-4	15-97-6041	.165 (4.20)	.467 (11.86)
6	30068-6	15-97-6061	.331 (8.40)	.633 (16.08)
8	30068-8	15-97-6081	.496 (12.60)	.798 (20.27)
10	30068-10	15-97-6101	.661 (16.80)	.963 (24.46)
14	30068-14	NOT TOOLED	.992 (25.20)	1.294 (32.87)
16	30068-16	15-97-6161	1.157 (29.40)	1.459 (37.06)



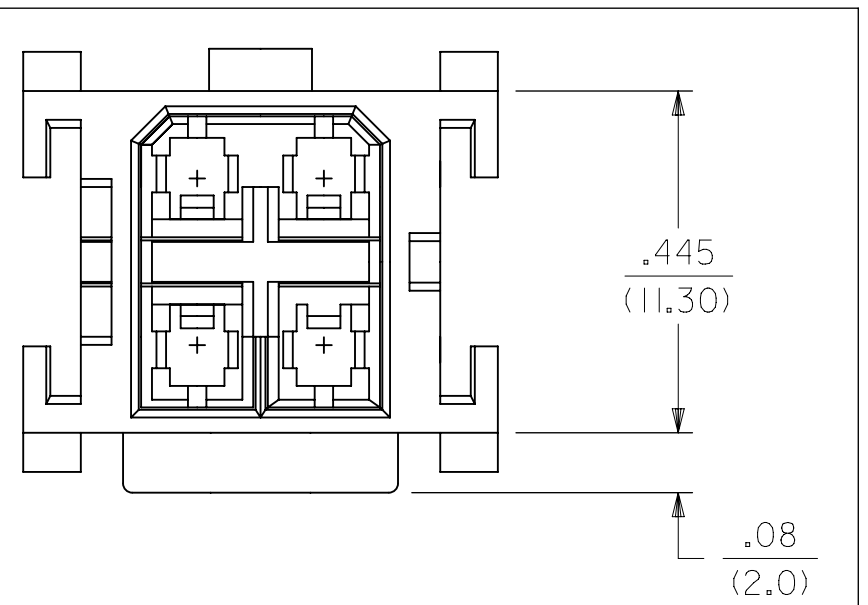
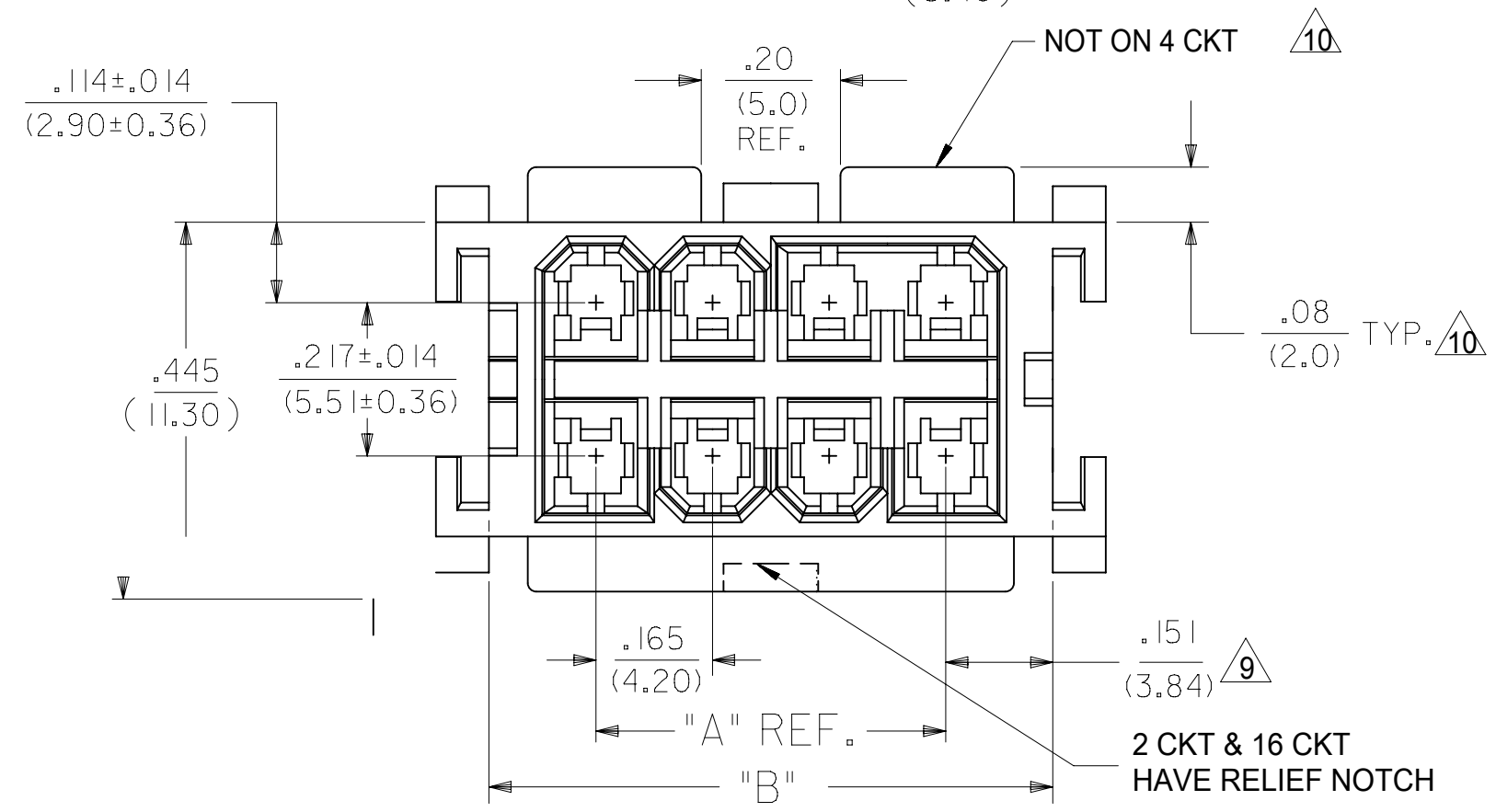
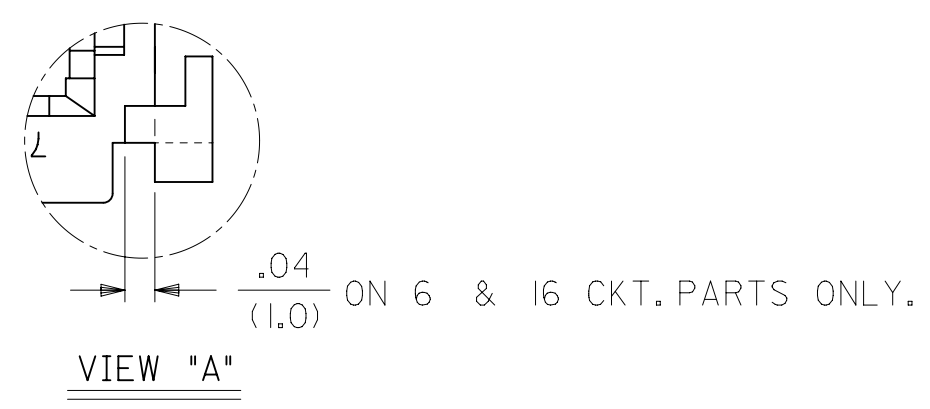
- NOTES:
1. MATERIAL: UNFILLED POLYESTER, U.L. 94V-0; COLOR: BLACK
 2. FINISH: N/A
 3. PRODUCT SPECIFICATION: PS-5556-003
 4. PACKAGING: BULK
 5. HOUSING TO BE USED WITH TERMINAL #5558.
 6. HOUSING MATES WITH RECEPTACLE #30067
 7. HOUSING TO BE USED WITH T.P.A. NO. 30072-*
 8. PART CONFORMS TO CLASS "B" REQUIREMENTS OF COSMETIC SPECIFICATION PS-45499-002.
 9. 15/3.84 DIMENSION IS .234/5.94 ON 2 CKT PARTS.
 10. SEE 4 CKT VIEW FOR 4 CKT PARTS



LEGEND:

30068 - *

CIRCUIT SIZE (2-16)

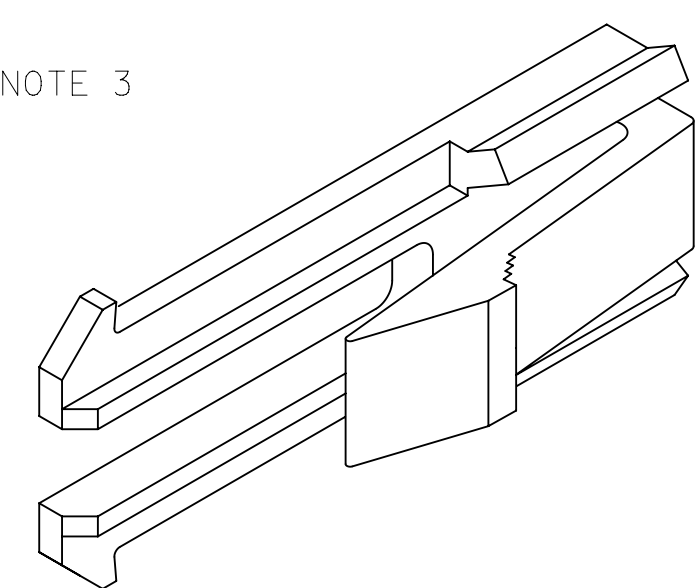
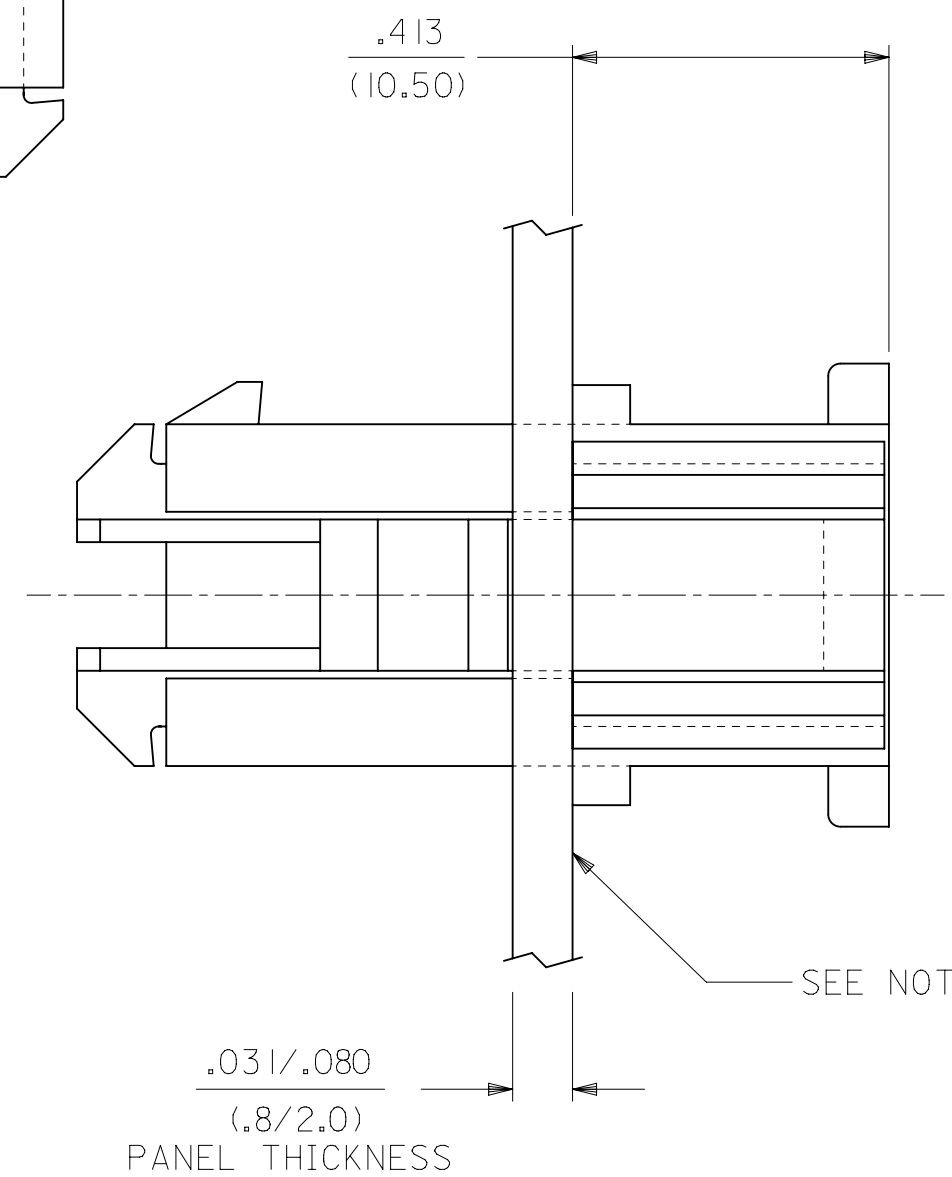
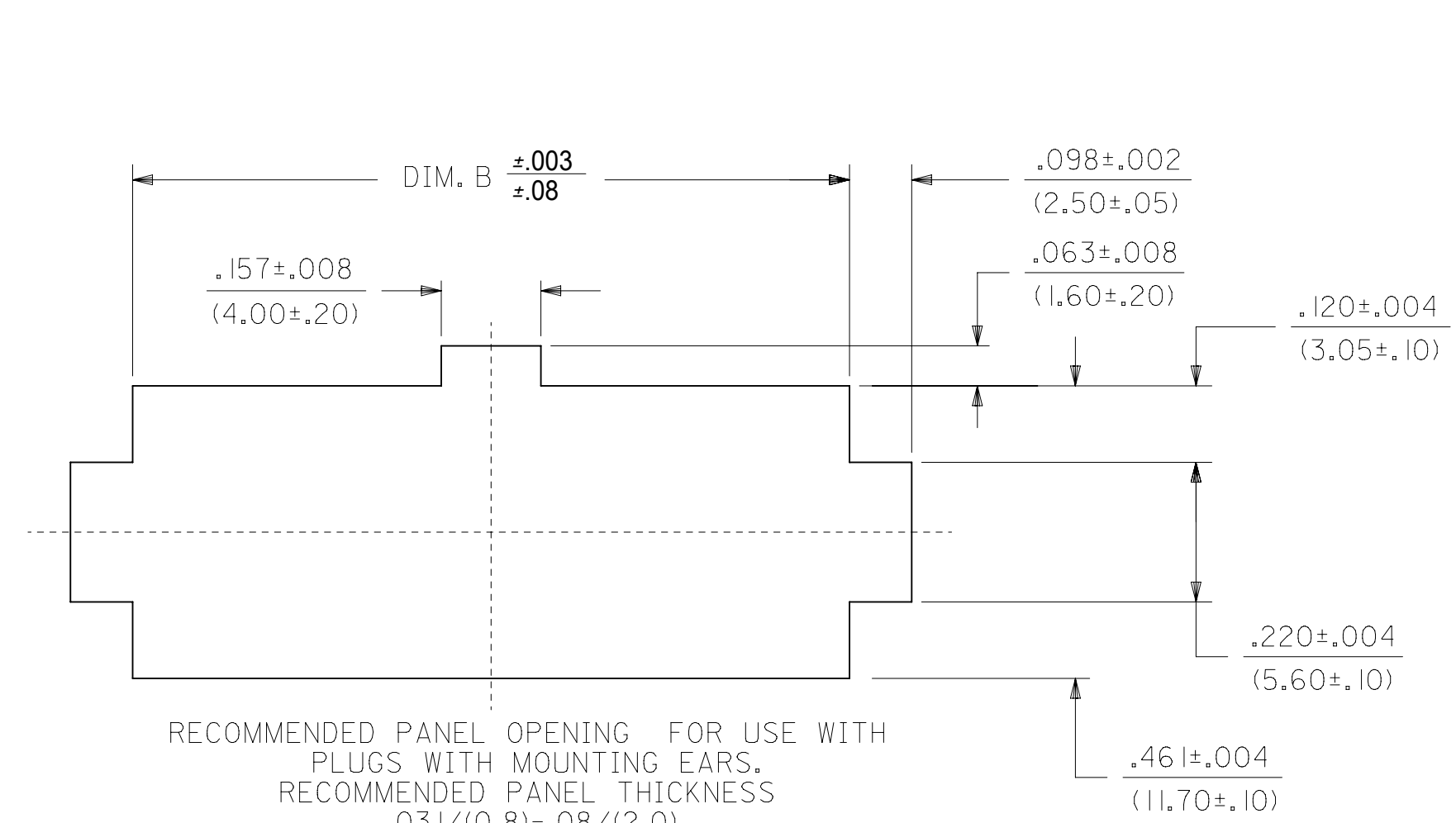
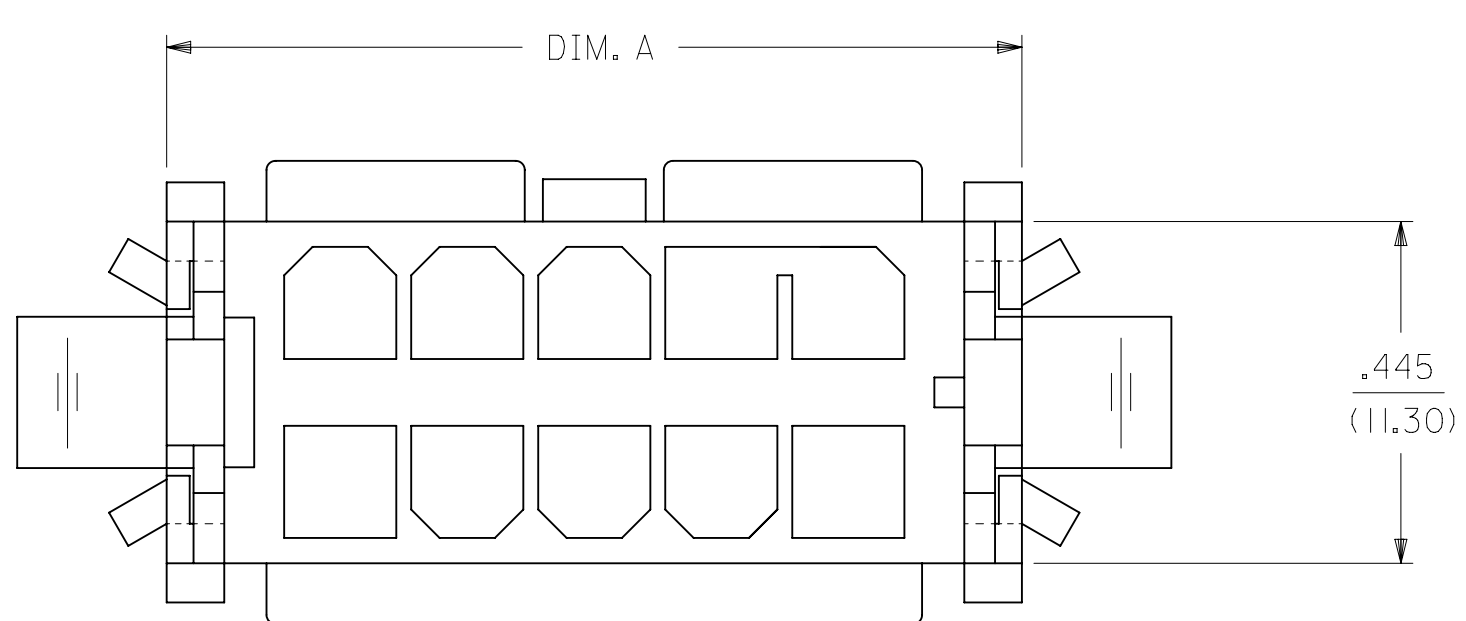
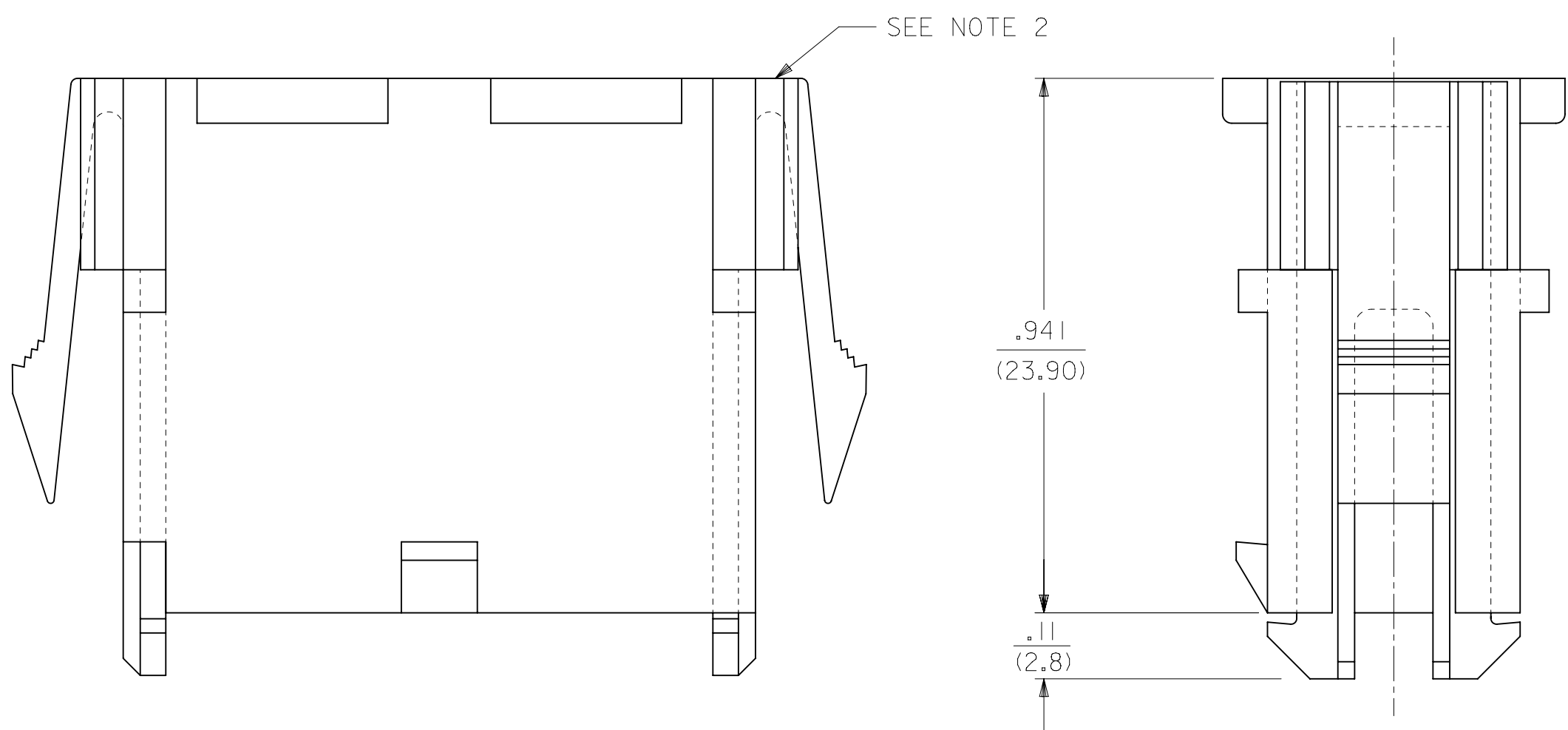


SEE SHT. #3 FOR PARTS WITH MOUNTING EARS

SYMBOLS		THIS DRAWING CONTAINS INFORMATION THAT IS PROPRIETARY TO MOLEX ELECTRONIC TECHNOLOGIES, LLC AND SHOULD NOT BE USED WITHOUT WRITTEN PERMISSION		CURRENT REV DESC: INITIAL RELEASE	
∇ = 0	IN/MM	SCALE	4:1	EC NO: 173061	
∇ = 0	GENERAL TOLERANCES (UNLESS SPECIFIED)		DRWN: AZAHIROVIC 2018/02/26		
∇ = 0	MM	INCH	±	±	2018/04/06
S = 0	4 PLACES	±	±	±	2018/04/13
∇ = 0	3 PLACES	±	±	±	0.01
∇ = 0	2 PLACES	±	0.25	±	0.014
∇ = 0	1 PLACE	±	0.36	±	
∇ = 0	0 PLACES	±	±	INITIAL REVISION:	
∇ = 0	ANGULAR TOL	±	0.5°	DRWN: DMF	1989/10/26
∇ = 0	DRAFT WHERE APPLICABLE MUST REMAIN WITHIN DIMENSIONS		THIRD ANGLE PROJECTION	APPR: FSMITH	2011/08/25
∇ = 0			DRAWING	SERIES	
		C-SIZE	30068	DOCUMENT NUMBER	
				300680000-SD	
				DOC TYPE	DOC PART
				PSD	000
				REVISION	
				A	
				MATERIAL NUMBER	CUSTOMER
				SEE CHART	GENERAL MARKET
				SHEET NUMBER	
				1 OF 2	

4 CIRCUIT VERSION

THIS DRAWING REPLACES DRAWING SD-30068-*



NUMBER OF CIRCUITS	DIM. A	DIM. B
2	.617 (15.67)	.634 (16.10)
4	.617 (15.67)	.634 (16.10)
6	.783 (19.89)	.799 (20.30)
8	.948 (24.08)	.965 (24.50)
10	1.113 (28.27)	1.130 (28.70)
12	1.279 (32.49)	1.295 (32.90)
14	1.444 (36.68)	1.461 (37.10)
16	1.609 (40.87)	1.626 (41.30)

- NOTES:**
- 1) MOUNTING EAR MATERIAL: UNFILLED POLYESTER, P.B.T., COLOR: BLACK.
 - 2) MOUNTING EARS TO BE INSERTED INTO SIDE SLOTS FROM BACK OF HOUSING.
 - 3) HOUSING ASSEMBLY TO BE INSERTED FROM PUNCH SIDE OF PANEL.
 - 4) REFER TO DRAWING **SD-43130-0001** MOUNTING EAR INFORMATION

THIS DRAWING CONTAINS INFORMATION THAT IS PROPRIETARY TO MOLEX ELECTRONIC TECHNOLOGIES, LLC AND SHOULD NOT BE USED WITHOUT WRITTEN PERMISSION															
SYMBOLS		DIMENSION UNITS		SCALE		CURRENT REV DESC: INITIAL RELEASE									
= 0		IN/MM		4:1		molex MINI FIT TPA PLUG HSG 2 THRU 16 CIRCUITS WITH OR W/O MTG EARS PRODUCT CUSTOMER DRAWING									
= 0		GENERAL TOLERANCES (UNLESS SPECIFIED)										EC NO: 173061		2018/02/26	
= 0		MM		INCH								DRWN: AZAHIROVIC		2018/04/06	
= 0		±		±								CHK'D: JBELL		2018/04/13	
= 0		4 PLACES ±		±		APPR: FSMITH		2018/04/13		DOCUMENT NUMBER					
= 0		3 PLACES ±		± 0.01		INITIAL REVISION:		1989/10/26		DOC TYPE					
= 0		2 PLACES ±		± 0.014		DRWN: DMF		2011/08/25		DOC PART					
= 0		1 PLACE ±		± 0.36		APPR: FSMITH		2011/08/25		REVISION					
= 0		0 PLACES ±		±		ANGULAR TOL ± 0.5°		THIRD ANGLE PROJECTION		SERIES					
= 0		DRAFT WHERE APPLICABLE MUST REMAIN WITHIN DIMENSIONS		DRAWING		C-SIZE		30068		MATERIAL NUMBER					
= 0		SEE CHART		GENERAL MARKET		2 OF 2		CUSTOMER		SHEET NUMBER					