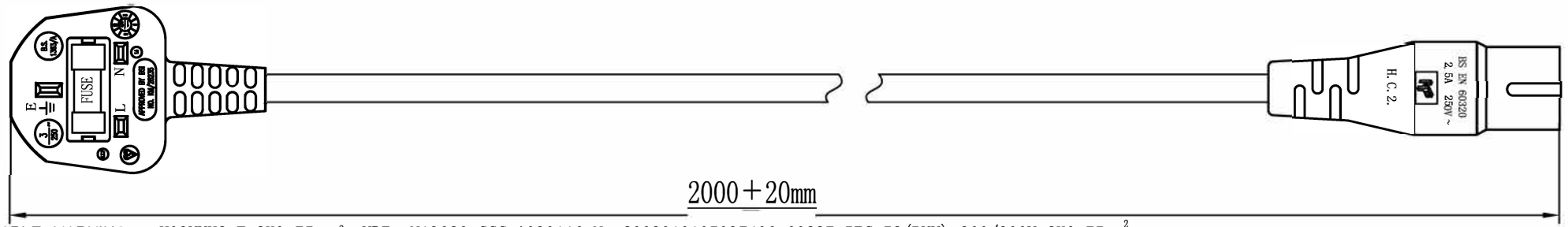
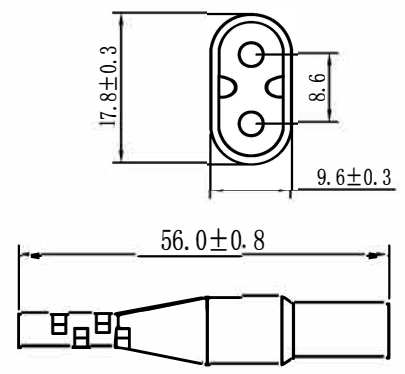
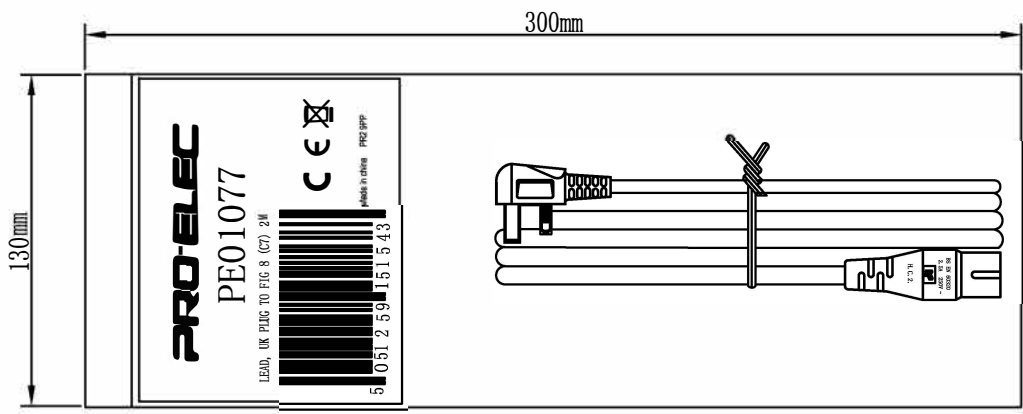


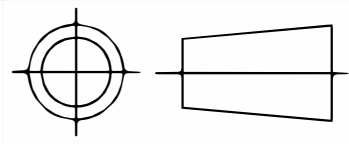
REVISION			
SYM	DESCRIPTION	DATE	APPROVAL



CABLE MARKING: H03VVH2-F 2X0.75mm² VDE N19626 CCC A030116 No. 2003010105097406 60227 IEC 52(RVV) 300/300V 2X0.75mm²

CABLE COLOR: BLACK

Note : cable is 6A rated



CUSTOMER NAME:	---	UNLESS SPECIFIED ALL DIMENSIONS ARE IN MM TOLERANCE ON:	SHEET:	1 OF 1	DWG SIZE:	A4
		FRACTION: DECIMALS: +/-0.10 ANGLE:	SCALE:	N. T. S	ISSUE NO:	A
		CUSTOMER ORDER NO:	DRAWER:	DATE:	2019-3-30	
QTY REQ'D PER UNIT:	1	CUST PART NO:	PL13342	REVIEW:	DATE:	
		DRAWING NO:		APPROVAL:	DATE:	
		MODEL NO:				