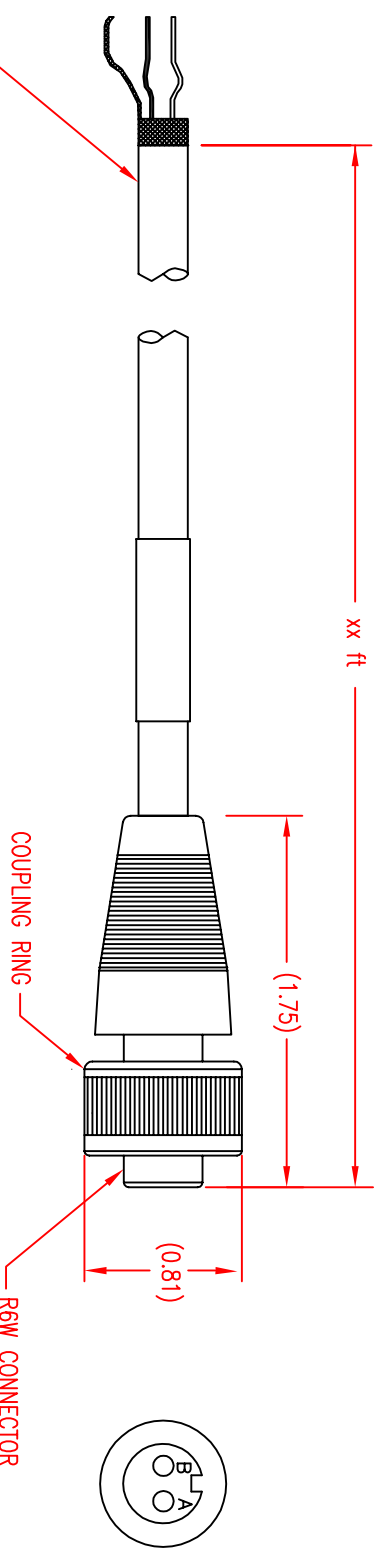


NOTES:
1. CABLE ASSEMBLY RATED IP67.



J9172A CABLE
SHIELDED, TWISTED PAIR
O.D. _____ .190 inches
JACKET COLOR _____ BRIGHT YELLOW
MINIMUM BEND RADIUS _____ 2 inches
WORKING TEMP RANGE _____ -80° TO 200°C
MUTUAL CAPACITANCE (@1KHz) _____ 27 ±3 pF/ft
PIN A _____ WHITE
PIN B _____ BLACK
NO CONTACT AT SENSOR _____ SHIELD (GREY)

R6W CONNECTOR
2-socket MIL-C-5015
COUPLING THREAD _____ 5/8-24 UNEF-2B
CONNECTOR MATERIAL _____ SANTOPRENE
WORKING TEMP RANGE _____ -50° TO 125°C

REV	DESCRIPTION	DATE	APPROVED
01	PRELIMINARY ISSUE	12/09/16	

REV NO. **R6W-0-J9172A-xx**
01

EXPORT CONTROLLED
THIS DOCUMENT CONTAINS TECHNICAL DATA AS DEFINED BY U.S. EXPORT REGULATIONS AND IS SUBJECT TO THE EXPORT CONTROL LAWS OF THE U.S. GOVERNMENT. CONTACT WILCOXON SENSING TECHNOLOGIES TO OBTAIN SPECIFIC EXPORT CONTROL CLASSIFICATION.

PROPRIETARY

THIS DOCUMENT IS ISSUED IN STRICT CONFIDENCE ON CONDITION THAT IT IS NOT COPIED, REPRINTED, OR DISCLOSED TO A THIRD PARTY EITHER WHOLLY OR IN PART WITHOUT PRIOR WRITTEN CONSENT OF WILCOXON SENSING TECHNOLOGIES.

UNLESS OTHERWISE SPECIFIED, DIMENSIONS ARE IN INCHES.

APPROVALS	DATE
DR	
ENG	
QA	
MGR	

WILCOXON
S E N S I N G T E C H N O L O G I E S
20511 Sargent Meadows Drive
Cedarfield, MD 20878 USA

CABLE INSTALLATION DRAWING

DO NOT SCALE DRAWING
TOLERANCES:
.XX = ± .01
X = ± .5
XXX = ± .005

SCALE	NONE
SCALE	NONE

DATE CODE	IMP. NO.	REV
53126	R6W-0-J9172A-xx	01

A

B

C

D