

- NOTES: (UNLESS OTHERWISE SPECIFIED)
1. MATERIAL: COPPER ALLOY
 2. PLATING: SEE TABLE 1
 3. PACKAGING PER PK-31301-319
 4. CRIMPING PER AS-560023-001
 5. PROBING THE CONTACT INTERFACE OF THE TERMINAL OR AT ANY POINT ON THE TERMINAL BEAM IS NOT PERMITTED
 6. -0422, -0424 TO BE DISCONTINUED AND REPLACED WITH -0444, -0445
-0444, -0445 VALIDATED TO USCAR21 REV3
SECTIONS 4.3, 4.4, & 4.5.2.

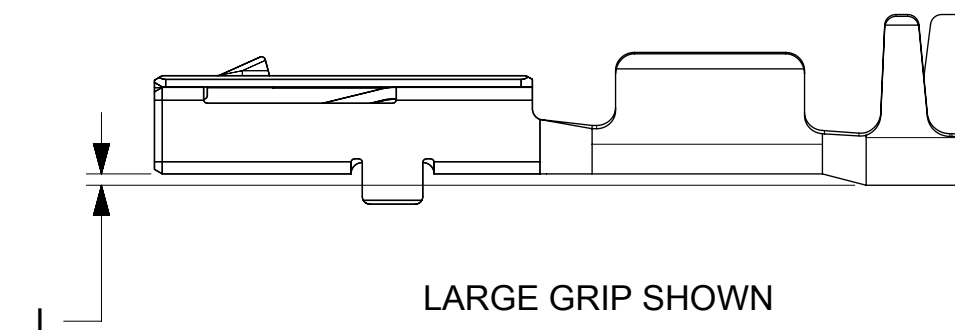
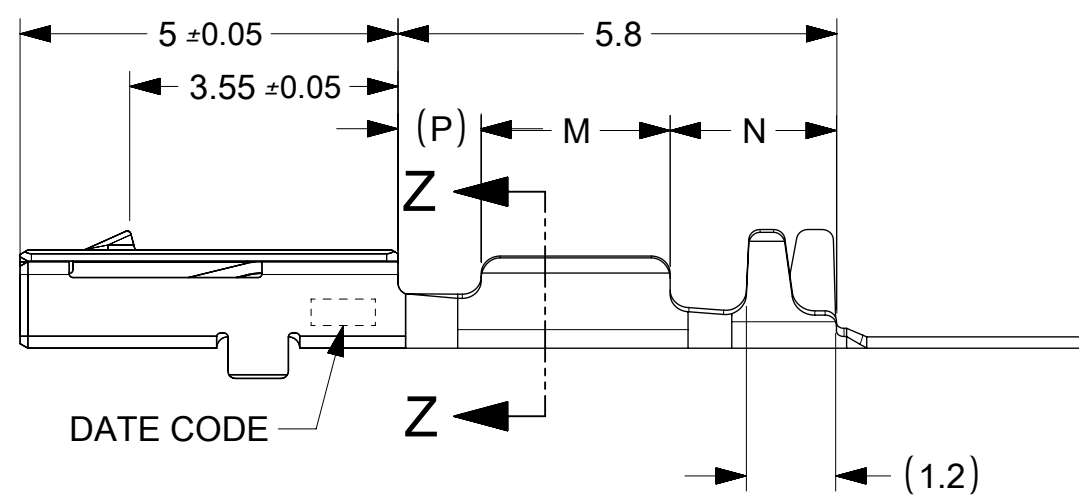
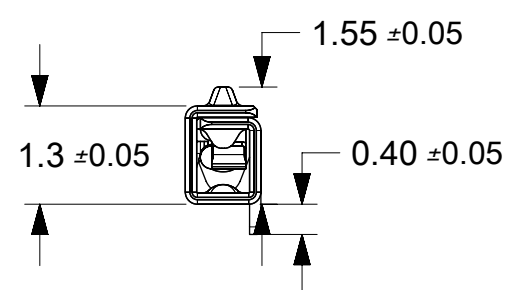


TABLE 1

PART NUMBERS		Plating	STATUS	GRIP CODE	WIRE GAGE mm ²	INSULATION MAX O.D. mm	DIM G	DIM H	DIM J	DIM K	DIM L	DIM M	DIM N	DIM P
D-WIND (LEFT PAYOFF) DEFAULT	B-WIND (RIGHT PAYOFF)						+0.20 -0.15	±0.20	±0.10	±0.20	±0.05	±0.10	±0.10	REF
560023-0421	560023-0423	Sn	SALEABLE	M	0.22	1.20	1.65	2.25	0.45	0.47	0.00	2.00	2.4	1.4
560023-0422*	560023-0424*	Sn		S	0.13	1.05	1.27	1.90	0.34	0.41	0.00	2.00	2.4	1.4
560023-0444	560023-0445	Sn		S	0.13	1.05	1.32	1.90	0.24	0.41	0.00	2.50	2.2	1.1
560023-0448	560023-0450	Sn	IN VALIDATION	L	0.35	1.40	1.65	2.35	0.40	0.68	0.15	2.50	2.2	1.1
560023-0521	560023-0523	Au		M	0.22	1.20	1.65	2.25	0.45	0.47	0.00	2.00	2.4	1.4
560023-0544	560023-0545	Au		S	0.13	1.05	1.32	1.90	0.24	0.41	0.00	2.50	2.2	1.1
560023-0548	560023-0550	Au	SALEABLE	L	0.35	1.40	1.65	2.35	0.40	0.68	0.15	2.50	2.2	1.1

*SMALL GRIP CHANGE (SEE NOTE 6)

THIS DRAWING CONTAINS INFORMATION THAT IS PROPRIETARY TO MOLEX ELECTRONIC TECHNOLOGIES, LLC AND SHOULD NOT BE USED WITHOUT WRITTEN PERMISSION

QUALITY SYMBOLS	EC DESCRIPTION	GENERAL TOLERANCES (UNLESS SPECIFIED)		DIMENSION UNITS		SCALE
		MM	INCH	mm	INCH	15:1
▽ = 0	EC NO: 177678 DRWN: NVENKATESHSH CHKD: TOMSMITH APPR: TOMSMITH 2018/06/05 2018/06/07 2018/06/07	4 PLACES ± --- ± ---		DRWN BY		DATE
▽ = 0		3 PLACES ± --- ± ---		TJSMITH		2009/05/02
▽ = 1		2 PLACES ± 0.10 ± ---		CHK'D BY		DATE
▼ = 0		1 PLACES ± 0.10 ± ---		DNICHOLAS		2009/05/20
▽ = 0		0 PLACES ± --- ± ---		APPR BY		DATE
☒ = 0		ANGULAR TOL = 5		BMOSER		2009/05/20
■ = 0	DRAFT WHERE APPLICABLE MUST REMAIN WITHIN DIMENSIONS		DRAWING SIZE		THIRD ANGLE PROJECTION	
▽ = 0	A	C				

CTX50 RECEPTACLE TERMINAL UNSEALED RSD

PRODUCT CUSTOMER DRAWING

SERIES	MATERIAL NUMBER	CUSTOMER
560023	SEE TABLE	NIO
DOCUMENT NUMBER	DOC TYPE	DOC PART
5600230001	PSD	000
SHEET NUMBER	1 OF 1	

