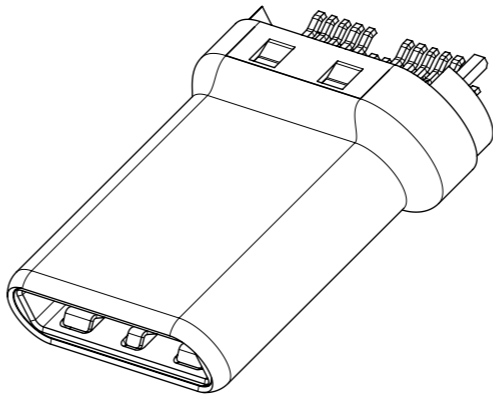


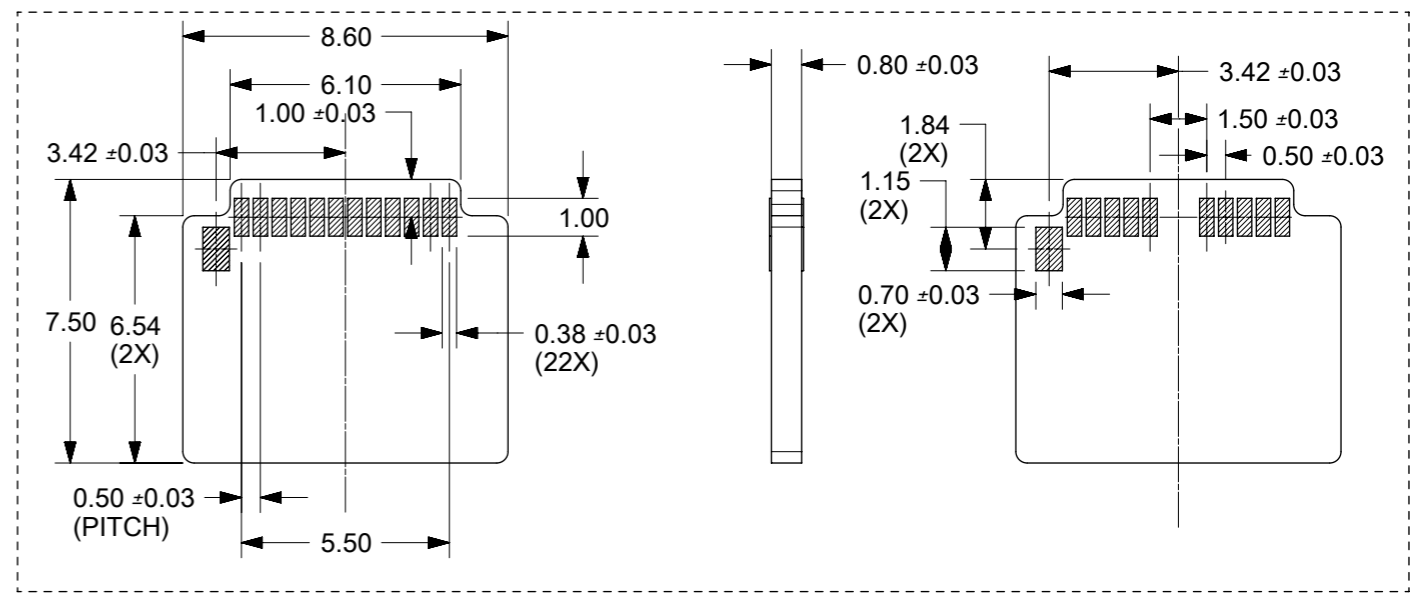
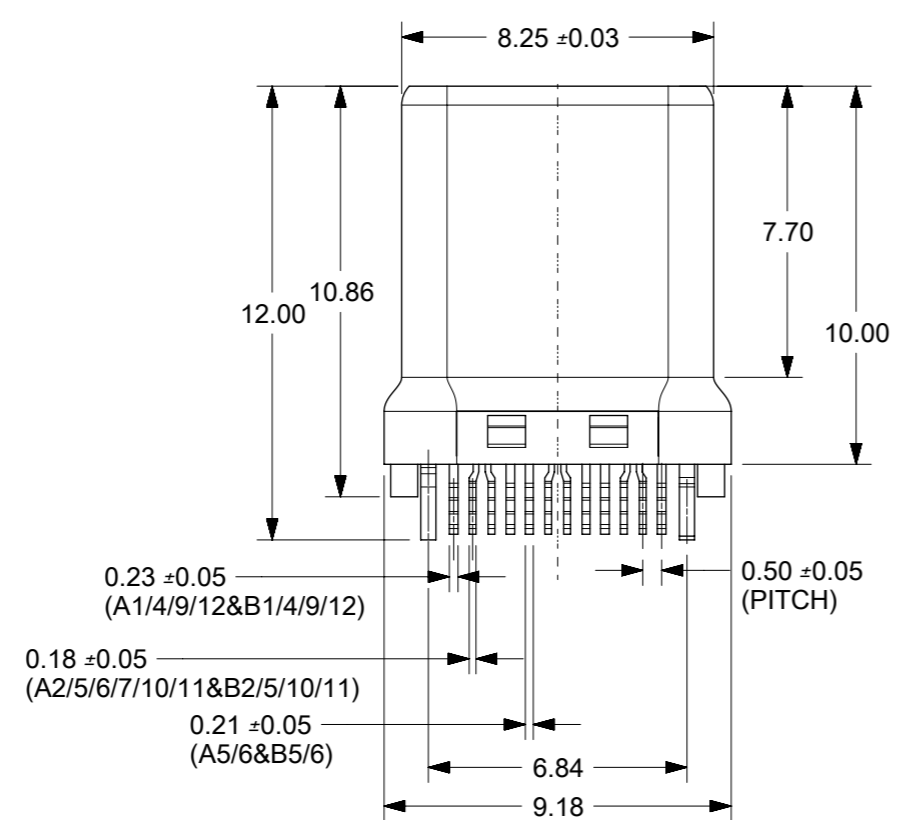
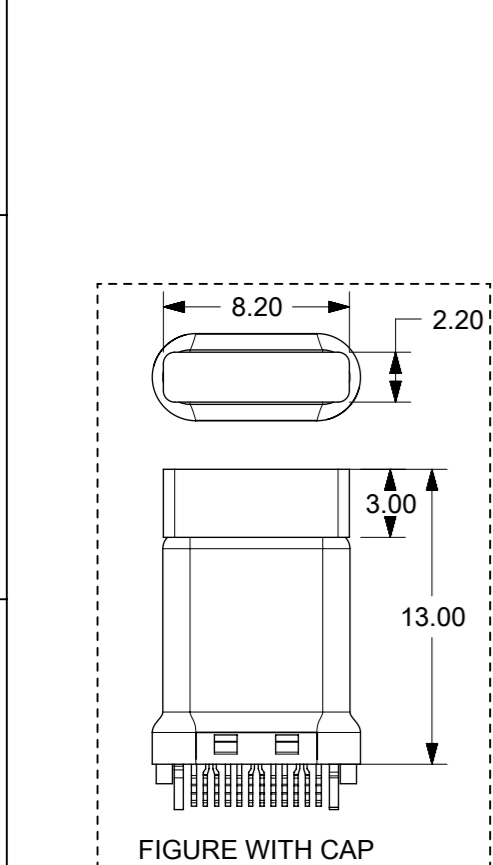
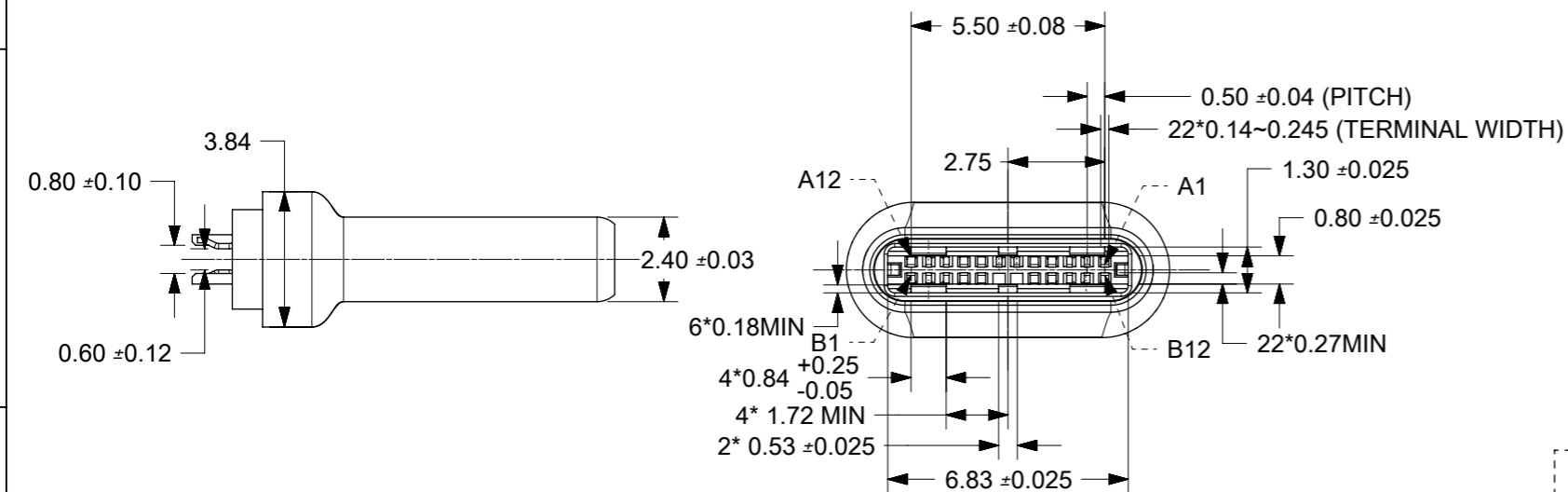
PIN ASSIGNMENT

A12	A11	A10	A9	A8	A7	A6	A5	A4	A3	A2	A1
GND	RX2+	RX2-	Vbus	Sbu1	D-	D+	CC	Vbus	TX1-	TX1+	GND
GND	TX2+	TX2-	Vbus	Vconn			Sbu2	VbuS	RX1-	RX1+	GND
B1	B2	B3	B4	B5			B8	B9	B10	B11	B12



NOTES:

- MATERIAL:
 - HOUSING: THERMOPLASTIC, UL94-V0; COLOR:BLACK;
 - INSERT MOLDING HOUSING: THERMOPLASTIC, UL94-V0;COLOR:BLACK;
 - TERMINAL: COPPER ALLOY;
 - OUTTER SHELL:STAINLESS STEEL;
 - FRONT SPRING::STAINLESS STEEL;
 - MIDDLE LATCH:STAINLESS STEEL;
 - ISOLATED LAYER:MYLAR;
- FINISH:
 - TERMINAL:
 - 80 MICROINCH MIN. NICKEL UNDERPLATING OVERALL,
 - 120 MICROINCH MIN. TIN PLATING ON SOLDERING AREA;;
 - PLEASE REFER TO TABLE FOR CONTACT AREA PLATING;
 - OUTTER SHELL:
 - 50 MICROINCH MIN. BRIGHT NICKEL UNDERPLATING OVERALL,
 - FRONT SPRING:
 - 50 MICROINCH MIN. NICKEL UNDERPLATING OVERALL;
 - MIDDLE LATCH:
 - 50 MICROINCH MIN. NICKEL UNDERPLATING OVERALL;
- PRODUCT SPECIFICATION:1054440001
- PACKAGE SPECIFICATION:1054440001(PACKAGE WIHT TRARY)
- PACKAGE SPECIFICATION:1054441001(PACKAGE WIHT TAPE AND REEL)



RECOMMENDED PCB LAYOUT
(DEFAULT TOLERANCE :+/-0.05)

PART NUMBER	PLATING ON TERMINAL CONTACT AREA	PACAGE TYPE
1054440001	30 MICROINCH MIN. GOLD PLATING	TRAY
1054440101	GOLD FLASH OVER 30MICROINCH PbNi	
1054440201	15 MICROINCH MIN. GOLD PLATING	TAPE AND REEL
1054440011	30 MICROINCH MIN. GOLD PLATING	
1054440111	GOLD FLASH OVER 30MICROINCH PbNi	
1054440211	15 MICROINCH MIN. GOLD PLATING	

THIS DRAWING CONTAINS INFORMATION THAT IS PROPRIETARY TO MOLEX ELECTRONIC TECHNOLOGIES, LLC AND SHOULD NOT BE USED WITHOUT WRITTEN PERMISSION

RELEASED	EC NO: 102278	DRWN: FYANG05	CHK'D: RZHANG	APP: RZHANG	DATE: 2015/12/28	DATE: 2016/04/26	DATE: 2016/04/26	GENERAL TOLERANCES (UNLESS SPECIFIED)	DIMENSION UNITS	SCALE	molex [®]	USB C PLUG,SPLINT	
	4 PLACES	±	mm	8:1									
	3 PLACES	± 0.05	ANGULAR TOL ± 1.0 °	DRWN BY	DATE	FYANG05	2015/11/26						
	2 PLACES	± 0.25	1 PLACE	± 0.25	0 PLACES	±	CHK'D BY	DATE	RZHANG	2015/12/02			
DRAFT WHERE APPLICABLE MUST REMAIN WITHIN DIMENSIONS		DRAWING SIZE	THIRD ANGLE PROJECTION	PRODUCT CUSTOMER DRAWING		SERIES	MATERIAL NUMBER	CUSTOMER	105444 SEE TABLE				
		A3		DOCUMENT NUMBER		105444	1054440001	DOC TYPE	DOC PART	SHEET NUMBER	PSD	SM	1 OF 1