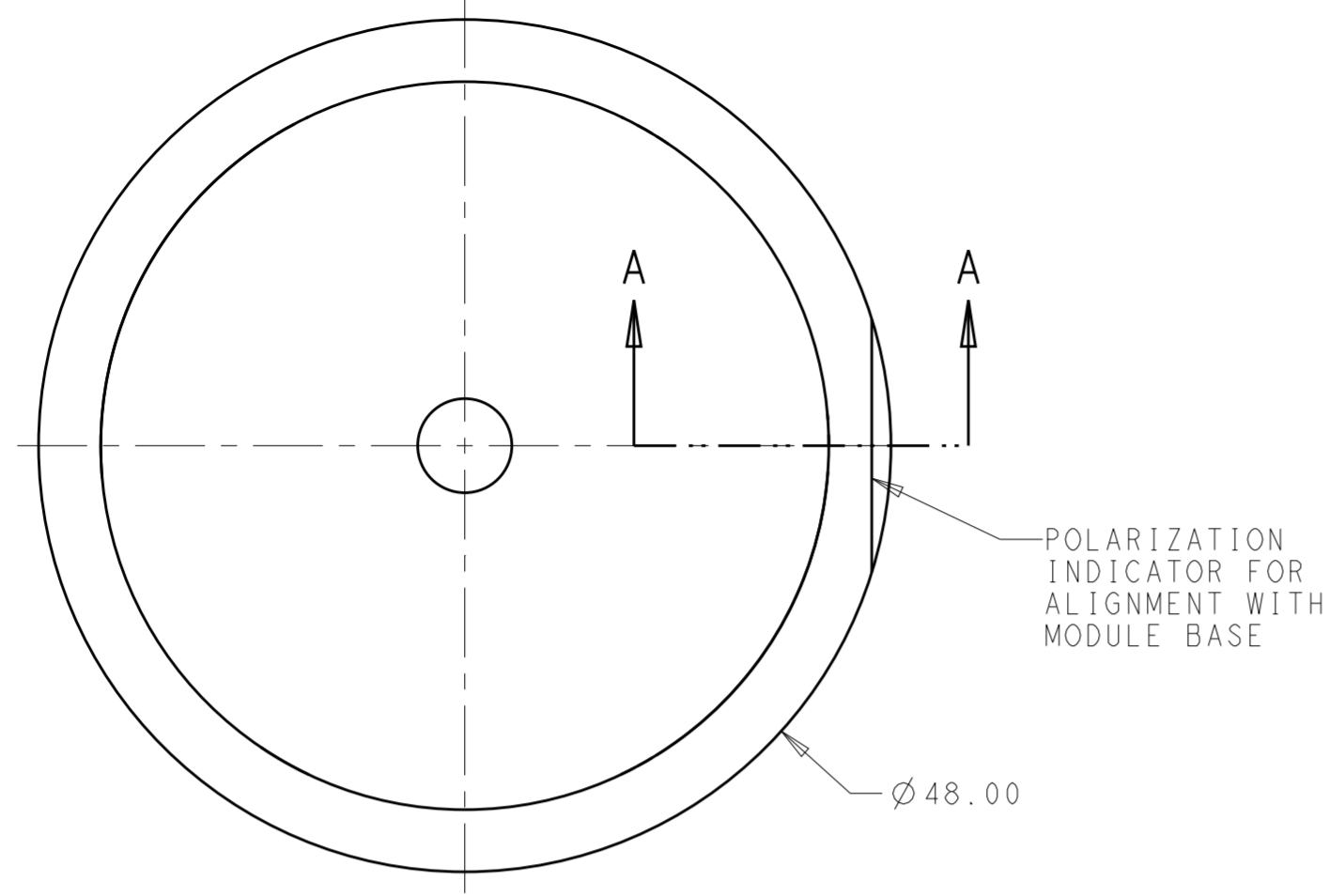


THIS DRAWING IS UNPUBLISHED. RELEASED FOR PUBLICATION
 © COPYRIGHT copyright.d8te- ALL RIGHTS RESERVED.

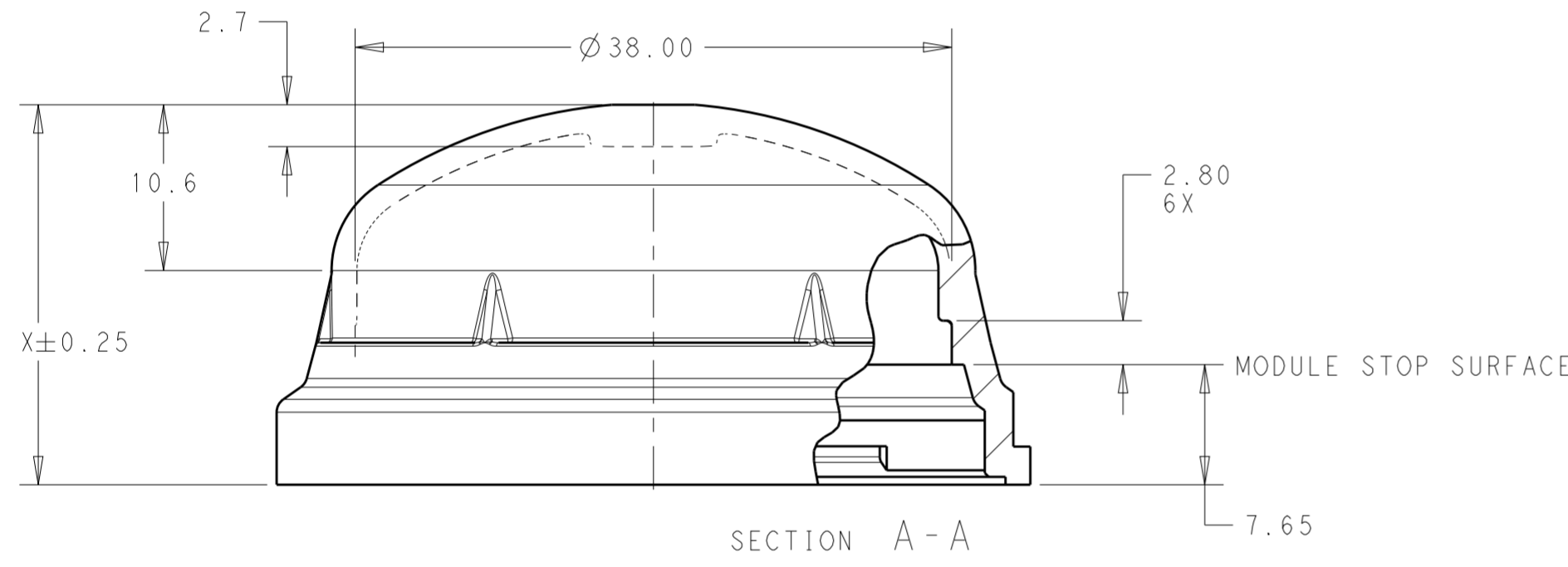
REVISIONS					
P	LTR	DESCRIPTION	DATE	DWN	APVD
1		PROPOSED	10JAN2018	CD	MM
2		UPDATED	31JAN2018	CD	EH
3		REVISED PER ECR-18-017862	22NOV2018	SR	DD

- 1. MATERIAL:
-POLYCARBONATE COLOR: SEE TABLE
- 2. MUST COMPLY WITH DIRECTIVE 2002/95/EC (ROHS)
- 3. THIS PRODUCT HAS NOT COMPLETED VALIDATION TESTING
- 4. MODULE BASE TE P/N: 2213837-1

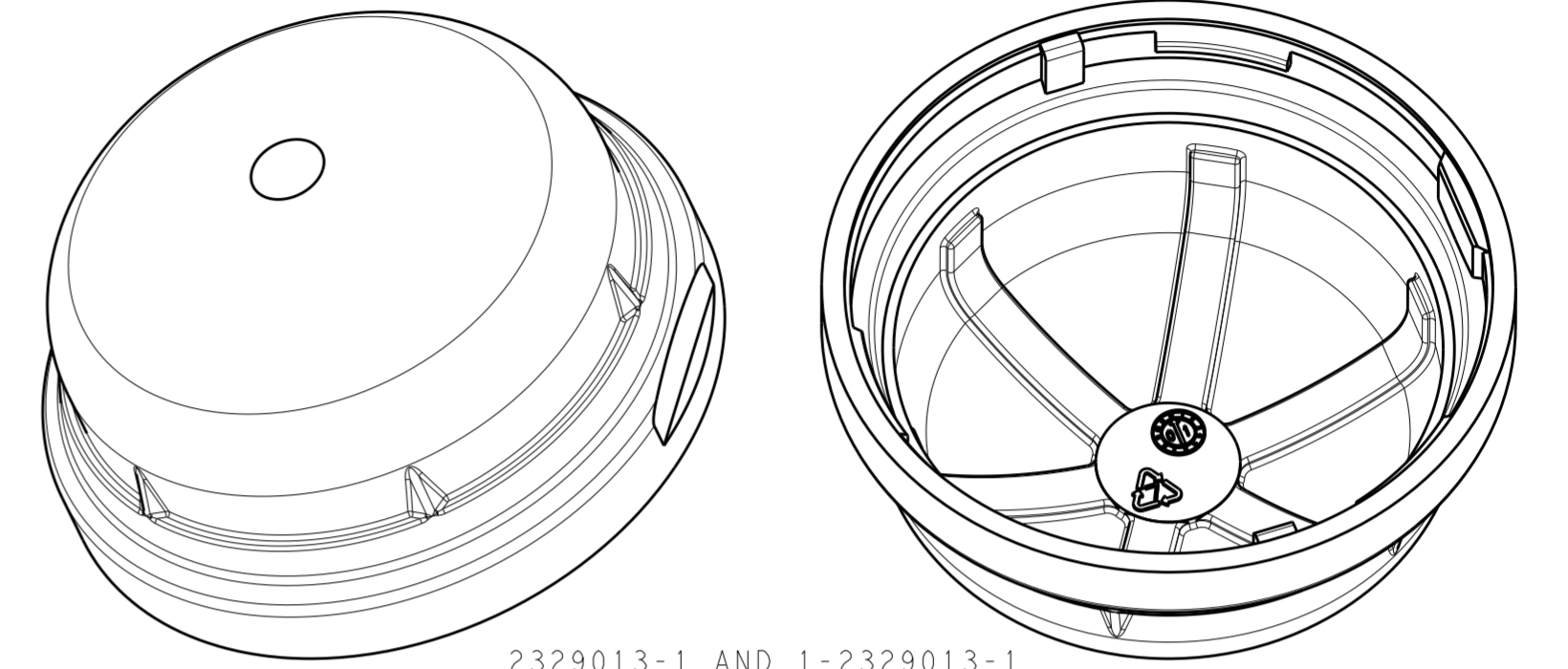


POLARIZATION INDICATOR FOR ALIGNMENT WITH MODULE BASE

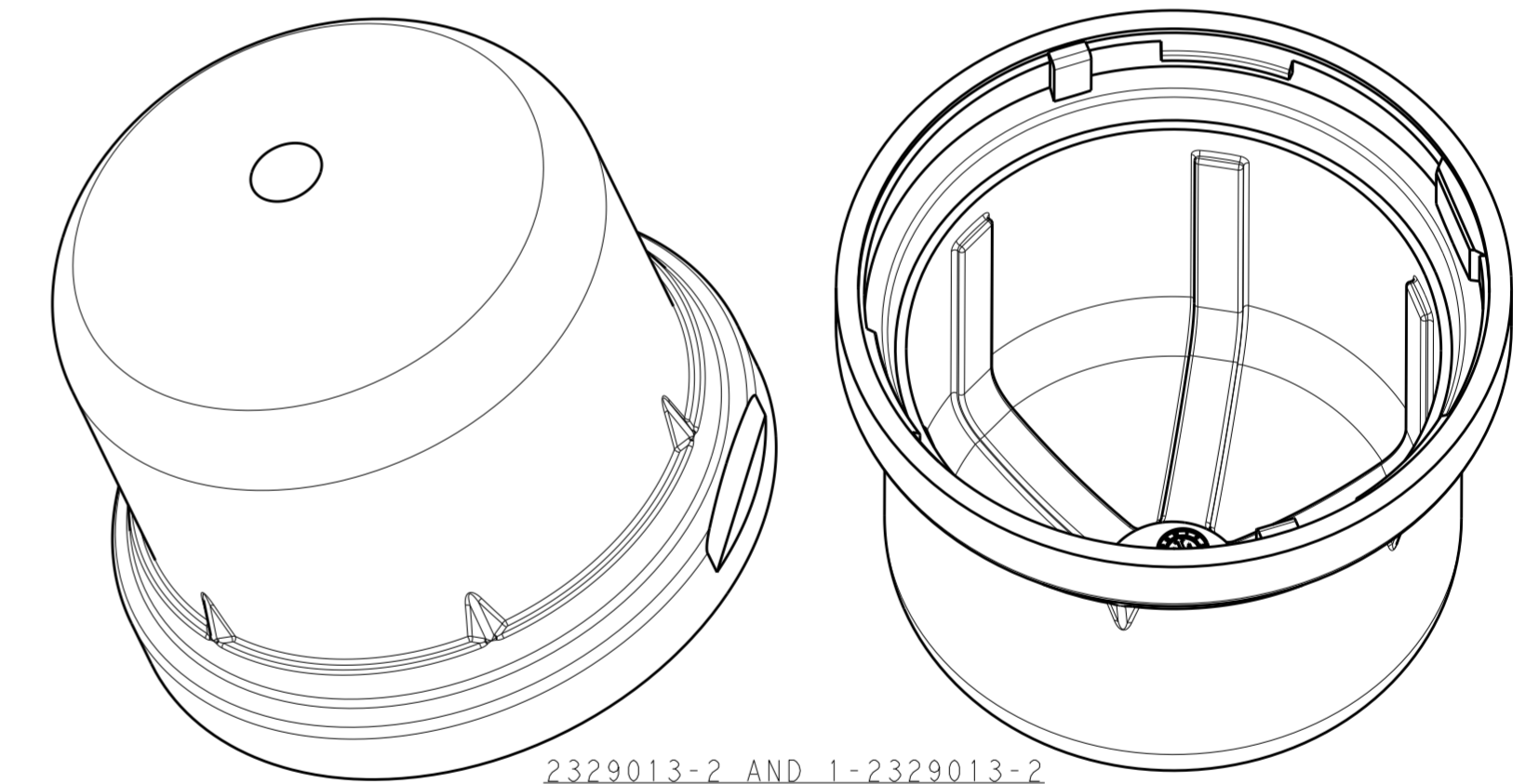
Ø48.00



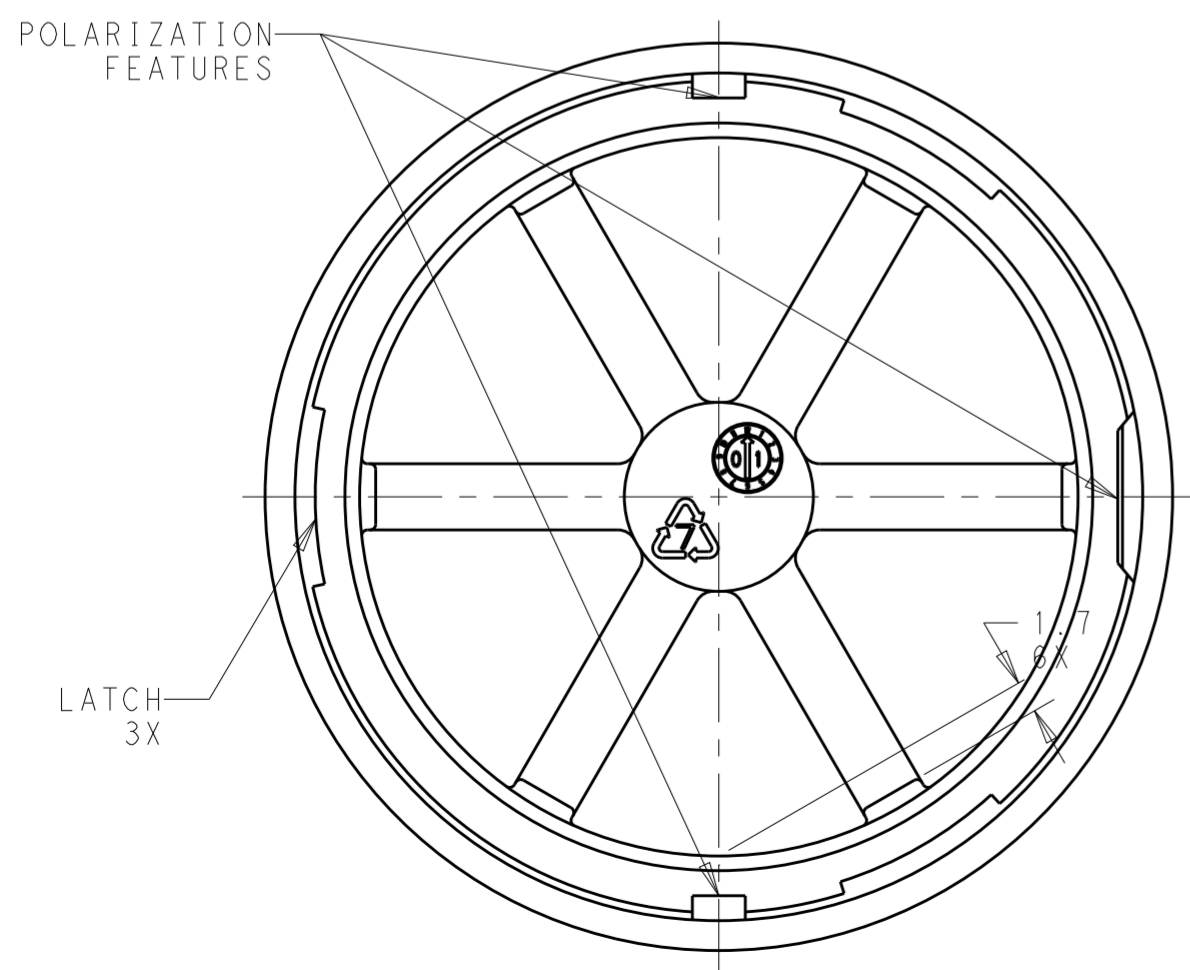
SECTION A-A



2329013-1 AND 1-2329013-1 SHOWN SCALE 2:1



2329013-2 AND 1-2329013-2 SHOWN SCALE 2:1



APPROX. LIGHT TRANSMISSION	COLOR	DIM X	PART NO.
78	TRANSPARENT CLEAR	39.25	1-2329013-2
78	TRANSPARENT CLEAR	24.25	1-2329013-1
24	TRANSPARENT SMOKE	39.25	2329013-2
24	TRANSPARENT SMOKE	24.25	2329013-1

THIS DRAWING IS A CONTROLLED DOCUMENT.		DWN C. DAILY 10JAN2018	STE TE Connectivity		
		CHK M. STOLLER 10JAN2018			
DIMENSIONS: mm		TOLERANCES UNLESS OTHERWISE SPECIFIED:		NAME DOME, LUMAWISE ENDURANCE S, 40mm	
0 PLC ±		1 PLC ±0.2		PRODUCT SPEC 108-133073	
2 PLC ±0.10		3 PLC ±		APPLICATION SPEC 114-133074	
4 PLC ±		ANGLES ±1°		SIZE CAGE CODE DRAWING NO	
MATERIAL SEE TABLE		FINISH		A200779 C-2329013	
				RESTRICTED TO	
		CUSTOMER DRAWING		SCALE 5:2 SHEET 1 OF 1 REV A	