

MATERIAL: COPPER
 PLATING: ELECTRO TIN

WIRE SIZE: 16-14 AWG

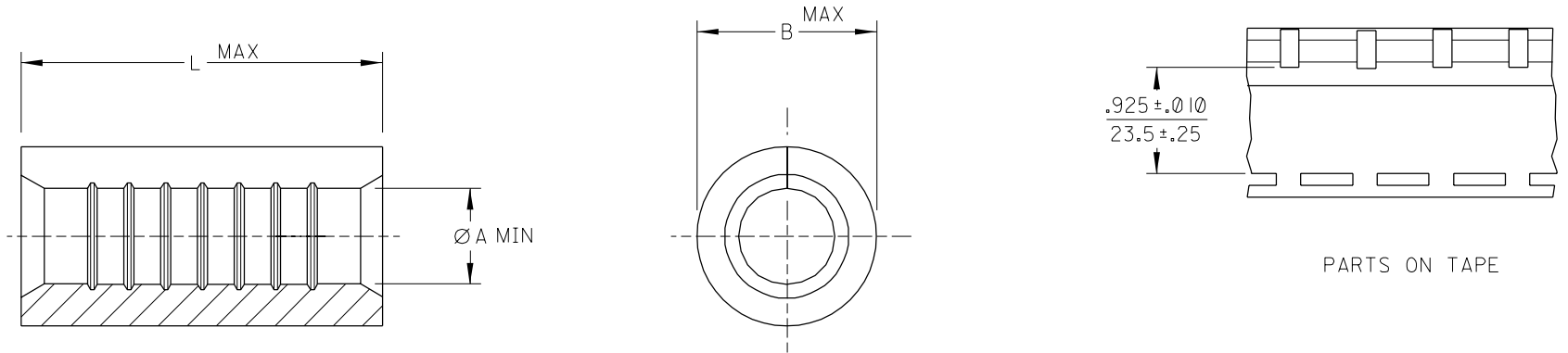
ETC INCORPORATED
 CLEVELAND, OHIO

TITLE:
 KRIMPTITE PARALLEL
 SPLICE

DIMENSIONAL TOLERANCE UNLESS OTHERWISE SPECIFIED		
FRAC.	DEC.	ANG.
±	±	±

REVISION	SCALE: \sim	DATE
	DRWN. BY: JTK	3-24-71
	CHKD. BY:	
	APPRD. BY:	
	DRAWING NO.: B-104	

MATERIAL NUMBER	ALTERNATE NUMBER	"L" MAX	"A" MIN.	"B" MAX	PACKAGING
192080001	B-104	.340 (8.60)	.084 (2.10)	.165 (4.20)	LOOSE PIECE
192080002	C-103	.330 (8.40)	.128 (3.30)	.230 (5.80)	
192080003	C-103T	.330 (8.40)	.128 (3.30)	.230 (5.80)	TAPE MOUNTED



SALES DRAWING

NOTES:
 1. MATERIAL: COPPER.
 2. PLATING: ELECTRO-TIN.
 3. ALL DIMENSIONS IN INCHES/(MM).

NEW RELEASE EC NO.: ETC2002-0225 DRWN: BRE 02/01/30 CHK: HEB 02/01/30 APPR: RWD 02/01/30	QUALITY SYMBOLS MAJOR $\nabla = 0$ CRITICAL $\nabla C = 0$	GENERAL TOLERANCES: (UNLESS SPECIFIED)		SCALE : <input type="checkbox"/> mm <input checked="" type="checkbox"/> INCH	DESIGN UNITS <input type="checkbox"/> mm <input checked="" type="checkbox"/> INCH	DIMENSIONS: <input type="checkbox"/> mm <input checked="" type="checkbox"/> INCH <input type="checkbox"/> INCH <input checked="" type="checkbox"/> mm	SHT REV	
		DRAWN BY & DATE BRE 02/01/30		CHECKED BY & DATE HEB 02/01/30		TITLE: PARALLEL CONNECTOR		
		APPROVED BY & DATE RWD 02/01/30		CAD FILENAME SD-19208-002 .DWG		MATERIAL NO. SEE CHART DRAWING NO. SD-19208-002		
		ANGULAR: 1/2		DRAFT WHERE APPLICABLE MUST REMAIN WITHIN DIMENSIONS		SHEET NO.		