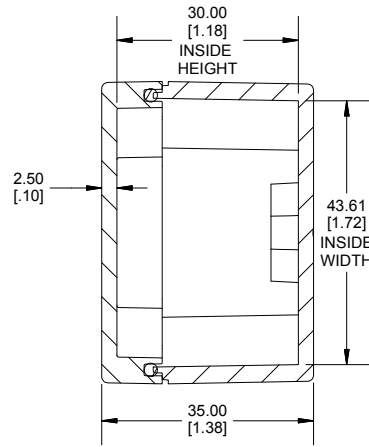
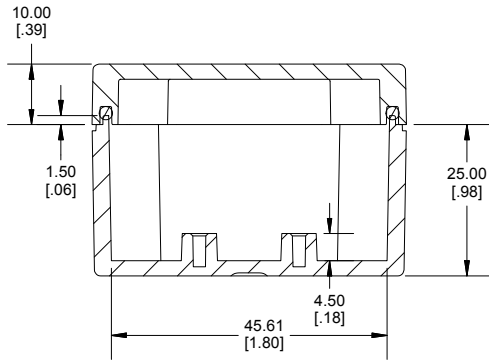


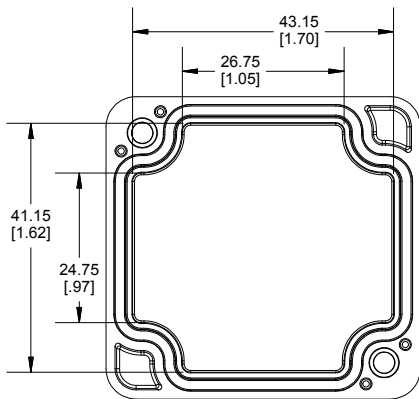
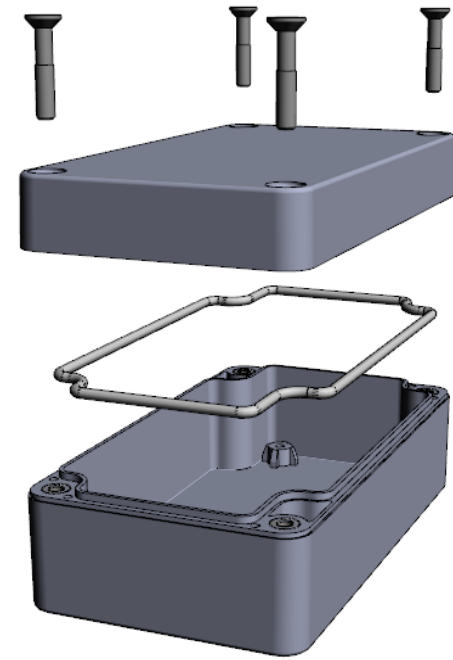
**TOP VIEW**



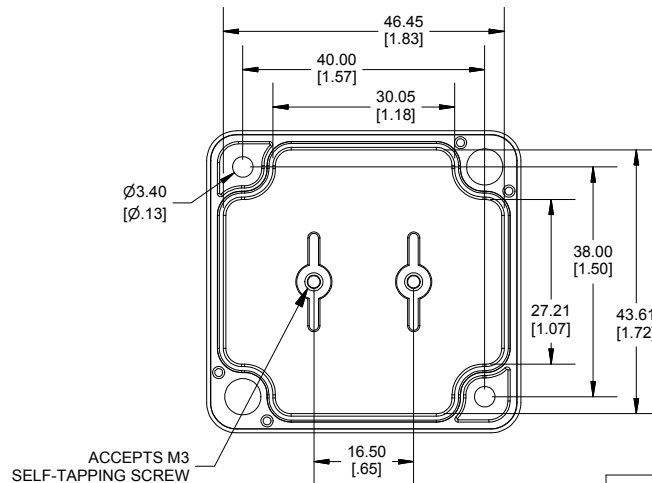
**SECTION A-A  
END VIEW**



**SECTION B-B  
SIDE VIEW**



**INSIDE LID**



**INSIDE BOX**

**Dimensions:**  
mm  
[inches]

Enclosures can be Factory Modified (Milling, Drilling, Printing etc.)  
Contact Factory (modshop@hammondmg.com) for quotes  
Solid models of this enclosure available in .stp or .x\_t  
(Part number and text placement/orientation on our products are subject to change,  
we do not recommend using them as a locating reference for modification purposes)

**NOTE**

Purchased assembly includes Box, Lid, String Gasket, 4 PCB screws, and 2 Lid screws.

**Recommended Torque : (43-50) Ozf.in / (30-35) cN.m**

<b>RZ Enclosure</b>	
Polycarbonate Off-White (UL94-V2)	RZ0250
Polycarbonate Off-White with Clear Lid (UL94-V2)	RZ0250C
General Purpose ABS Light Grey (UL94 HB)	RZ0362
General Purpose ABS Light Grey with Polycarbonate	RZ0362C
<b>ACCESSORIES</b>	
Cover Screw (M4-0.7 X 20mm) (50 Pkg)	SC618-50
PCB Screw Self Tapping (M3 X 6mm) (50 Pkg)	SC622-50
String Gasket EPDM Grey (2 Pkg)	RZ0362GASKET

**HAMMOND  
MANUFACTURING**

**RZ0250**

www.hammondmg.com