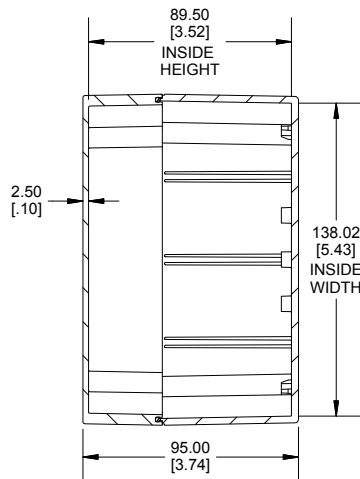
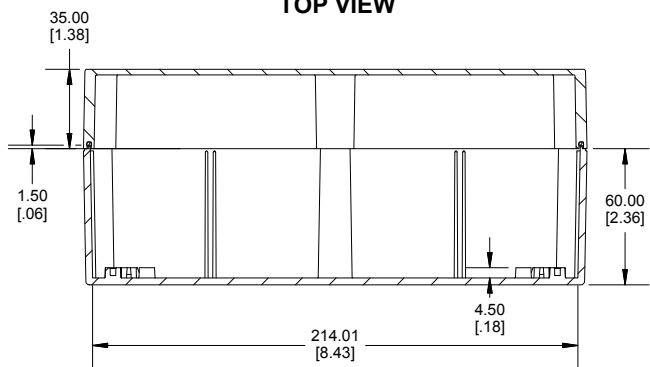
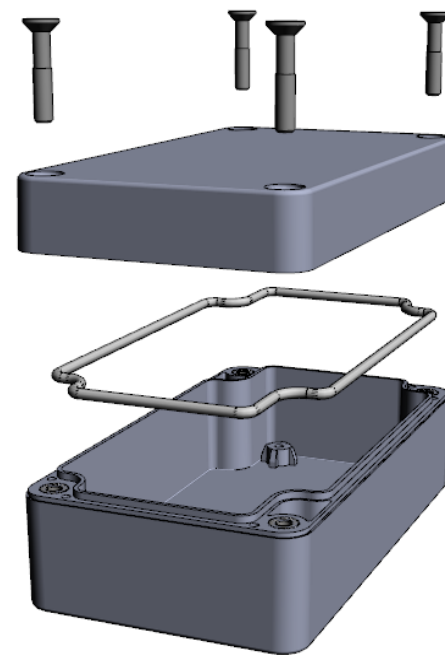


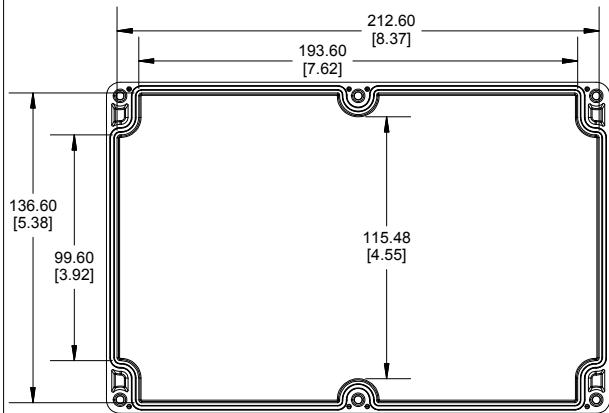
TOP VIEW



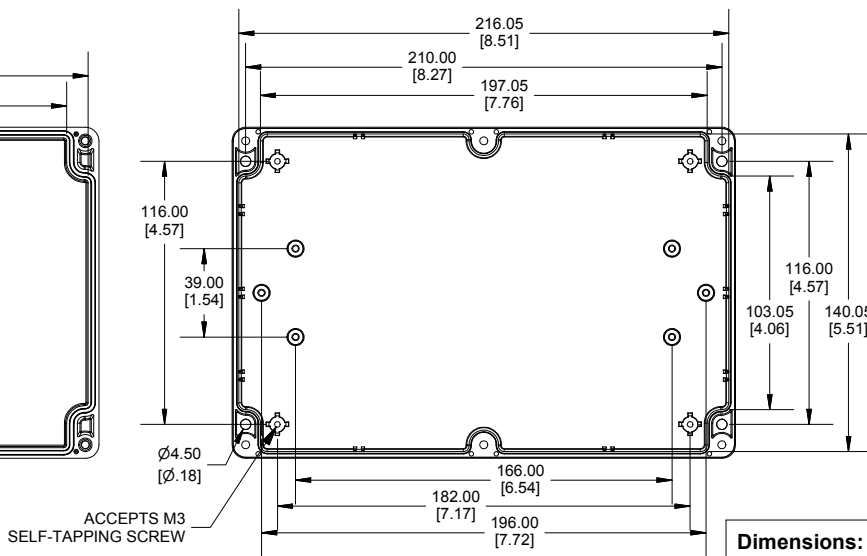
SECTION A-A  
END VIEW



SECTION B-B  
SIDE VIEW



INSIDE LID



INSIDE BOX

Dimensions:  
mm  
[inches]

Enclosures can be Factory Modified (Milling, Drilling, Printing etc.)  
Contact Factory ([modshop@hammondmfg.com](mailto:modshop@hammondmfg.com)) for quotes  
Solid models of this enclosure available in .stp or .x\_t  
(Part number and text placement/orientation on our products are subject to change,  
we do not recommend using them as a locating reference for modification purposes)

**NOTE**

Purchased assembly includes Box, Lid, String Gasket, 4 PCB screws, and 6 Lid screws.

**Recommended Torque : (43-50) Ozf.in / (30-35) cN.m**

RZ Enclosure	
Polycarbonate Off-White (UL94-V2)	RZ0232
Polycarbonate Off-White with Clear Lid (UL94-V2)	RZ0232C
General Purpose ABS Light Grey (UL94 HB)	RZ0353
General Purpose ABS Light Grey with Polycarbonate	RZ0353C
ACCESSORIES	
Cover Screw (M4-0.7 X 20mm) (50 Pkg)	SC618-50
PCB Screw Self Tapping (M3 X 6mm) (50 Pkg)	SC622-50
String Gasket EPDM Grey (2 Pkg)	RZ0353GASKET

**RZ0232**  
[www.hammondmfg.com](http://www.hammondmfg.com)