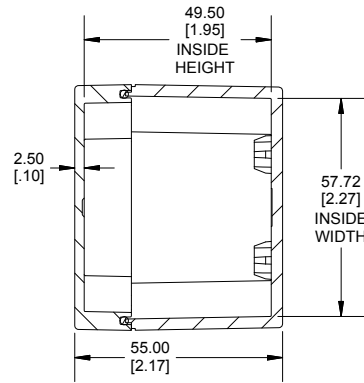
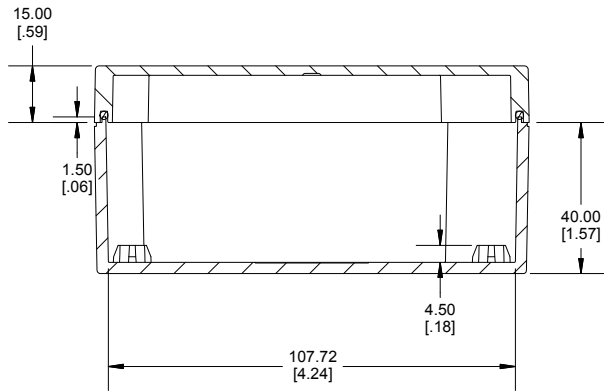


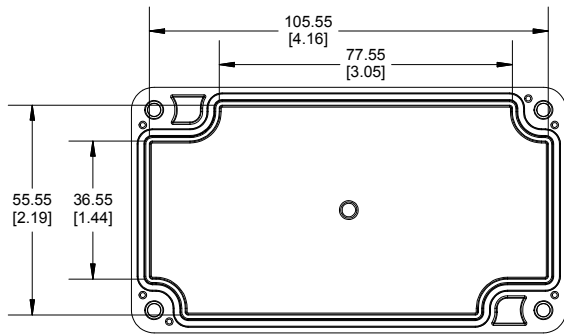
**TOP VIEW**



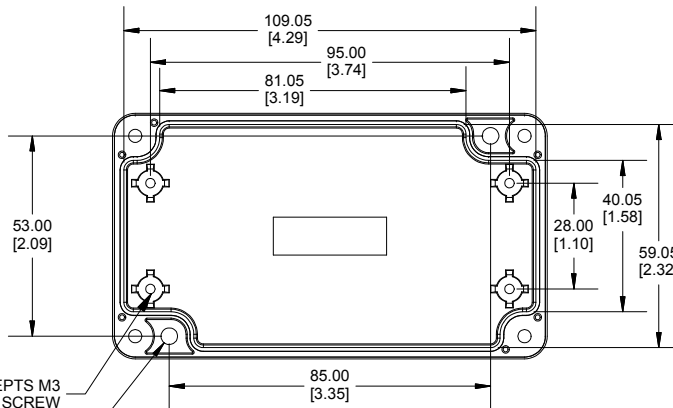
**SECTION A-A  
END VIEW**



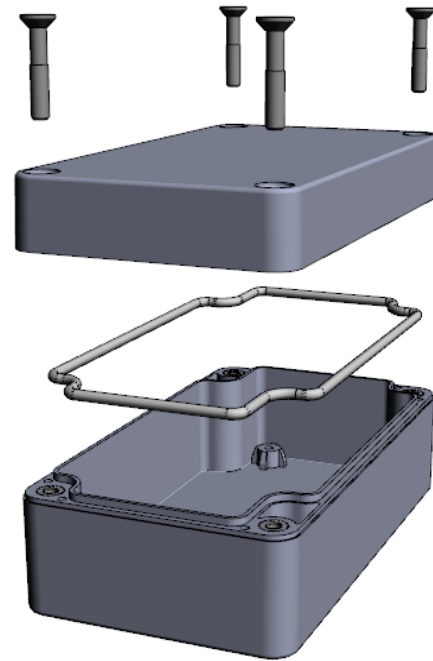
**SECTION B-B  
SIDE VIEW**



**INSIDE LID**



**INSIDE BOX**



Enclosures can be Factory Modified (Milling, Drilling, Printing etc.)  
 Contact Factory (modshop@hammondmfg.com) for quotes  
 Solid models of this enclosure available in .stp or .x\_t  
 (Part number and text placement/orientation on our products are subject to change,  
 we do not recommend using them as a locating reference for modification purposes)

**NOTE**

Purchased assembly includes Box, Lid, String Gasket, 4 PCB screws, and 4 Lid screws.

**Recommended Torque : (43-50) Ozf.in / (30-35) cN.m**

**RZ Enclosure**

Polycarbonate Off-White (UL94-V2)	RZ0205
Polycarbonate Off-White with Clear Lid (UL94-V2)	RZ0205C
General Purpose ABS Light Grey (UL94 HB)	RZ0308
General Purpose ABS Light Grey with Polycarbonate	RZ0308C
<b>ACCESSORIES</b>	
Cover Screw (M4-0.7 X 20mm) (50 Pkg)	SC618-50
PCB Screw Self Tapping (M3 X 6mm) (50 Pkg)	SC622-50
String Gasket EPDM Grey (2 Pkg)	RZ0308GASKET

**Dimensions:**  
mm  
[inches]

