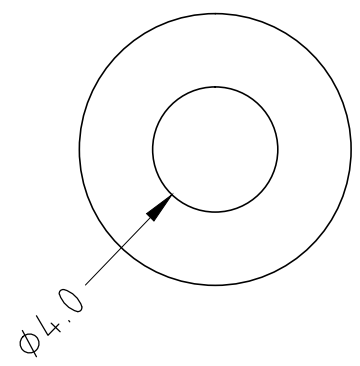
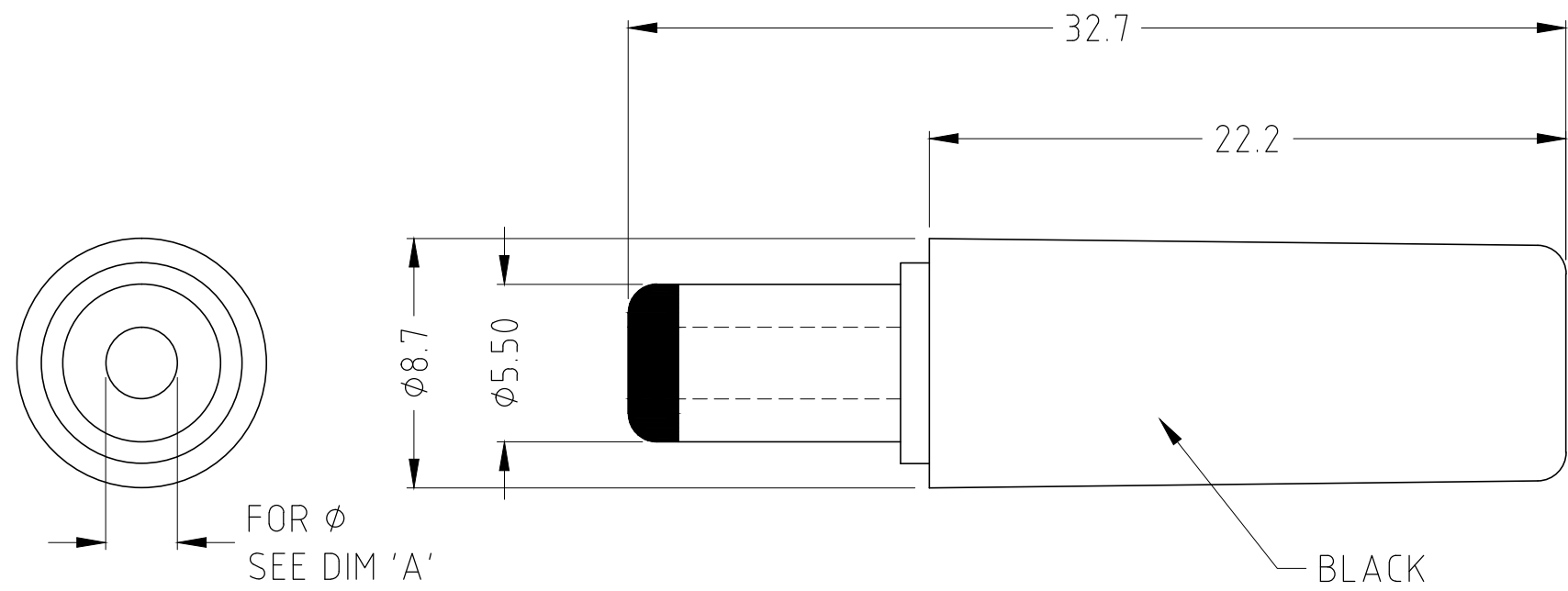
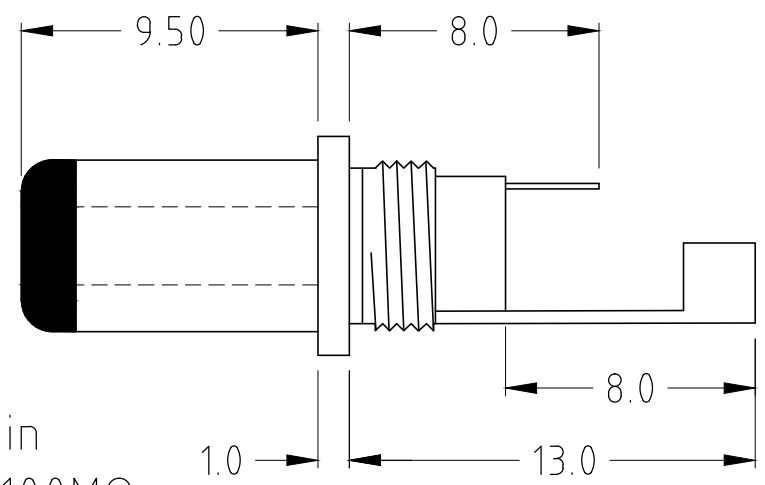


ISS.	AMEND	DATE
1	1st DRAWN	27/07/90
2	NOTE *	02/05/91
3	C MODELS ADD	01/02/94
4	F ADD, C MOD DEL	25/04/96
5	DIM D AMEND	06/02/07
6	DCPP3 B DIM ERROR	19/02/07
7	UPDATE TABLE+VIEWS	04/09/13
8	ALL OTHER VARIANTS DEL	15/06/15



PART No.	MODEL	DIM A
FC68147	DCPP1	Ø2.1
FC681471	DCPP2	Ø2.5



Nominal Rating: 12V 5A (60VA)
 Dielectric Strength: AC 500V/1min
 Insulation Resistance: DC 500V/100MΩ

RoHS COMPLIANT	
TOLERANCE	
NO DEC. PLACE	± 0.50
1 DEC. PLACE	± 0.25
2 DEC. PLACE	± 0.10
HOLE Ø ± 0.10	
ANGLES ± 1/2°	
UNLESS OTHERWISE STATED	
DO NOT SCALE	