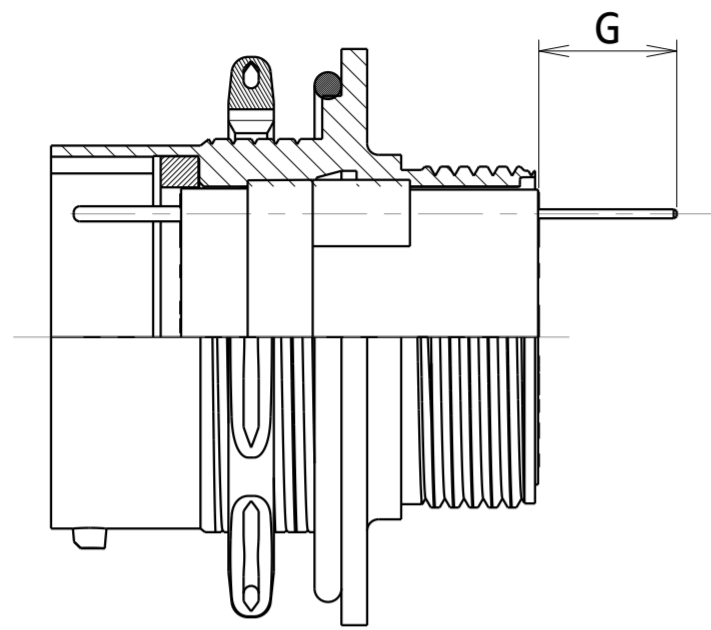
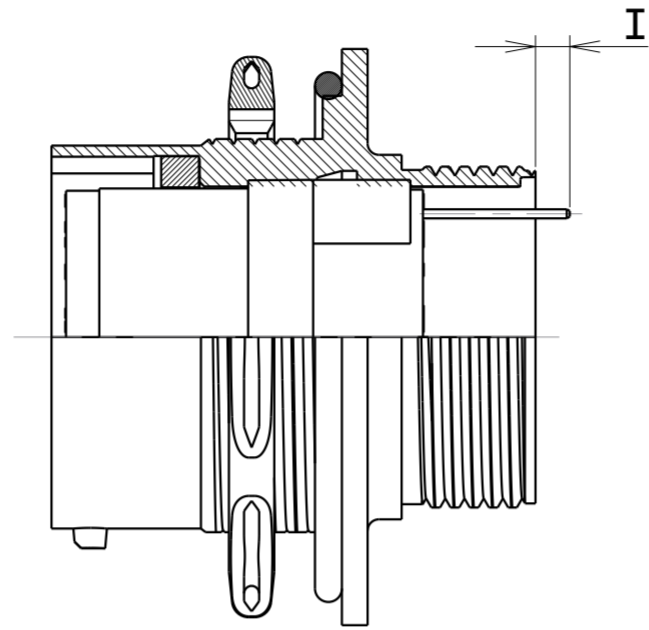


In case the connectors are equipped with dipsolder contacts

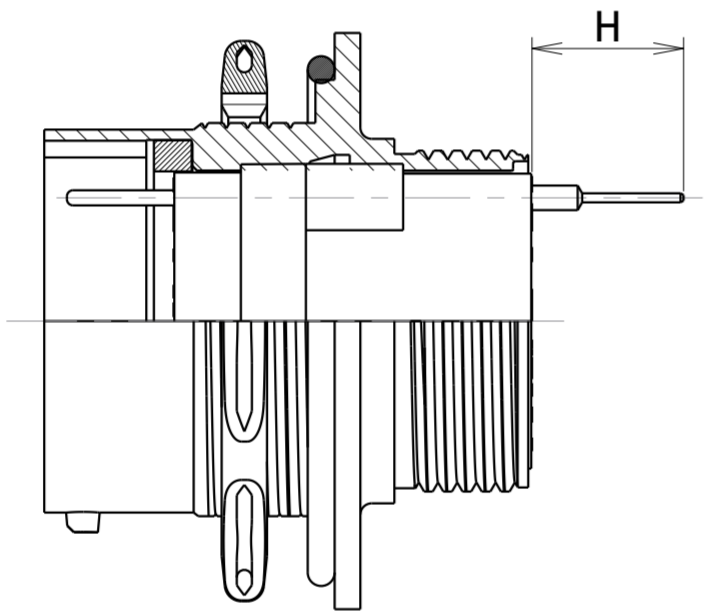
CONTACT RMW50A7* (Male)



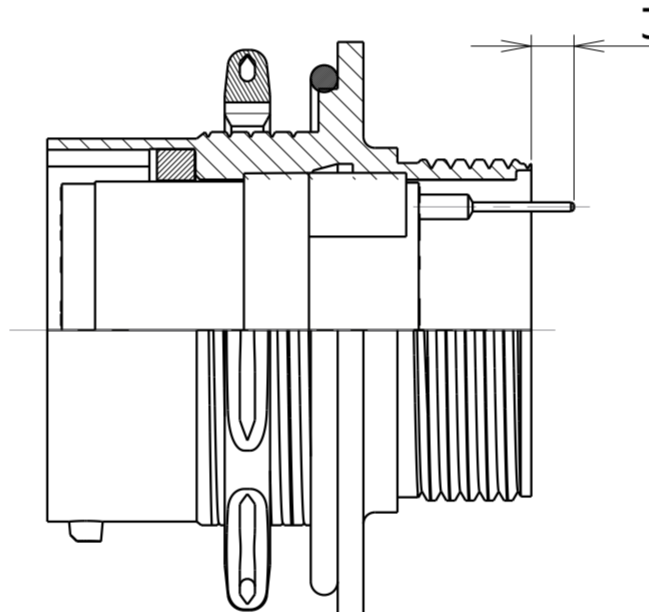
CONTACT RCW50A7* (Female)



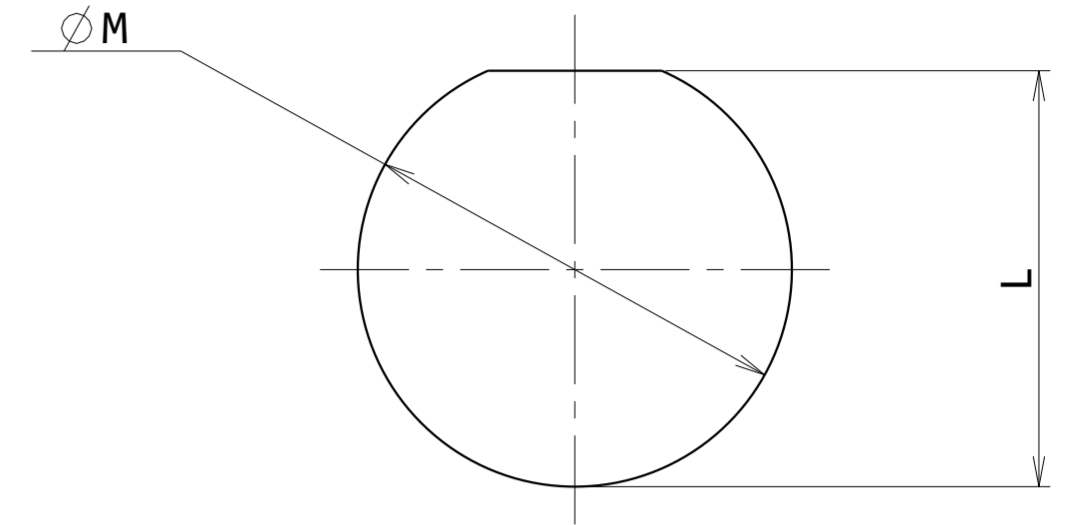
CONTACT RMW5016* (Male)



CONTACT RCW5016* (Female)



Panel Cut Out



Part Number (Male or Female)	L	∅ M
UT0W7106--H-	16.45 $\begin{smallmatrix} +0.2 \\ 0 \end{smallmatrix}$	17.30 $\begin{smallmatrix} +0.25 \\ 0 \end{smallmatrix}$
UT0W71210--H-	20.85 $\begin{smallmatrix} +0.3 \\ 0 \end{smallmatrix}$	22.10 $\begin{smallmatrix} +0.3 \\ 0 \end{smallmatrix}$
UT0W71419--H-	24.00 $\begin{smallmatrix} +0.3 \\ 0 \end{smallmatrix}$	25.40 $\begin{smallmatrix} +0.3 \\ 0 \end{smallmatrix}$
UT0W71626--H-	27.10 $\begin{smallmatrix} +0.3 \\ 0 \end{smallmatrix}$	28.20 $\begin{smallmatrix} +0.3 \\ 0 \end{smallmatrix}$
UT0W71832--H-	30.20 $\begin{smallmatrix} +0.3 \\ 0 \end{smallmatrix}$	31.70 $\begin{smallmatrix} +0.3 \\ 0 \end{smallmatrix}$
UT0W72041--H-	33.40 $\begin{smallmatrix} +0.3 \\ 0 \end{smallmatrix}$	34.70 $\begin{smallmatrix} +0.3 \\ 0 \end{smallmatrix}$
UT0W72255--H-	36.60 $\begin{smallmatrix} +0.3 \\ 0 \end{smallmatrix}$	37.80 $\begin{smallmatrix} +0.3 \\ 0 \end{smallmatrix}$
UT0W72461--H-	39.80 $\begin{smallmatrix} +0.3 \\ 0 \end{smallmatrix}$	41.10 $\begin{smallmatrix} +0.3 \\ 0 \end{smallmatrix}$

MALE CONTACTS				
Part Number	G		H	
	min	max	min	max
UT0W7106P-H-				
UT0W71210P-H-				
UT0W71419P-H-				
UT0W71626P-H-	8.2	10.1	9.1	11.0
UT0W71832P-H-				
UT0W72041P-H-				
UT0W72255P-H-				
UT0W72461P-H-				

FEMALE CONTACTS				
Part Number	I		J	
	min	max	min	max
UT0W7106S-H-				
UT0W71210S-H-				
UT0W71419S-H-	1.2	3.4	1.8	4
UT0W71626S-H-				
UT0W71832S-H-				
UT0W72041S-H-	NOT EXISTING			
UT0W72255S-H-				
UT0W72461S-H-				

Country	Jurisdiction & Control List
FR	NOT LISTED

P/N : UT0W7 _ _ _ _ _

B	23/04/2018	Updating table -> "Thread 1" become "Thread 2"		
ISS	DATE	Latest modification - by: COURTOIS L.		MOD N°
Designed by: CHANTOISEAU P.		Date: 21/10/2018		CUSTOMER DRAWING
TITLE		RECEPTACLE UT0W CONNECTOR		
Scale	1/1	General linear Tolerances: ± 0.1	NPRDS / PROJECT UT0W	
SOURIAU		WWW.SOURIAU.COM		This document is the property of SOURIAU It must not be reproduced or communicated without permission
FORMAT	A2	SOURIAU DRG N° C002-UT07-A		SHEET 2 / 2

SOURIAU shall not be liable for any non-conformity or damage due to a use of the Products which does not comply with the Specifications issued by either of the Parties or by a third party (professional recommendation, technical notice.)