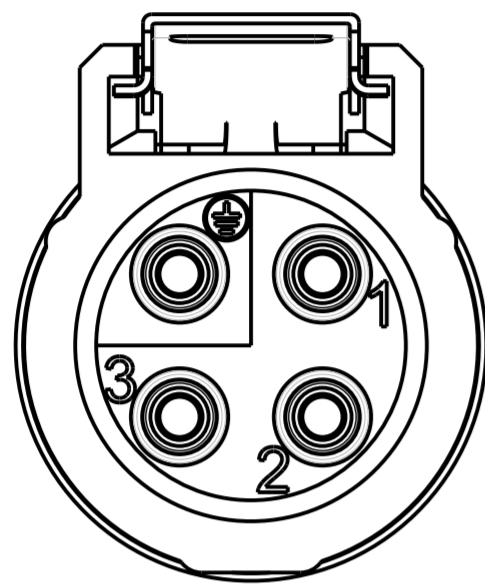
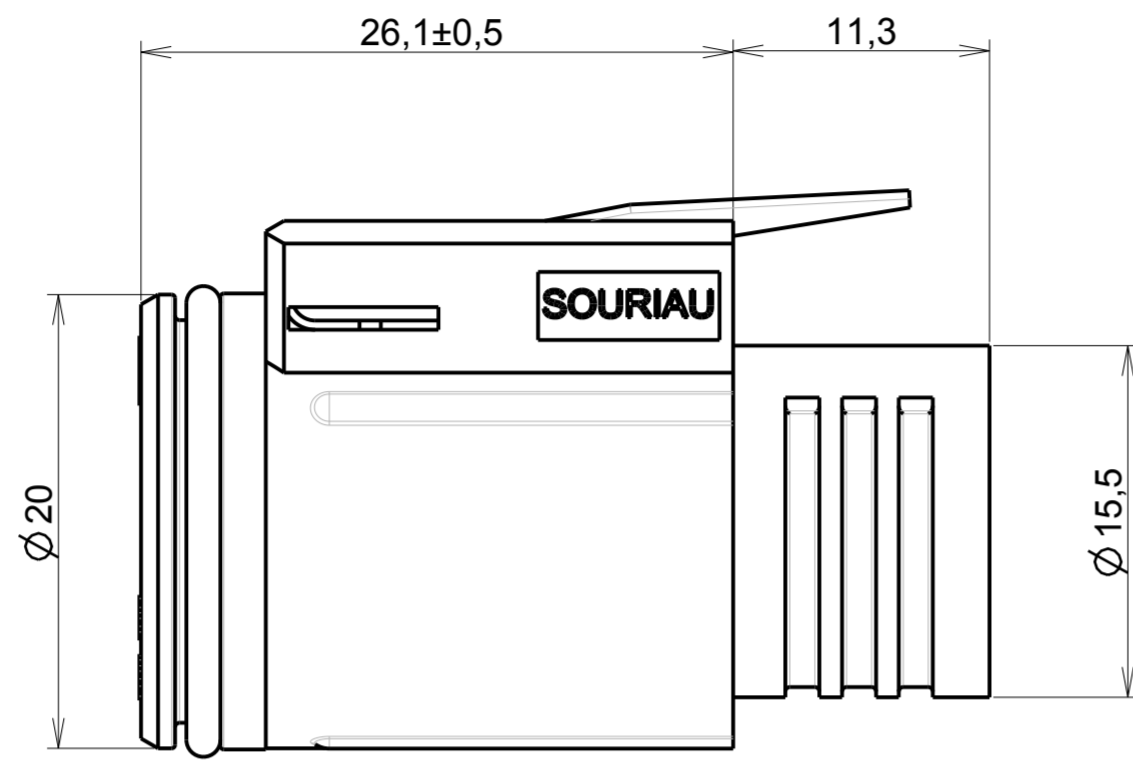
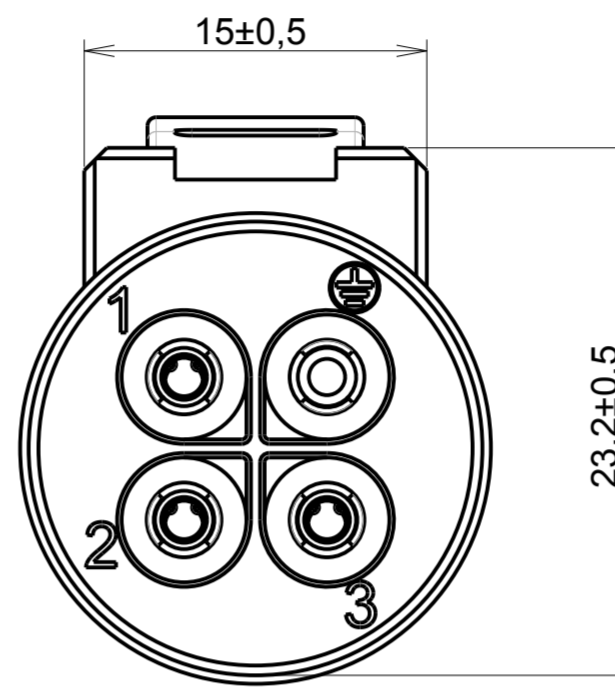


WIRING FACE



MATING FACE



ECHELLE 3/1

NOTES

MATERIALS
SHELL
COUPLING LATCH
O'RING

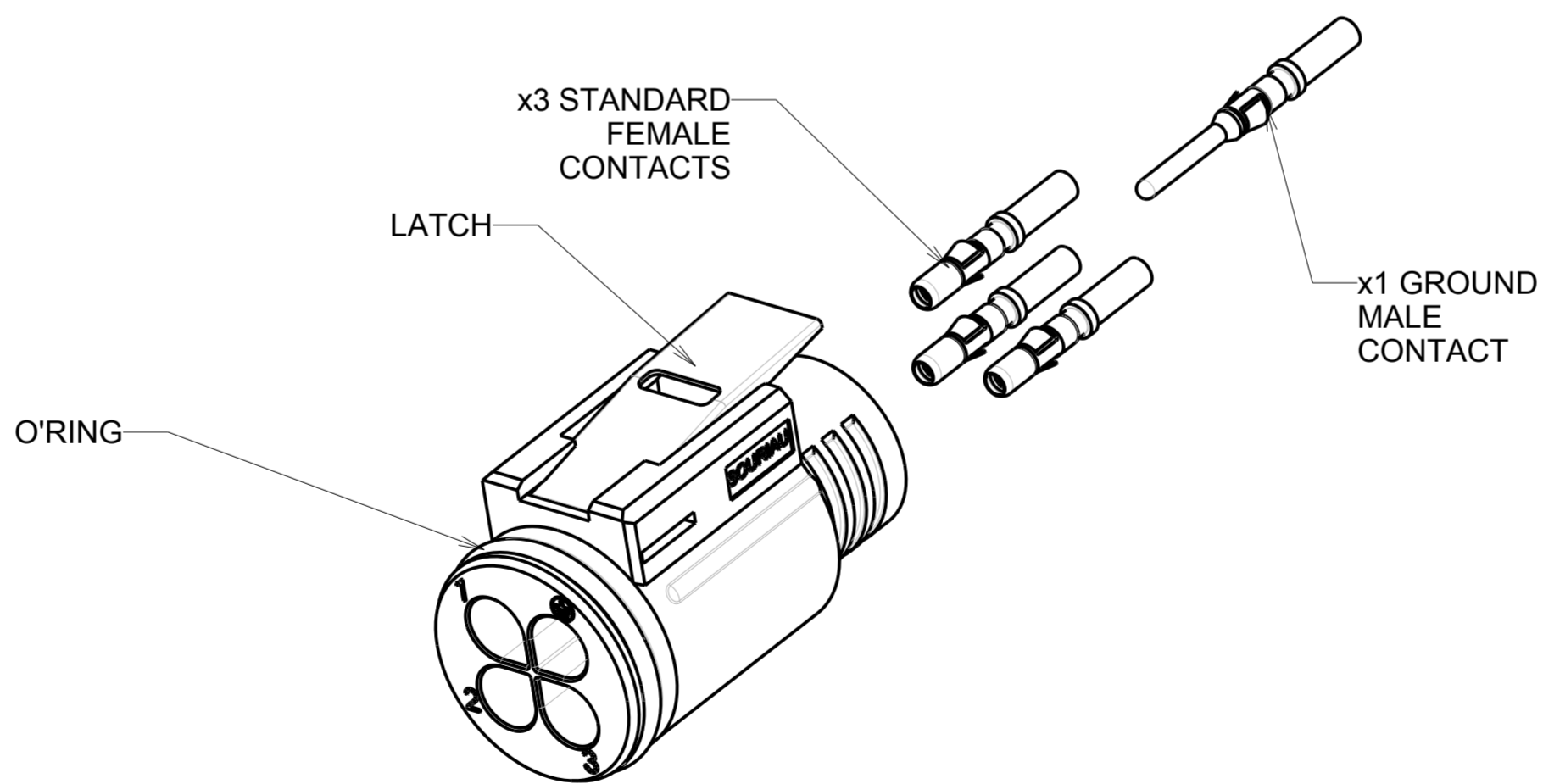
SEE TABLE
STAINLESS STEEL
LUBRICATED RED SILICON

PERFORMANCES CHARACTERISTICS

MECHANICAL		ELECTRICAL	
TEMPERATURE CLASS	IEC61984/UL1977	-40°C TO 105°C	
DURABILITY	IEC61984	500 MATE / UNMATE CYCLES	
SEALING IN MATED CONDITIONS	IEC60529 DIN40050	IP68 1BAR DURING 1WEEK IP69K	
SEALING IN UNMATED CONDITIONS	IEC60529	IP67 WITH CAPS	
OPEN FACE SEALING	IEC60529	IP67 WITH R*M25° CONTACTS	
POLLUTION DEGREE	IEC61984	4	
CORROSION SALT SPRAY		MIN 1000H	
FLAMMABILITY	UL94	MATERIAL RATING: 5VA	
OUTDOOR SUITABILITY (UV RESIST)	UL746C	MATERIAL RATING: (f1)	
SCOOP PROOF			
TOUCH PROOF		IEC60529	IP2X
NOMINAL CURRENT		UL1977	16A WITH AWG14 WIRE / 13A WITH AWG16 WIRE
NOMINAL CURRENT		IEC61984	16A WITH 2.5MM² WIRE / 13A WITH 1.5MM² WIRE AT 60°C
NOMINAL VOLTAGE		UL1977	600V
NOMINAL VOLTAGE		IEC61984	250VAC 4KV 4 FOR CLASS II
NOMINAL VOLTAGE		IEC61984	500VAC 6KV 4 FOR CLASS I
CONNECTOR BREAKING CAPACITY		UL1977	277V 13A WITH AWG14/16 WIRES
CONNECTOR BREAKING CAPACITY		IEC61984	250VAC 13A 4KV 4

ROHS COMPLIANT

- COUNTERPART REFERENCE UTL RECEPTACLE
- CONNECTORS ARE DELIVERED AS PRE-ASSEMBLED KIT
- CONNECTOR BLOCKS ACCEPTS TRIM TRIO CONTACTS #16, R*M° OR S*M° TYPES
- CONTACTS TO BE ORDERED SEPARATELY.
- WARNING: PHASE CONTACTS ARE FEMALE VERSION AND GROUND CONTACT IS MALE VERSION
- UNIT IN MM



P/N	SHELL'S MATERIAL
UTL6103G1S	POLYAMID GLASS REINFORCED BLACK COLOR
UTL6103G1S03	POLYAMID GLASS REINFORCED LIGHT GREY COLOR

P/N : SEE TABLE

d	19/11/12	Change part number customer drawing	22725
ISS	DATE	Latest modification - by: RIOUX.B	MOD N°
Designed by: RAGINE M.		Date: 06/12/11	CUSTOMER DRAWING
TITLE		FEMALE PLUG LAYOUT 4 CONTACTS UTL CONNECTOR	
Scale	1/1	General linear Tolerances: ± 0,3	NPRDS / PROJECT UTL
		WWW.SOURIAU.COM	This document is the property of SOURIAU. It must not be reproduced or communicated without permission.
FORMAT	A2	SOURIAU DRG N° UTL1-0010A-C01	SHEET 1/1