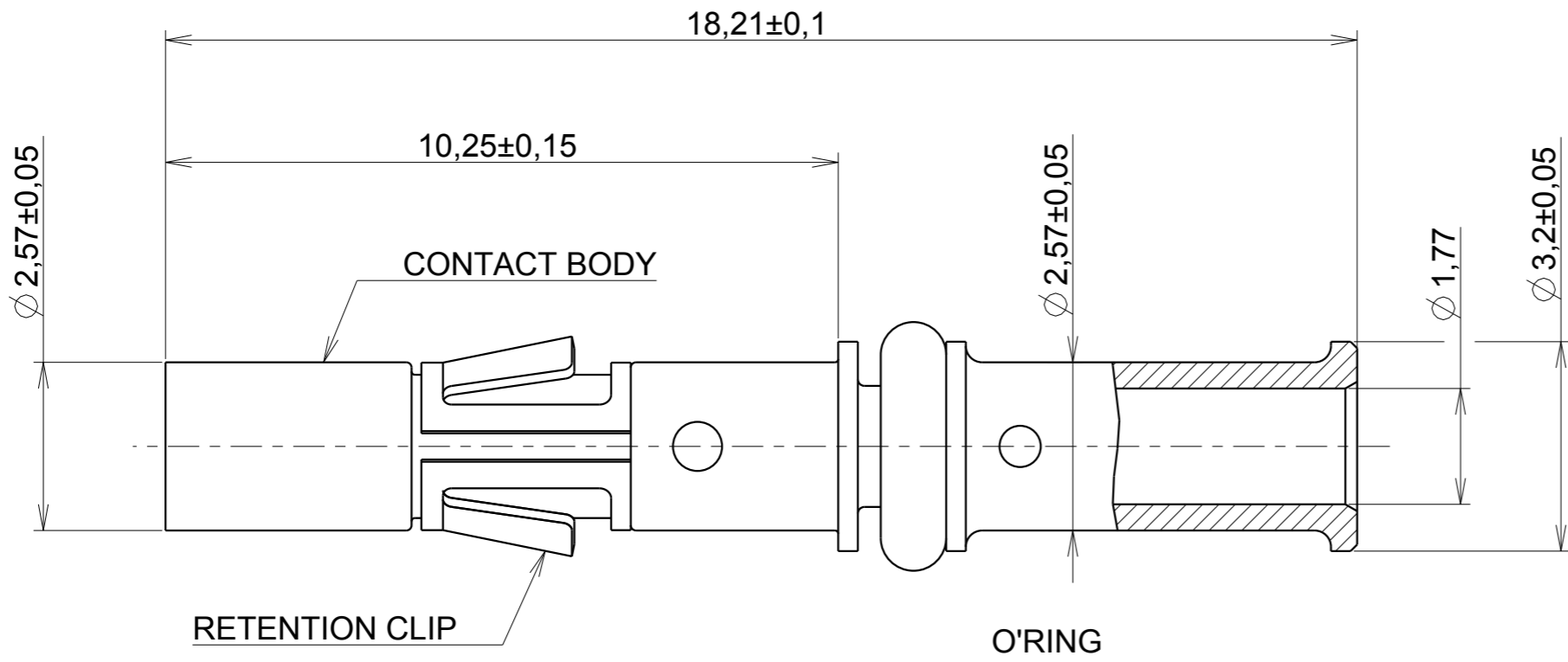


d:0:p
R:0:RL



TECHNICAL CHARACTERISTICS :

MATERIAL :

- Contact body : COPPER ALLOY
- Retention clip : BERYLLIUM COPPER
- Contact inner spring : BERYLLIUM COPPER
- O'ring : See table

PLATING :

- Contact body : Ni 2 μ mini + Gold flash all over
- Contact inner spring : Ni 2 μ mini + Gold 0,4 μ mini
- Retention clip : Unplated

PERFORMANCE CHARACTERISTICS

- Current rating : 16A maxi
- Contact resistance : $\leq 3m\Omega$
- Contact retention in insert : 110N maxi
- Individual insertion force : 4,5 N maxi
- Individual withdrawal force : 0,55 N mini

TOOLS :

- Hand tool : SHANDLES
- Die set : S16RCM1625
- Wire size : AWG 20-16
0,5 / 1,50 mm²
- Wire strip lenght = 5,5mm
- Extraction tool : RX2025GE1

CUSTOMER DRAWING

| PART NUMBER | O-RING CHARACTERISTICS | |
|-------------|------------------------|-------|
| | MATERIAL | COLOR |
| RC16M25K | NBR 70 shores | BLACK |
| RC16M26K | VMQ 70 shores | RED |

| | | | | |
|------------------------|----------|---|---------------------------|--|
| d | 20/03/14 | Update of draw : 18.21 +/-0.05 becomes 18.21 +/-0.10 | | |
| ISS | DATE | Latest modification - by: MOREAU F. | | MOD N° |
| Designed by: MOREAU F. | | Date: 16/03/12 | CUSTOMER DRAWING | |
| TITLE | | SEALED FEMALE CRIMP CONTACT | | |
| Scale | 8/1 | General linear Tolerances: ± 0.1 | NPRDS / PROJECT IC101009A | |
| SOURIAU | | WWW.SOURIAU.COM | | This document is the property of SOURIAU It must not be reproduced or communicated without permission |
| FORMAT | A3 | SOURIAU DRG N° RC16MXXX-C01 | | SHEET 1/1 |

NOT EXPORT CONTROLLED